



C30904250 DISH MOUNT ASSEMBLY (MODEL 1200 & 1800 TOWERS)

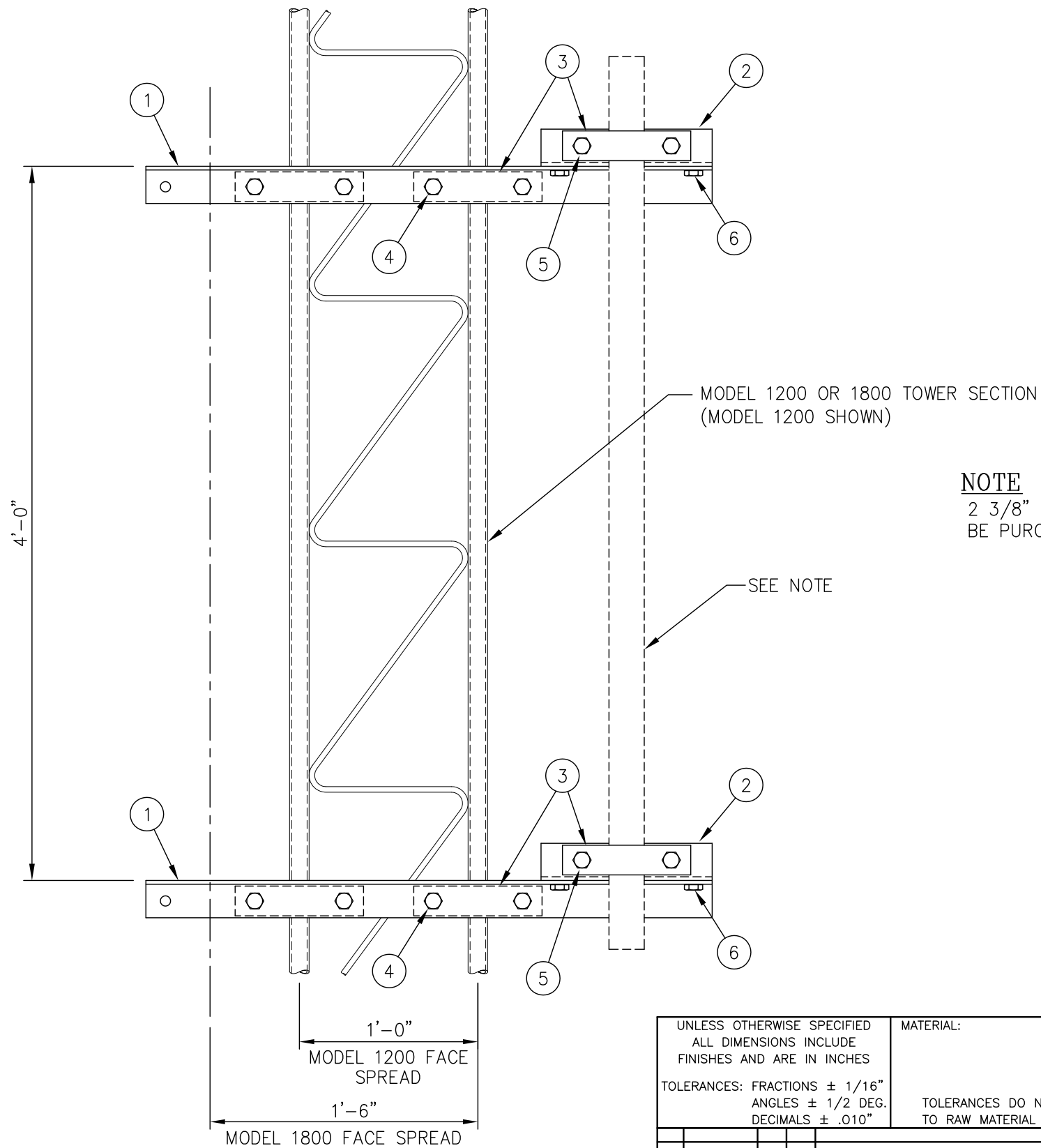
(1)	CK00045	DISH MOUNT ANGLE KIT	35.2#
(1)		MISC. ITEMS AND HARDWARE LIST	23.4#
		TOTAL WEIGHT	58.6#

CK00045 LIST OF MATERIAL

ITEM	QTY.	PART NO.	DESCRIPTION	WEIGHT
1.	2	CS00735	ANGLE, DISH MOUNT	27.0#
2.	2	CS00736	ANGLE, DISH MOUNT	8.2#
		TOTAL WEIGHT		35.2#

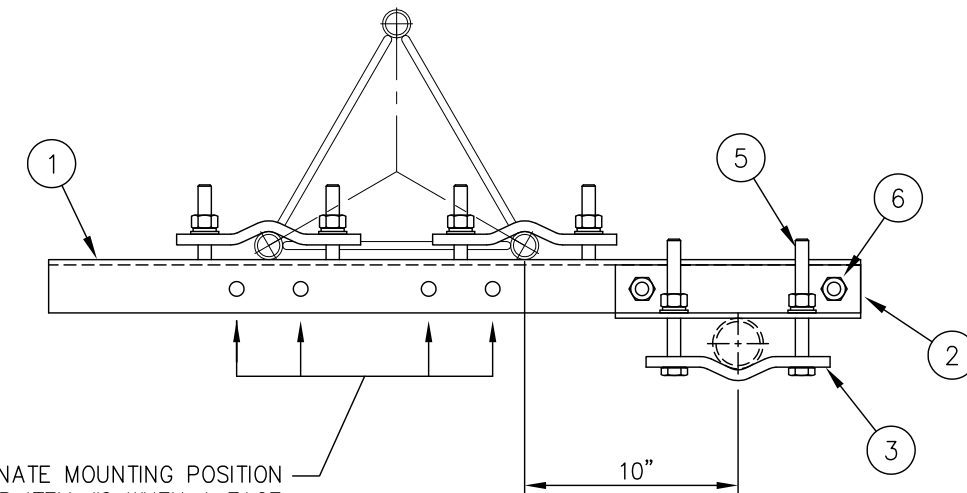
MISC. ITEMS AND HARDWARE

ITEM	QTY.	PART NO.	DESCRIPTION	WEIGHT
3.	6	CS00144	ADAPTOR CLAMP	14.4#
4.	8	C40025032	BOLT ASSEMBLY, 5/8 X 3 3/4 A449 (ALL THREAD)	4.5#
5.	4	C40025033	BOLT ASSEMBLY, 5/8 X 6 A449 (ALL THREAD)	2.9#
6.	4	C40026022	BOLT ASSEMBLY, 5/8 X 1 3/4 A325	1.6#
		TOTAL WEIGHT		23.4#



NOTE

2 3/8" O.D. MIN. TO 4 1/2" O.D. MAX. MOUNTING PIPES MUST BE PURCHASED SEPARATELY.



PLAN VIEW

ELEVATION VIEW

UNLESS OTHERWISE SPECIFIED
ALL DIMENSIONS INCLUDE
FINISHES AND ARE IN INCHES

TOLERANCES: FRACTIONS $\pm 1/16"$
ANGLES $\pm 1/2$ DEG.
DECIMALS $\pm .010"$

MATERIAL:

TOLERANCES DO NOT APPLY TO RAW MATERIAL



CONFIDENTIAL

This document and the information contained herein is the confidential trade secret property of Sabre Communications Corporation ("Sabre") and must not be reproduced, copied or used, in whole or in part, for any purpose without the prior written consent of Sabre.

© 2006 Sabre Communications Corporation. All rights reserved.

DISH MOUNT ASSEMBLY
FOR MODEL 1200 & 1800 TOWERS
(NO MOUNTING PIPE)

REV	DATE	DRW/CHK	DESCRIPTION
1	7/12/04	WRF/DLW	ADDED MAT'L LISTS & UPGRADED PART NO.'S

DATE	5/6/04	SIZE	B	DRAWING NO.	C30904250	REV	1
DRAWN BY	WRF	CHECKED BY	CE	SCALE	None	PAGE	1 OF 1