



C30904249 DISH MOUNT ASSEMBLY (MODEL 1200 & 1800 TOWERS)

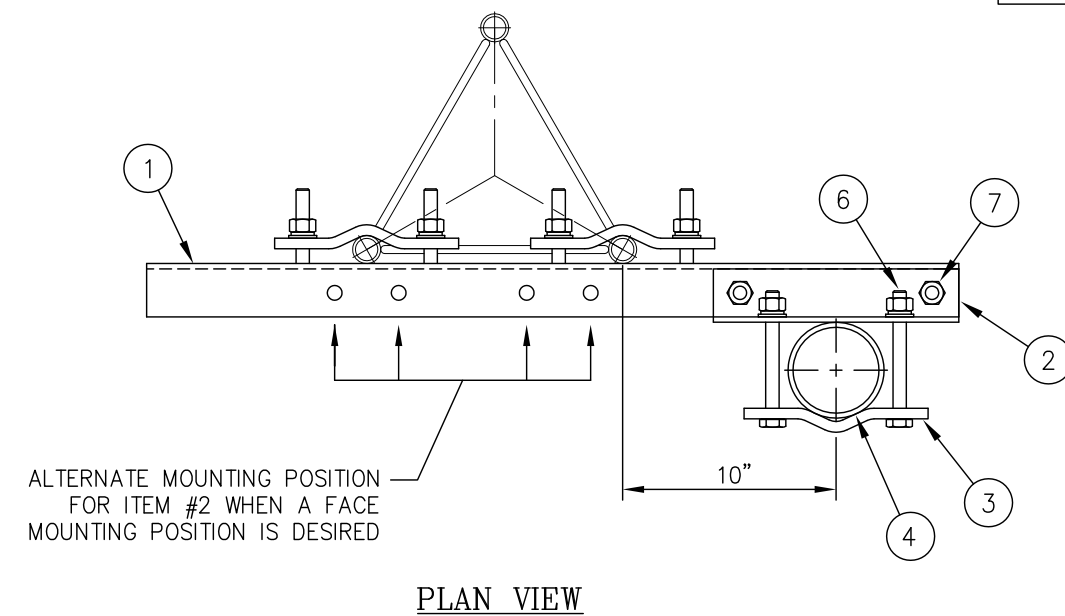
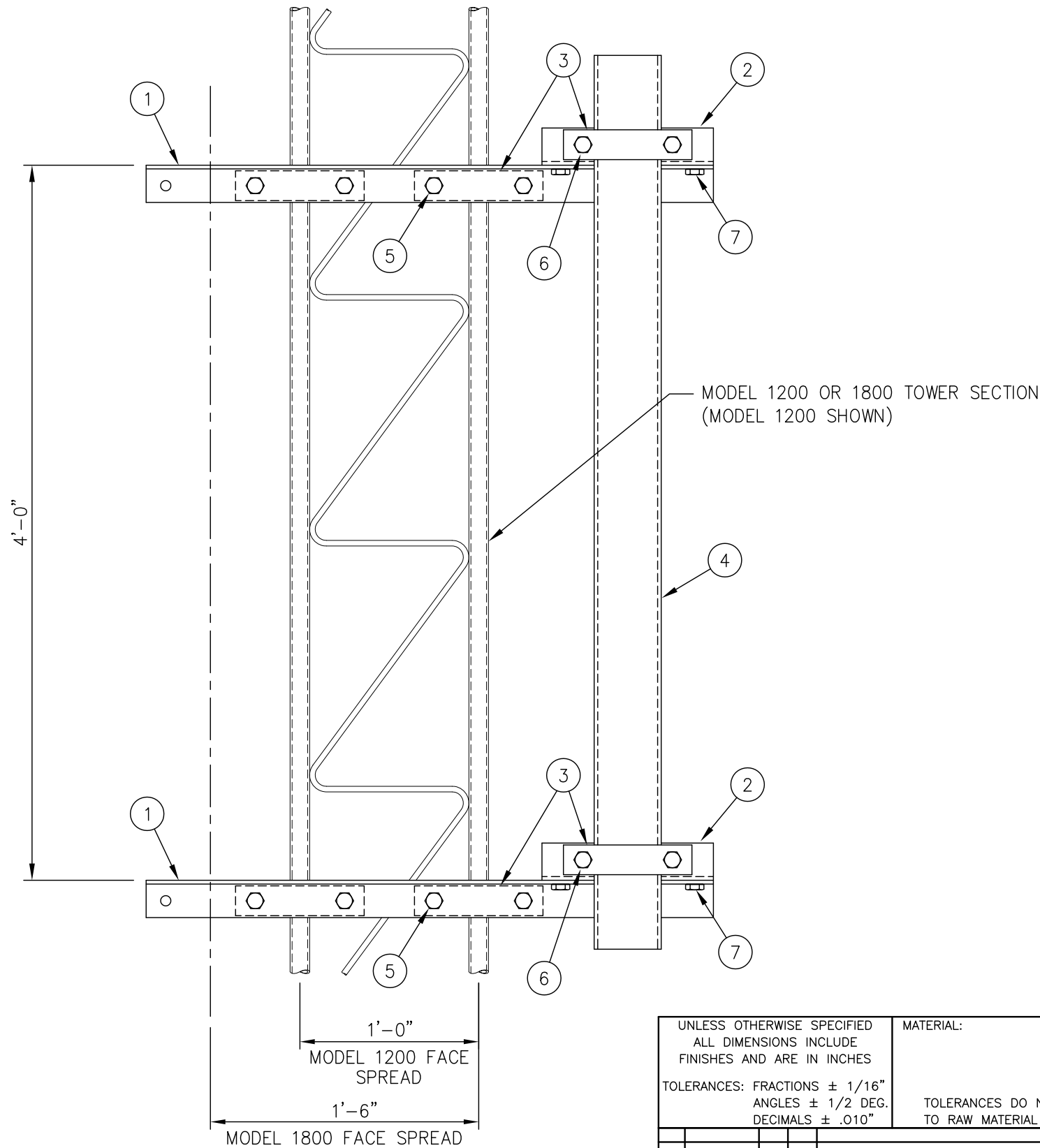
(1)	CK00045	DISH MOUNT ANGLE KIT	35.2#
(1)		MISC. ITEMS AND HARDWARE LIST	65.0#
TOTAL WEIGHT			100.2#

CK00045 LIST OF MATERIAL

ITEM	QTY.	PART NO.	DESCRIPTION	WEIGHT
1.	2	CS00735	ANGLE, DISH MOUNT	27.0#
2.	2	CS00736	ANGLE, DISH MOUNT	8.2#
TOTAL WEIGHT				35.2#

MISC. ITEMS AND HARDWARE

ITEM	QTY.	PART NO.	DESCRIPTION	WEIGHT
3.	6	CS00144	ADAPTOR CLAMP	14.4#
4.	1	C10981422	PIPE, 4 1/2" O.D. X .180" X 5'-0	41.6#
5.	8	C40025032	BOLT ASSEMBLY, 5/8 X 3 3/4 A449 (ALL THREAD)	4.5#
6.	4	C40025033	BOLT ASSEMBLY, 5/8 X 6 A449 (ALL THREAD)	2.9#
7.	4	C40026022	BOLT ASSEMBLY, 5/8 X 1 3/4 A325	1.6#
TOTAL WEIGHT				65.0#



ELEVATION VIEW

PLAN VIEW

UNLESS OTHERWISE SPECIFIED
ALL DIMENSIONS INCLUDE
FINISHES AND ARE IN INCHES

TOLERANCES: FRACTIONS $\pm 1/16"$
ANGLES $\pm 1/2$ DEG.
DECIMALS $\pm .010"$

MATERIAL:

TOLERANCES DO NOT APPLY
TO RAW MATERIAL



DISH MOUNT ASSEMBLY
FOR MODEL 1200 & 1800 TOWERS
(4 1/2" O.D. MOUNTING PIPE)

REV	DATE	DRW	CHK	DESCRIPTION
2	1/13/09	MLC	MC	REVISED PIPE (ITEM 4)
1	7/12/04	WRF	DLW	ADDED MAT'L LISTS & UPGRADED PART NO.'S

CONFIDENTIAL

This document and the information contained herein is the confidential trade secret property of Sabre Communications Corporation ("Sabre") and must not be reproduced, copied or used, in whole or in part, for any purpose without the prior written consent of Sabre.

© 2006 Sabre Communications Corporation. All rights reserved.

DATE	5/6/04	SIZE B	DRAWING NO. C30904249	REV 2
DRAWN BY	WRF			
CHECKED BY	CE	SCALE None	PAGE 1 OF 1	