

C30904248 DISH MOUNT ASSEMBLY (MODEL 1200 & 1800 TOWERS)

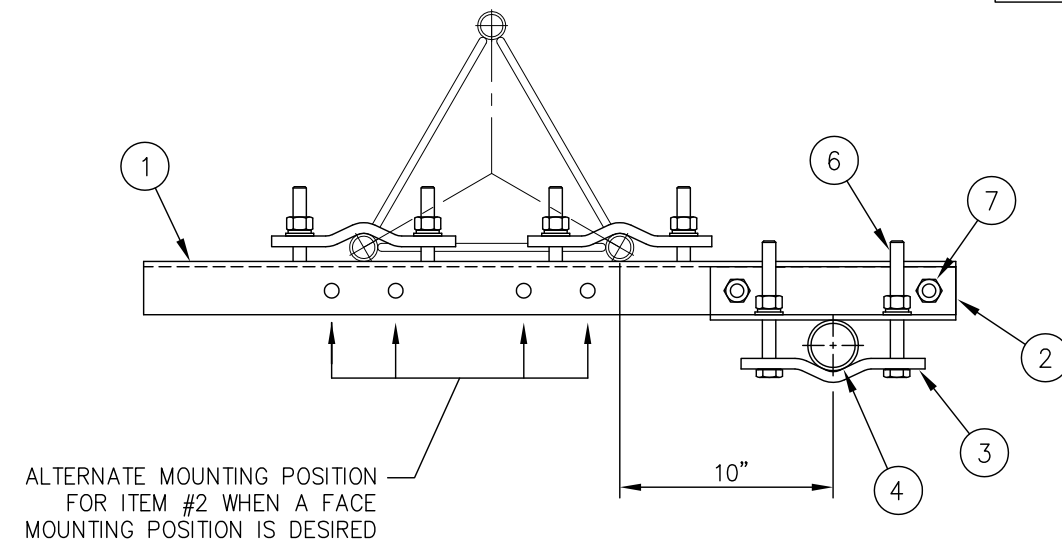
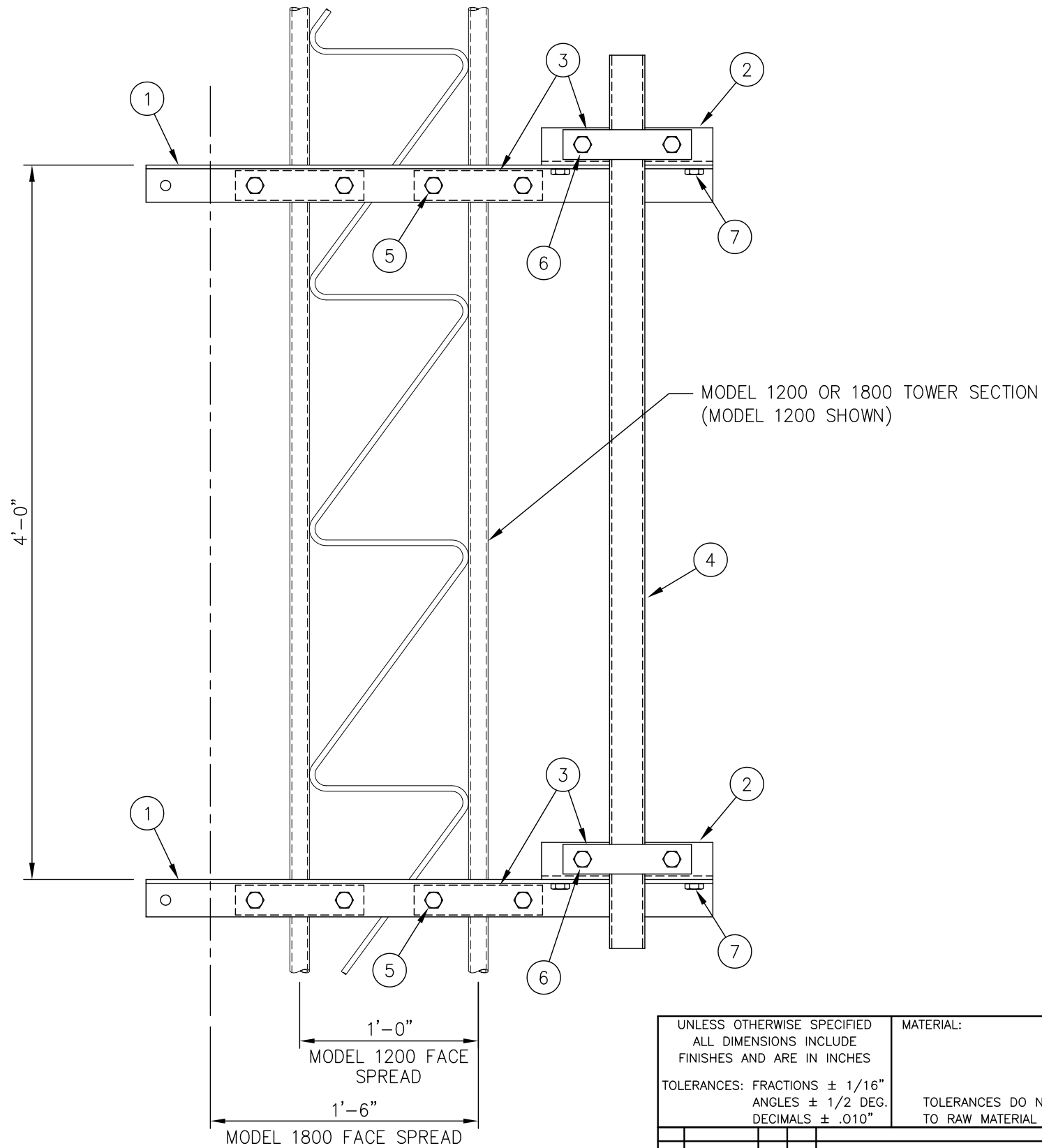
(1)	CK00045	DISH MOUNT ANGLE KIT	35.2#
(1)		MISC. ITEMS AND HARDWARE LIST	39.5#
TOTAL WEIGHT			74.7#

CK00045 LIST OF MATERIAL

ITEM	QTY.	PART NO.	DESCRIPTION	WEIGHT
1.	2	CS00735	ANGLE, DISH MOUNT	27.0#
2.	2	CS00736	ANGLE, DISH MOUNT	8.2#
TOTAL WEIGHT				35.2#

MISC. ITEMS AND HARDWARE

ITEM	QTY.	PART NO.	DESCRIPTION	WEIGHT
3.	6	CS00144	ADAPTOR CLAMP	14.4#
4.	1	C10981223	PIPE, 2 3/8" O.D. X .134" X 5'-0	16.1#
5.	8	C40025032	BOLT ASSEMBLY, 5/8 X 3 3/4 A449 (ALL THREAD)	4.5#
6.	4	C40025033	BOLT ASSEMBLY, 5/8 X 6 A449 (ALL THREAD)	2.9#
7.	4	C40026022	BOLT ASSEMBLY, 5/8 X 1 3/4 A325	1.6#
TOTAL WEIGHT				39.5#



PLAN VIEW

ELEVATION VIEW

UNLESS OTHERWISE SPECIFIED ALL DIMENSIONS INCLUDE FINISHES AND ARE IN INCHES		MATERIAL:	
TOLERANCES: FRACTIONS ± 1/16" ANGLES ± 1/2 DEG. DECIMALS ± .010"		TOLERANCES DO NOT APPLY TO RAW MATERIAL	
2	1/13/09	MLC MC	REVISED PIPE (ITEM 4)
1	7/12/04	WRF DLW	ADDED MAT'L LISTS & UPGRADED PART NO.'S
REV	DATE	DRW/CHK	DESCRIPTION

Sabre Industries™
Towers and Poles

CONFIDENTIAL
This document and the information contained herein is the confidential trade secret property of Sabre Communications Corporation ("Sabre") and must not be reproduced, copied or used, in whole or in part, for any purpose without the prior written consent of Sabre.
© 2006 Sabre Communications Corporation. All rights reserved.

DISH MOUNT ASSEMBLY FOR MODEL 1200 & 1800 TOWERS (2 3/8" O.D. MOUNTING PIPE)			
DATE	5/6/04	SIZE	B
DRAWN BY	WRF	DRAWING NO.	C30904248
CHECKED BY	CE	SCALE	None
		REV	2
		PAGE	1 OF 1