

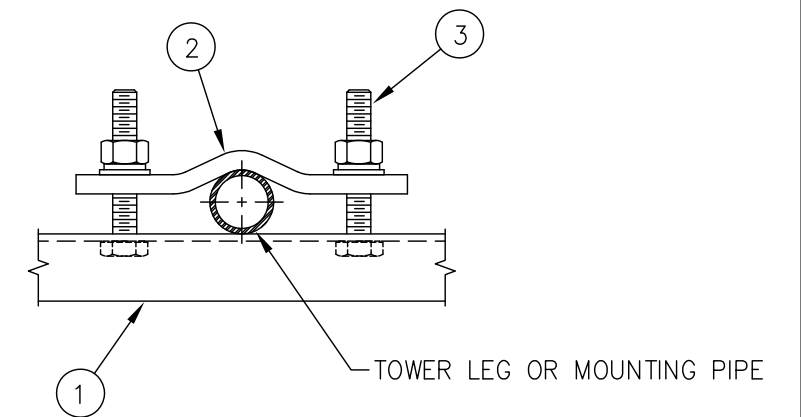
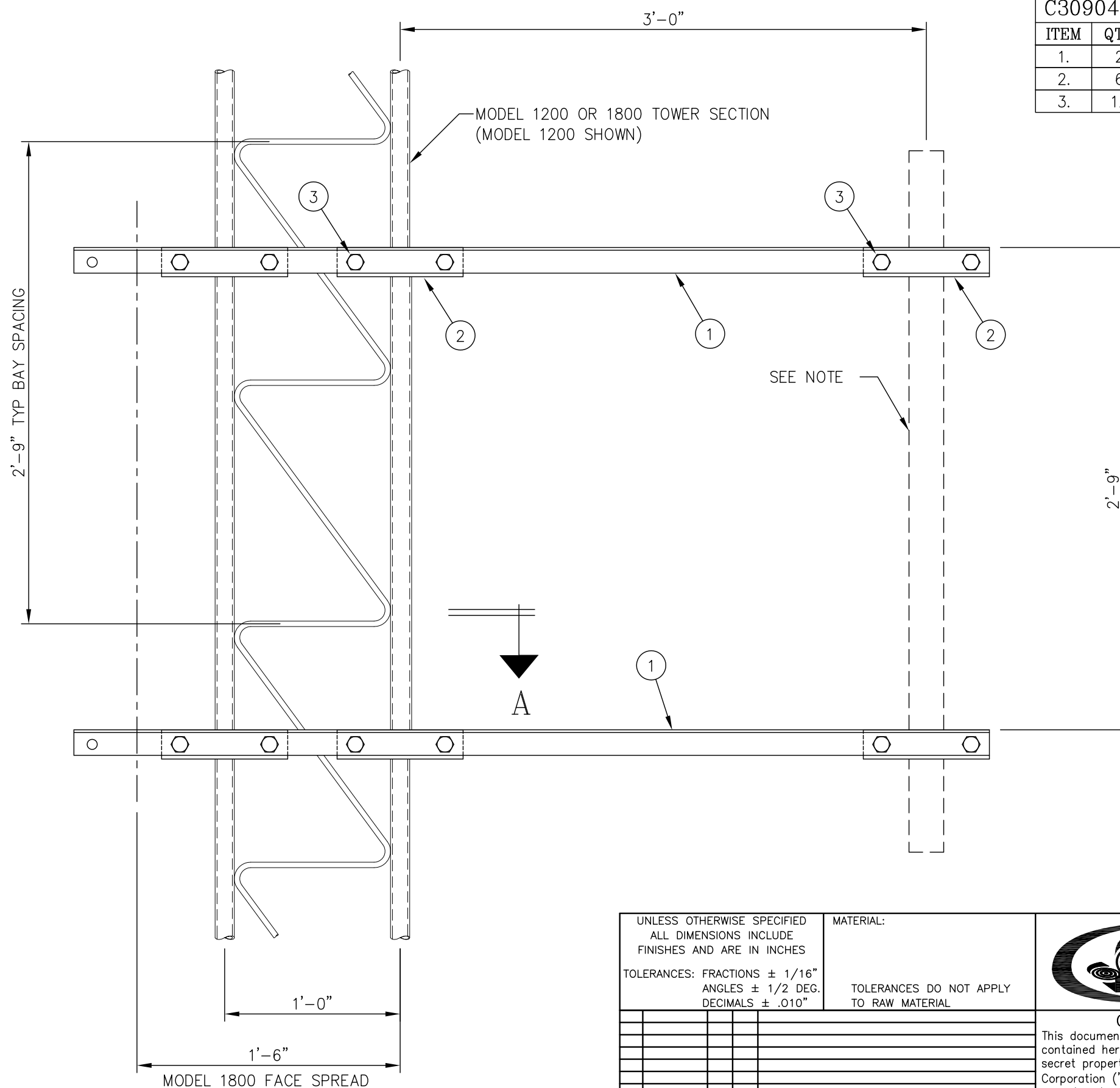


C30904162 3 FT. SIDEARM ASSEMBLY (MODELS 1200 & 1800 TOWERS)

ITEM	QTY.	PART NO.	DESCRIPTION	WEIGHT
1.	2	CS00730	ANGLE, SIDEARM	22.8#
2.	6	CS00144	ADAPTOR CLAMP	14.4#
3.	12	C40025032	BOLT ASSEMBLY, 5/8 X 3 3/4 A449 (ALL THREAD)	6.8#
TOTAL WEIGHT				44.0#

NOTE

1.9" O.D. MIN. TO 2 3/8" O.D. MAX. MOUNTING PIPES MUST BE PURCHASED SEPARATELY.



SECTION A-A
(TYPICAL 6 PLACES)

ELEVATION VIEW

UNLESS OTHERWISE SPECIFIED ALL DIMENSIONS INCLUDE FINISHES AND ARE IN INCHES		MATERIAL:	
TOLERANCES: FRACTIONS $\pm 1/16''$ ANGLES $\pm 1/2$ DEG. DECIMALS $\pm .010''$		TOLERANCES DO NOT APPLY TO RAW MATERIAL	
REV	DATE	DRW/CHK	DESCRIPTION

CONFIDENTIAL
This document and the information contained herein is the confidential trade secret property of Sabre Communications Corporation ("Sabre") and must not be reproduced, copied or used, in whole or in part, for any purpose without the prior written consent of Sabre.
© 2006 Sabre Communications Corporation. All rights reserved.

3 FT. SIDEARM ASSEMBLY FOR MODEL 1200 AND 1800 TOWERS (NO ANTENNA MOUNTING PIPE)			
DATE	05/03/04	SIZE	B
DRAWN BY	WRF	DRAWING NO.	C30904162
CHECKED BY	CHH	SCALE	None
		PAGE	1 OF 1
		REV	0