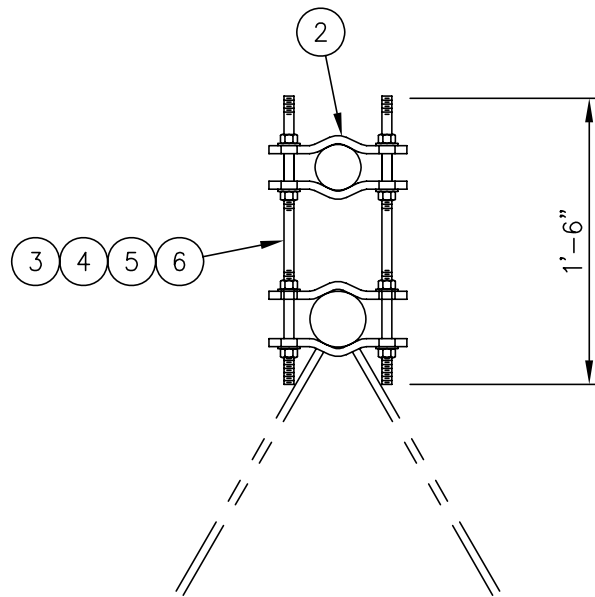


LIGHTNING ROD MUST BE PURCHASED SEPARATELY



SECTION A-A

**NOTES:**

1. THE ASSEMBLY IS SHOWN ON THE OUTSIDE OF THE TOWER. IT MAY ALSO BE MOUNTED ON THE INSIDE OF THE TOWER IF SO DESIRED.

ITEM	QTY.	DWG. NO.	DESCRIPTION	WEIGHT	APPROX. GALV. WEIGHT
6.	8	C40031003	FLATWASHER, 5/8"φ	0.6#	92.1#
5.	8	C40030012	LOCKWASHER, 5/8"φ	0.2#	
4.	8	C40042007	NUT, 5/8"φ A194 GRADE 2H	1.0#	
3.	4	C40099003	ASTM A193 GR B7 THR'D ROD ASS'Y., 5/8"φ X 1'-6"	6.7#	
2.	8	CS00144	2 HOLE PIPE ADAPTER CLAMP, 1 1/2" TO 5" O.D.	19.2#	
1.	1	CW00033	LIGHTNING ROD EXTENSION 2 7/8" O.D. X 10'-6"	64.4#	

**LIST OF MATERIAL**

UNLESS OTHERWISE SPECIFIED  
ALL DIMENSIONS INCLUDE FINISHES AND ARE IN INCHES  
  
TOLERANCES: FRACTIONS ± 1/16"  
ANGLES ± 1/2 DEG.  
DECIMALS ± .010"

**MATERIAL:**  
  
TOLERANCES DO NOT APPLY TO RAW MATERIAL



**CONFIDENTIAL**  
This document and the information contained herein is the confidential trade secret property of Sabre Communications Corporation ("Sabre") and must not be reproduced, copied or used, in whole or in part, for any purpose without the prior written consent of Sabre.  
© 2007 Sabre Communications Corporation. All rights reserved.

**ADJUSTABLE LIGHTNING ROD EXTENSION FOR STRAIGHT OR TAPERED LEGS (FITS 1 1/2" TO 5" O.D. LEGS)**

REV	DATE	DRW/CHK	DESCRIPTION
1	4/7/03	CE/DLW	UPDATED PART NO.'S

DATE	12/6/00	SIZE	B	DRAWING NO.	C30087002	REV	1
DRAWN BY	KLE						
CHECKED BY	BCT			SCALE	None	PAGE	1 OF 1