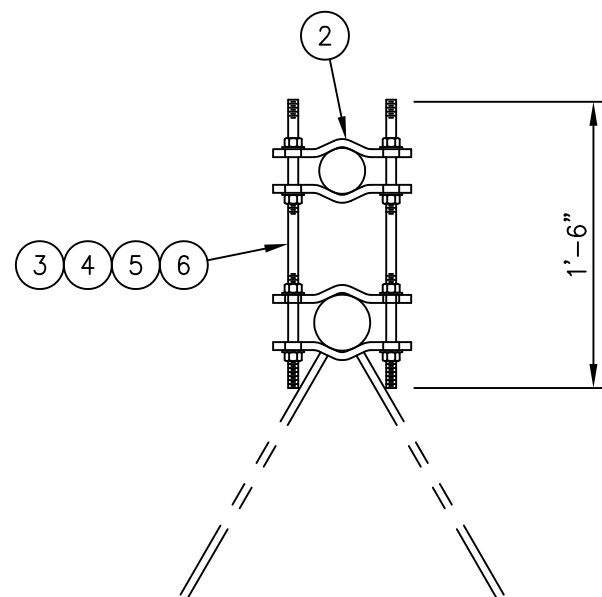


LIGHTNING ROD MUST
BE PURCHASED SEPARATELY



SECTION A-A

NOTES:

1. THE ASSEMBLY IS SHOWN ON THE OUTSIDE OF THE TOWER. IT MAY ALSO BE MOUNTED ON THE INSIDE OF THE TOWER IF SO DESIRED.

ITEM	QTY.	DWG. NO.	DESCRIPTION	APPROX. GALV. WEIGHT	WEIGHT
6.	8	C40031003	FLATWASHER, 5/8"φ		0.6#
5.	8	C40030012	LOCKWASHER, 5/8"φ		0.2#
4.	8	C40042007	NUT, 5/8"φ A194 GRADE 2H		1.0#
3.	4	C40099003	ASTM A193 GR B7 THR'D ROD ASS'Y., 5/8"φ X 1'-6"		6.7#
2.	8	CS00144	2 HOLE PIPE ADAPTER CLAMP, 1 1/2" TO 5" O.D.		19.2#
1.	1	CW00032	LIGHTNING ROD EXTENSION 2 7/8" O.D. X 21'-0"		127.6#

LIST OF MATERIAL

UNLESS OTHERWISE SPECIFIED ALL DIMENSIONS INCLUDE FINISHES AND ARE IN INCHES			MATERIAL:
TOLERANCES: FRACTIONS ± 1/16" ANGLES ± 1/2 DEG. DECIMALS ± .010"			TOLERANCES DO NOT APPLY TO RAW MATERIAL
1	4/7/03	CE/DLW	UPDATED PART NO.'S
REV	DATE	DRW/CHK	DESCRIPTION

CONFIDENTIAL

This document and the information contained herein is the confidential trade secret property of Sabre Communications Corporation ("Sabre") and must not be reproduced, copied or used, in whole or in part, for any purpose without the prior written consent of Sabre.
© 2007 Sabre Communications Corporation. All rights reserved.

**ADJUSTABLE LIGHTNING ROD EXTENSION
FOR STRAIGHT OR TAPERED LEGS
(FITS 1 1/2" TO 5" O.D. LEGS)**

DATE	12/6/00	SIZE B	DRAWING NO. C30087001	REV	1
DRAWN BY	KLE			SCALE	PAGE
CHECKED BY	BCT	None	1 OF 1		