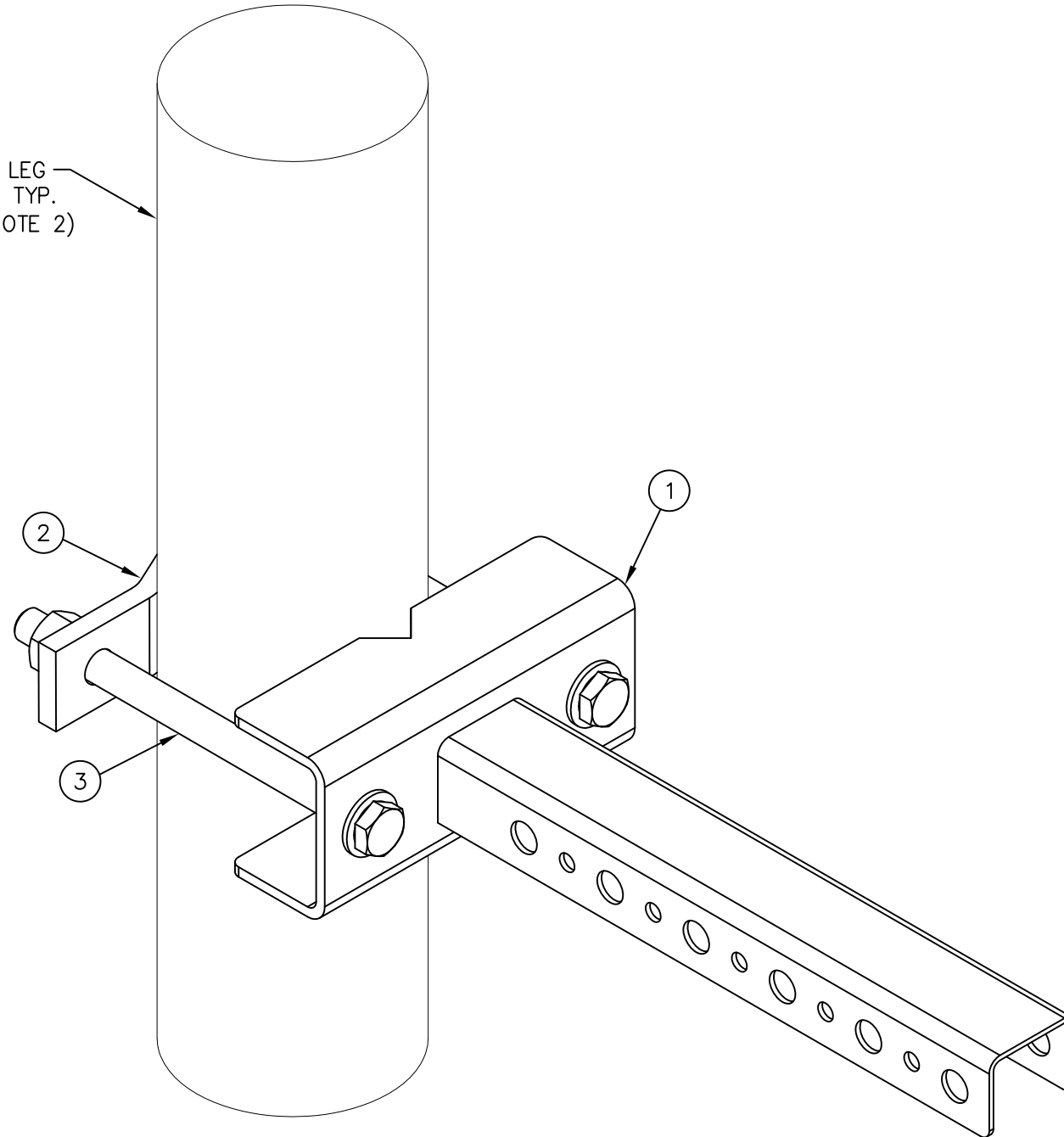




C20150102 LEG MOUNTED WAVEGUIDE SUPPORT KIT

ITEM	QTY.	PART NO.	DESCRIPTION	WEIGHT
1.	1	CW00524	WELDMENT, LEG MOUNTED WAVEGUIDE SUPPORT	10#
2.	1	CS01361	PLATE, 2 HOLE ADAPTER CLAMP	3#
3.	2	C40140005	BOLT ASSEMBLY, 3/4 X 10 A307 W/FULL THREAD	3#
TOTAL WEIGHT				16#

TOWER LEG SHOWN TYP. (SEE NOTE 2)



NOTES:

1. QUANTITIES SHOWN IN THE LIST OF MATERIAL ARE FOR ONE WAVEGUIDE SUPPORT KIT ONLY.
2. THIS WAVEGUIDE SUPPORT KIT WILL MOUNT TO THE FOLLOWING TOWER LEG SIZES:
 - 1 1/4"Ø TO 5 9/16"Ø ROUND LEG
 - L 2 1/2 X 2 1/2 TO L 4 X 4 ANGLE LEG

ISOMETRIC VIEW

UNLESS OTHERWISE SPECIFIED ALL DIMENSIONS INCLUDE FINISHES AND ARE IN INCHES		MATERIAL:	
TOLERANCES: FRACTIONS ± 1/16" ANGLES ± 1/2 DEG. DECIMALS ± .010"		TOLERANCES DO NOT APPLY TO RAW MATERIAL	
REV	DATE	DRW/CHK	DESCRIPTION
1	10/31/11	DLK/RWM	CHANGED BOLTS TO FULL THREAD (WAS 6" THREAD)



CONFIDENTIAL
This document and the information contained herein is the confidential trade secret property of Sabre Communications Corporation ("Sabre") and must not be reproduced, copied or used, in whole or in part, for any purpose without the prior written consent of Sabre.
© 2011 Sabre Communications Corporation. All rights reserved.

LEG MOUNTED WAVEGUIDE SUPPORT
(1 1/2"Ø TO 5 9/16"Ø ROUND LEG)
(2 1/2" X 2 1/2" TO 4" X 4" ANGLE LEG)

DATE	6/14/07	SIZE	B	DRAWING NO.	C20150102	REV	1
DRAWN BY	MLC	CHECKED BY	MC	SCALE	None	PAGE	1 OF 1