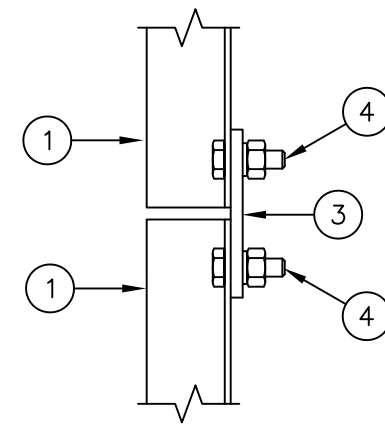




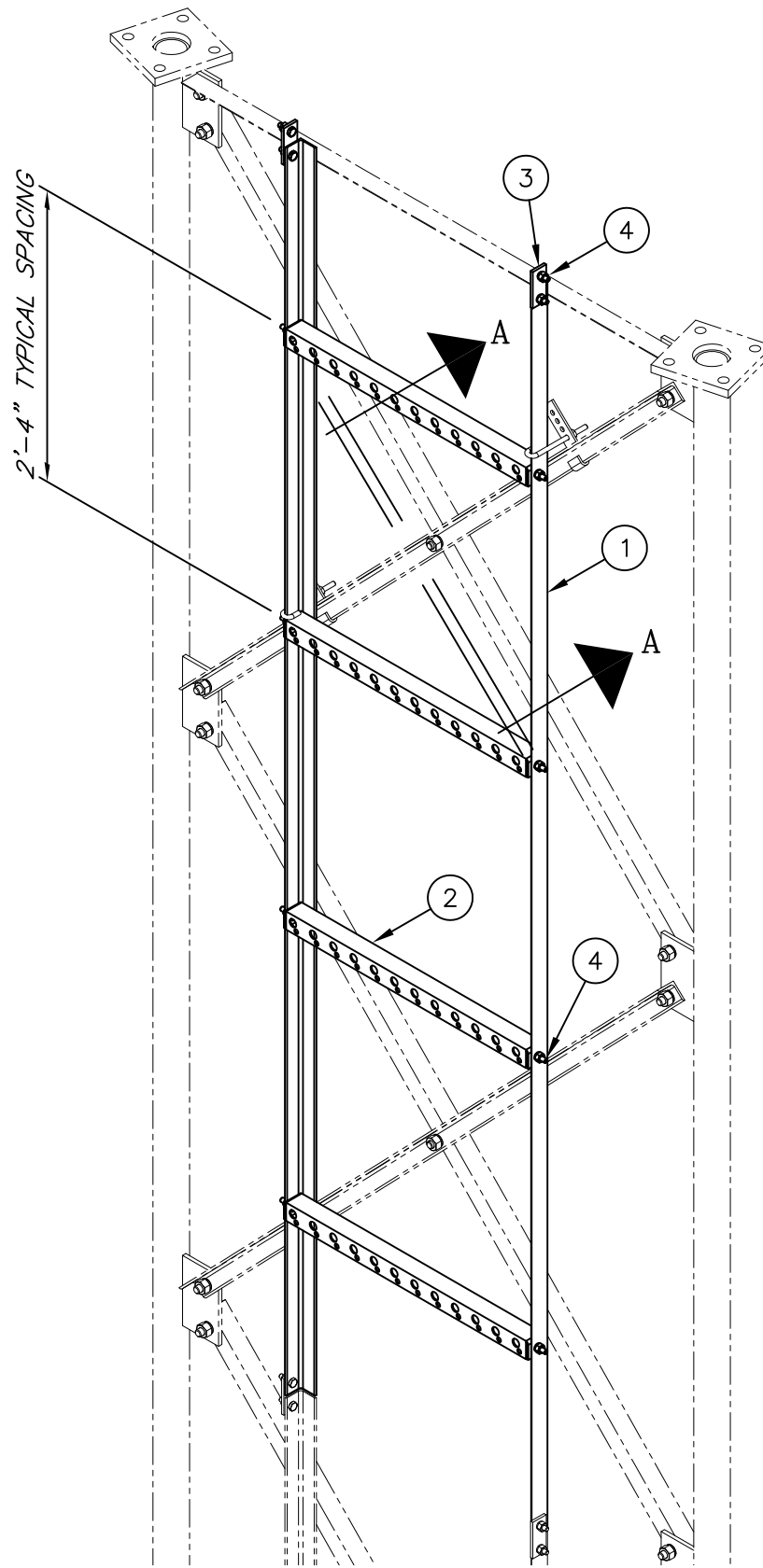
C20128011 12 HOLE WAVEGUIDE LADDER KIT

ITEM	QTY.	PART NO.	DESCRIPTION	WEIGHT
1.	2	CS00332	WAVEGUIDE LADDER RAIL, 10'-0"	30
2.	4	CS00151	WAVEGUIDE LADDER RUNG, 12 HOLE	15
3.	2	CS00037	SPLICE PLATE	1
4.	12	C40024004	BOLT ASSEMBLY, 3/8 X 1 1/2 GRADE 5	1
TOTAL WEIGHT				47

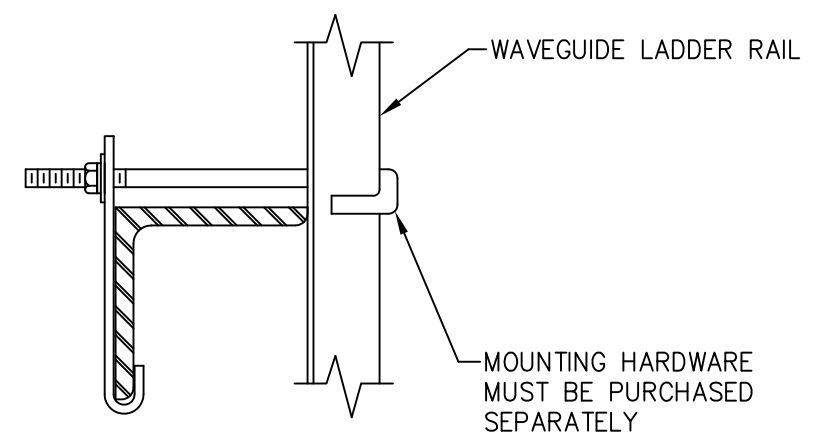


SPlice DETAIL

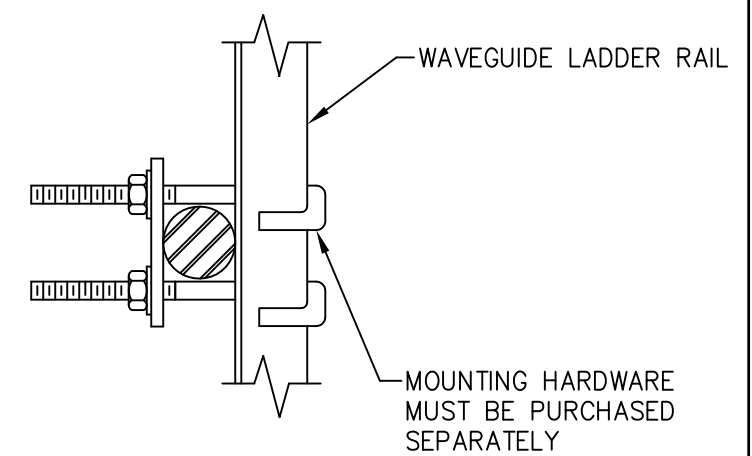
NOTE:
MAXIMUM SPACING OF LADDER CLIPS UP THE TOWER TO BE 10'-0".



ISOMETRIC VIEW



SECTION A-A
(MOUNTING OPTION 1)
(FOR ANGLE 1 1/2" TO 6")



SECTION A-A
(MOUNTING OPTION 2)
(FOR ROUNDS 3/4" TO 1 1/2")

UNLESS OTHERWISE SPECIFIED
ALL DIMENSIONS INCLUDE
FINISHES AND ARE IN INCHES

TOLERANCES: FRACTIONS $\pm 1/16"$
ANGLES $\pm 1/2$ DEG.
DECIMALS $\pm .010"$

MATERIAL:

TOLERANCES DO NOT APPLY
TO RAW MATERIAL



CONFIDENTIAL
This document and the information contained herein is the confidential trade secret property of Sabre Communications Corporation ("Sabre") and must not be reproduced, copied or used, in whole or in part, for any purpose without the prior written consent of Sabre.
© 2006 Sabre Communications Corporation. All rights reserved.

10'-0" WAVEGUIDE LADDER
12 HOLE RUNG

REV	DATE	DRW	CHK	DESCRIPTION
2	5/6/09	MLC	MC	REDRAWN IN 3D
1	1/4/07	MLC	MC	REVISED QTY OF ITEM 4

DATE	03/17/03	SIZE	B	DRAWING NO.	C20128011	REV	2
DRAWN BY	CE	CHECKED BY	DLW	SCALE	None	PAGE	1 OF 1