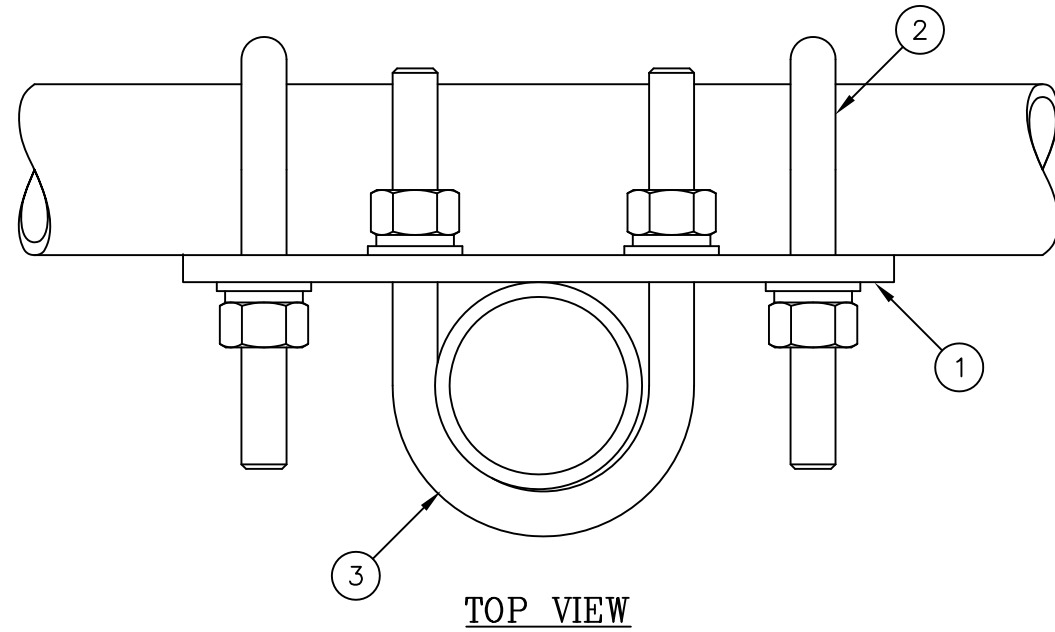


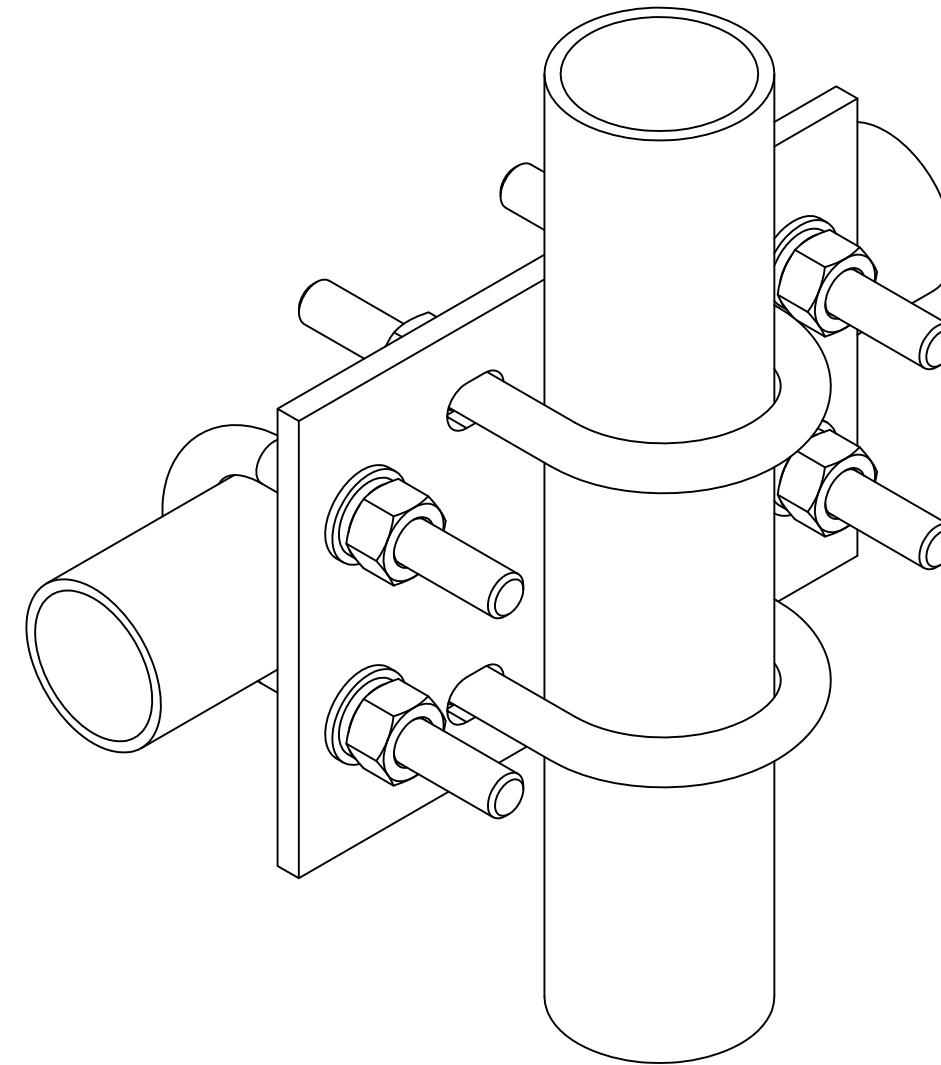


C10902002 CROSSOVER PLATE KIT

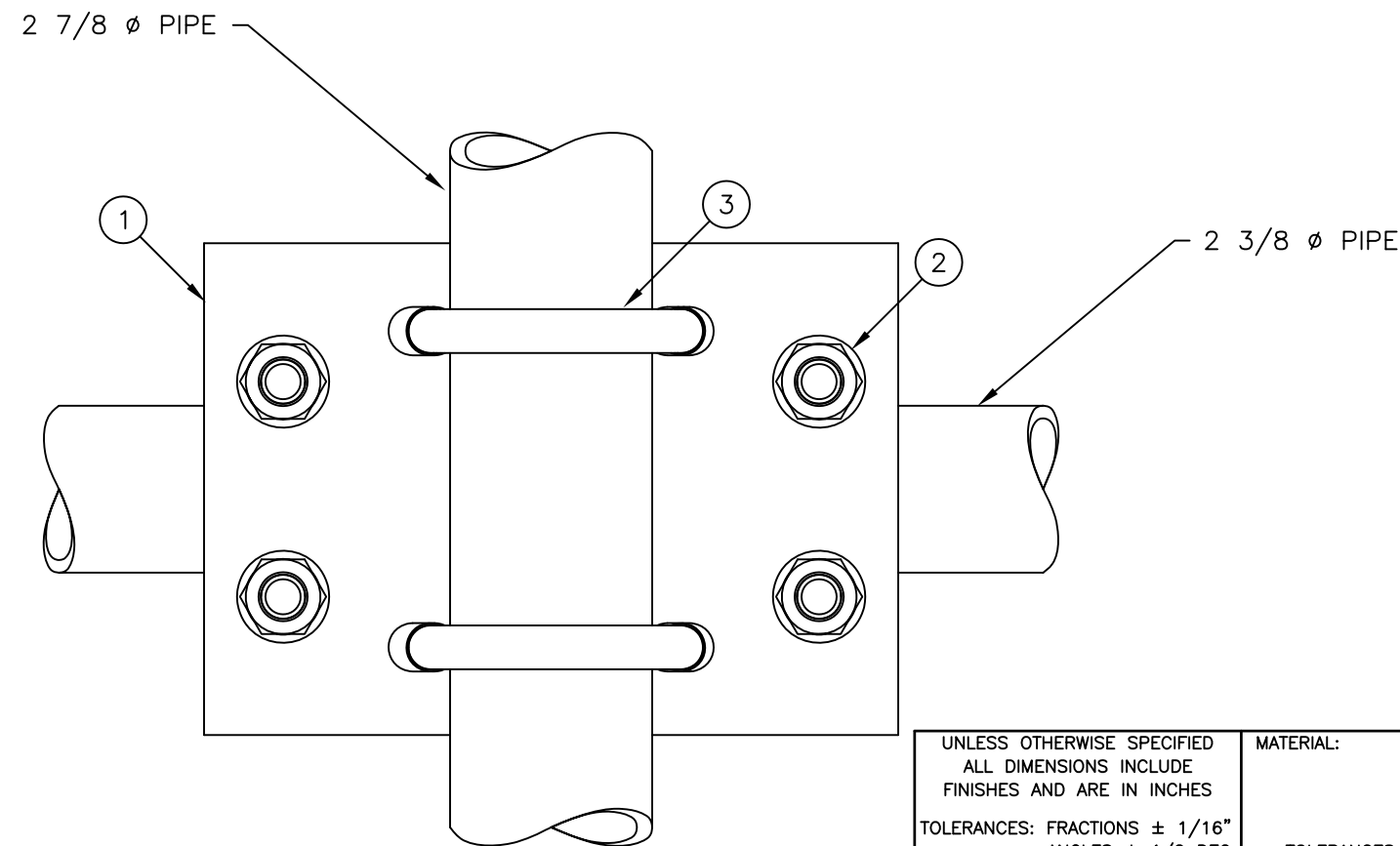
ITEM	QTY.	PART NO.	DESCRIPTION	WEIGHT
1.	1	CS00069	CROSSOVER PLATE	7
2.	2	C40034023	U-BOLT ASSEMBLY, 5/8" ϕ X 3 1/16" C-C	3
3.	2	C40034025	U-BOLT ASSEMBLY, 5/8" ϕ X 3 9/16" C-C	4
TOTAL WEIGHT				14



TOP VIEW



ISOMETRIC VIEW



FRONT VIEW

UNLESS OTHERWISE SPECIFIED
ALL DIMENSIONS INCLUDE
FINISHES AND ARE IN INCHES
TOLERANCES: FRACTIONS $\pm 1/16"$
ANGLES $\pm 1/2$ DEG.
DECIMALS $\pm .010"$

MATERIAL:
TOLERANCES DO NOT APPLY
TO RAW MATERIAL



CONFIDENTIAL
This document and the information
contained herein is the confidential trade
secret property of Sabre Communications
Corporation ("Sabre") and must not be
reproduced, copied or used, in whole or in
part, for any purpose without the prior
written consent of Sabre.
© 2014 Sabre Communications Corporation.
All rights reserved.

CROSSOVER PLATE KIT
2 3/8" ϕ TO 2 7/8" ϕ PIPES
(5/8" ϕ U-BOLTS)

REV	DATE	DRW	CHK	DESCRIPTION
1	06/26/14	WRF	KLE	ADDED ISOMETRIC VIEW

DATE	04/02/01	SIZE	B	DRAWING NO.	C10902002	REV	1
DRAWN BY	KLE	SCALE	None	PAGE	1 OF 1		
CHECKED BY	BCT						