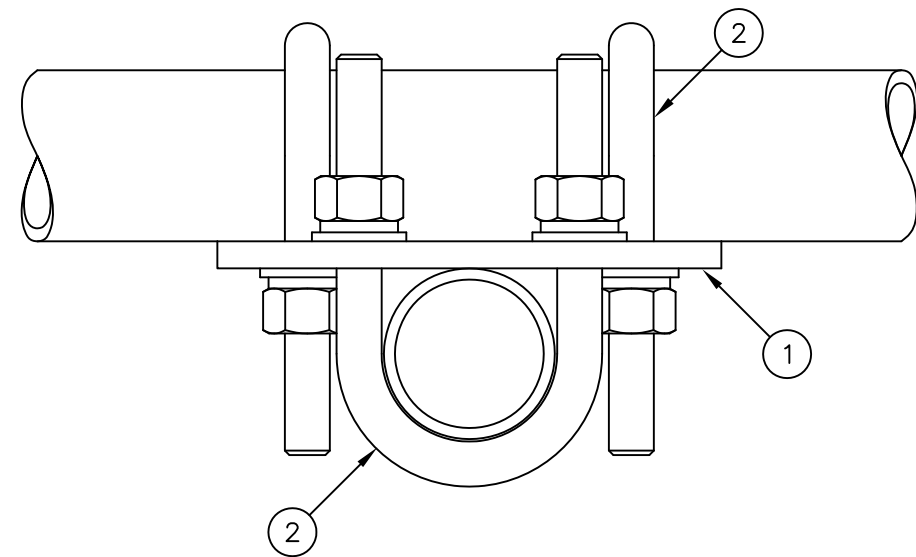




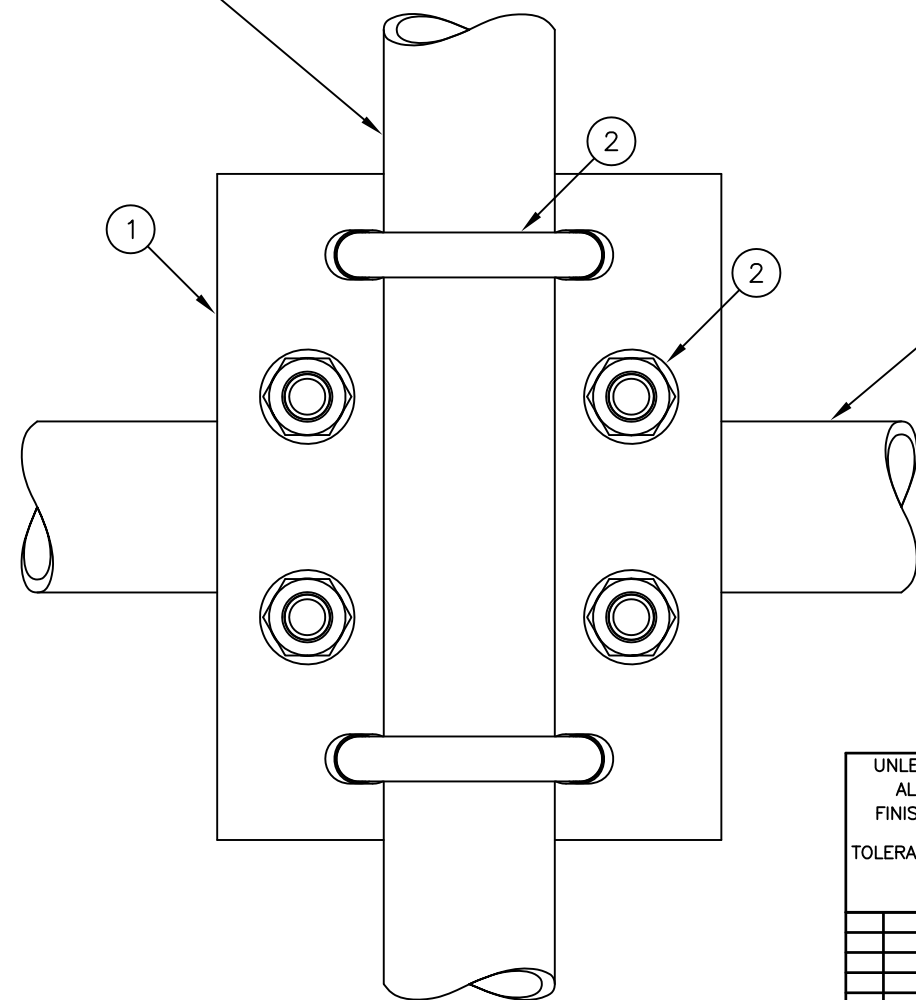
C10902001 CROSSOVER PLATE KIT

ITEM	QTY.	PART NO.	DESCRIPTION	WEIGHT
1.	1	CS00069	CROSSOVER PLATE	7
2.	4	C40034023	U-BOLT ASSEMBLY, 5/8" Ø X 3 1/16" C-C	7
TOTAL WEIGHT				14



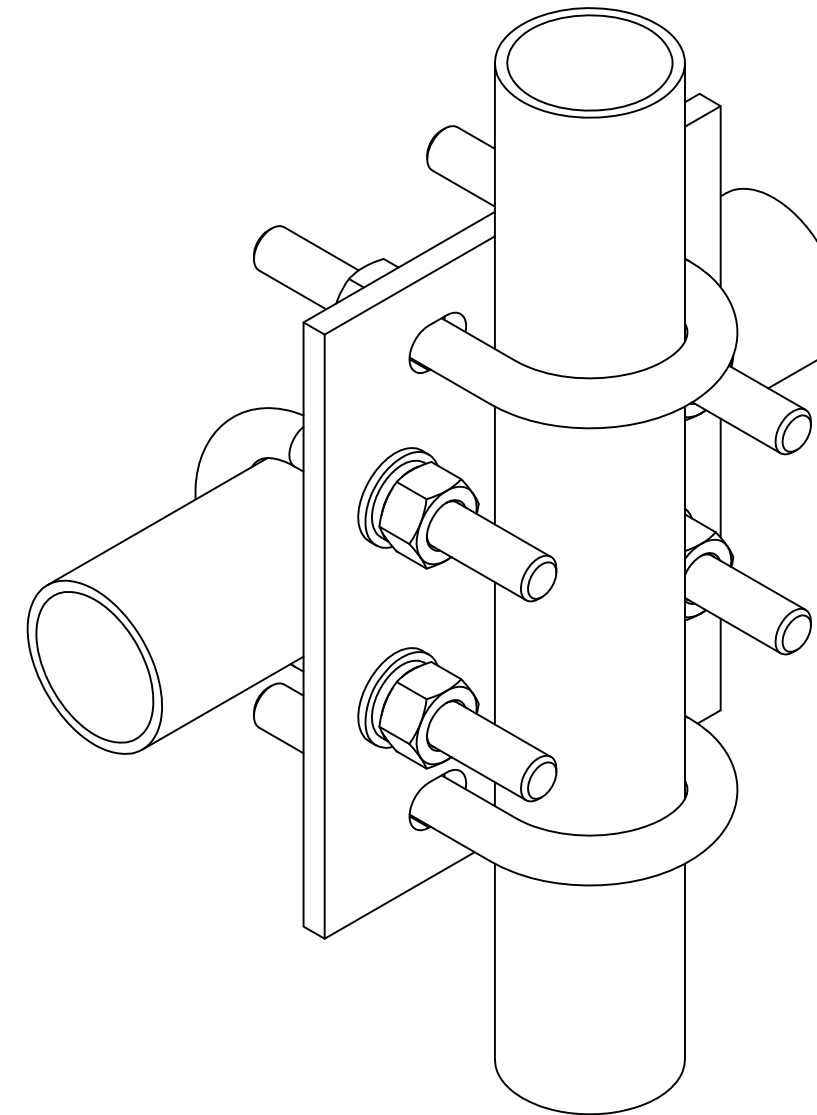
TOP VIEW

2 3/8" Ø PIPE



FRONT VIEW

2 3/8" Ø PIPE



ISOMETRIC VIEW

UNLESS OTHERWISE SPECIFIED
ALL DIMENSIONS INCLUDE
FINISHES AND ARE IN INCHES
TOLERANCES: FRACTIONS ± 1/16"
ANGLES ± 1/2 DEG.
DECIMALS ± .010"

MATERIAL:
TOLERANCES DO NOT APPLY
TO RAW MATERIAL



CONFIDENTIAL
This document and the information contained herein is the confidential trade secret property of Sabre Communications Corporation ("Sabre") and must not be reproduced, copied or used, in whole or in part, for any purpose without the prior written consent of Sabre.
© 2014 Sabre Communications Corporation. All rights reserved.

CROSSOVER PLATE KIT
2 3/8" Ø TO 2 3/8" Ø PIPES
(5/8" Ø U-BOLTS)

REV	DATE	DRW	CHK	DESCRIPTION
1	06/26/14	WRF	KLE	ADDED ISOMETRIC VIEW

DATE	04/02/01	SIZE	DRAWING NO.	REV
DRAWN BY	KLE	B	C10902001	1
CHECKED BY	BCT	SCALE	PAGE	
		None	1 OF 1	