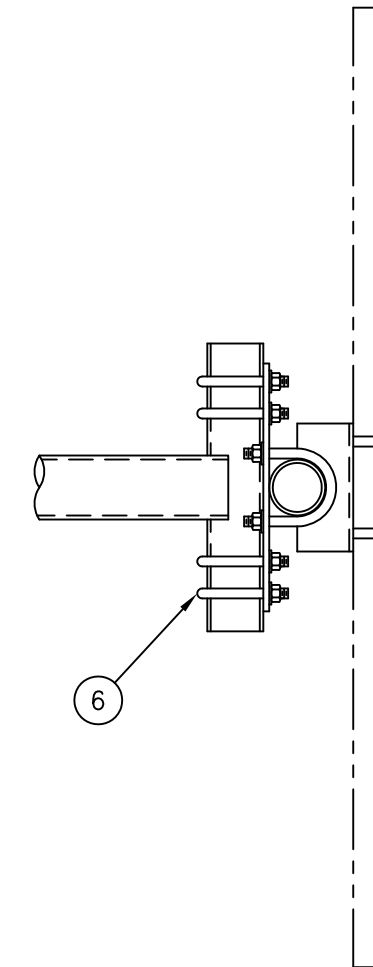
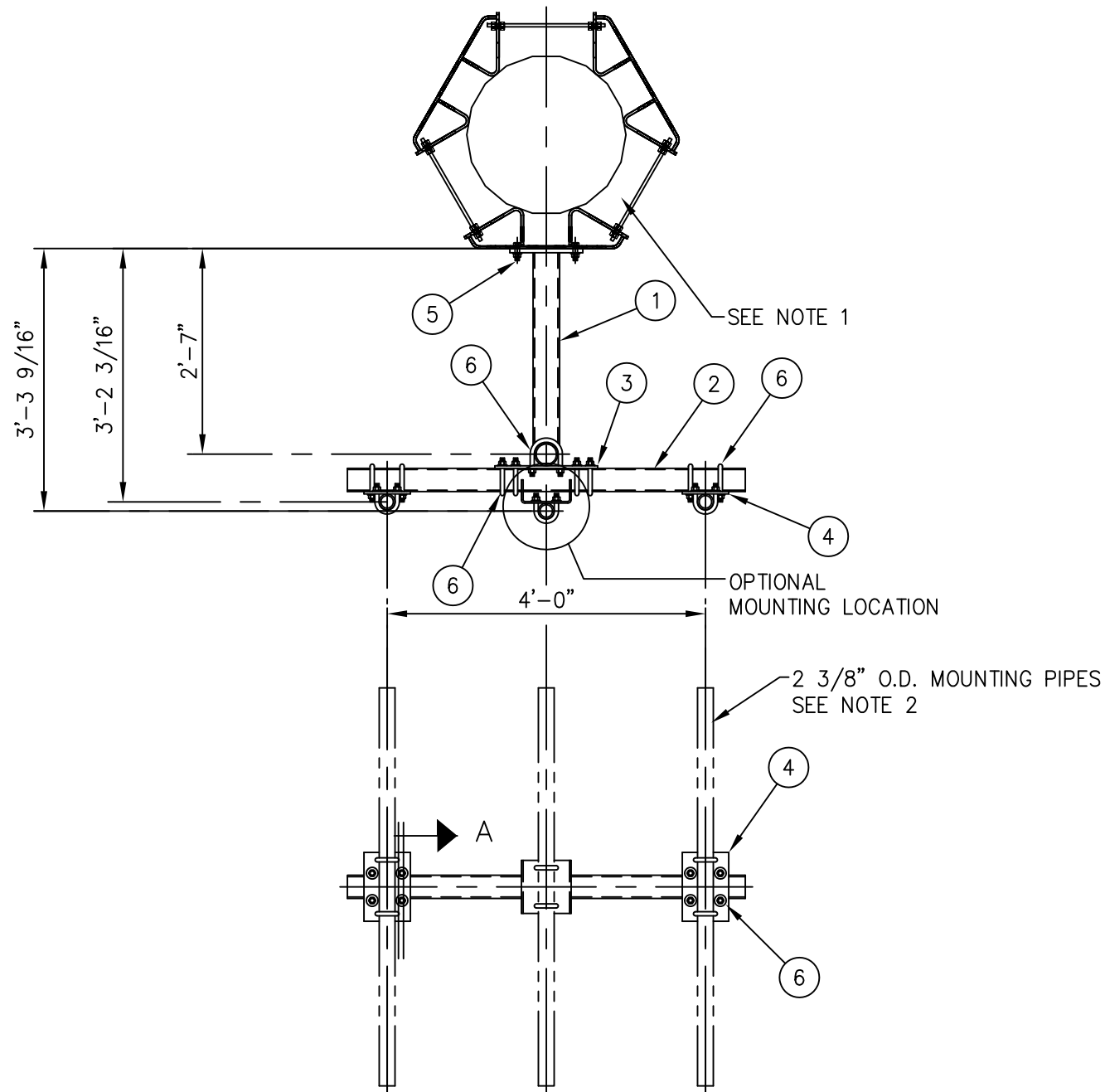




LIST OF MATERIAL

ITEM	QTY.	DWG. NO.	DESCRIPTION	PART NO.
1.	1	CW00144	T-ARM WELDMENT	64.9#
2.	1	CW00076	SUPPORT PIPE	46.0#
3.	1	CS00038	T-ARM CROSSOVER PLATE	22.0#
4.	2	CS00071	PIPE CROSSOVER PLATE	16.0#
5.	4	C40026025	BOLT ASSEMBLY, 5/8"Ø X 2 1/2 A325	1.9#
6.	12	C40034028	U-BOLT ASSEMBLY, 5/8"Ø X 4 3/16 C/C	23.0#
APPROX. GALV. WEIGHT				173.8#



SECTION A-A

NOTES:

1. TRI-COLLAR MOUNTS MUST BE PURCHASED SEPARATELY.
2. 2 3/8" O.D. MOUNTING PIPE & U-BOLTS MUST BE PURCHASED SEPARATELY.
3. QUANTITIES SHOWN IN LIST OF MATERIAL ARE FOR ONE (1) T-ARM ASSEMBLY ONLY.

UNLESS OTHERWISE SPECIFIED ALL DIMENSIONS INCLUDE FINISHES AND ARE IN INCHES		MATERIAL:	
TOLERANCES: FRACTIONS ± 1/16" ANGLES ± 1/2 DEG. DECIMALS ± .010"		TOLERANCES DO NOT APPLY TO RAW MATERIAL	
REV	DATE	DRW/CHK	DESCRIPTION

**Sabre Industries™**  
Towers and Poles

**CONFIDENTIAL**

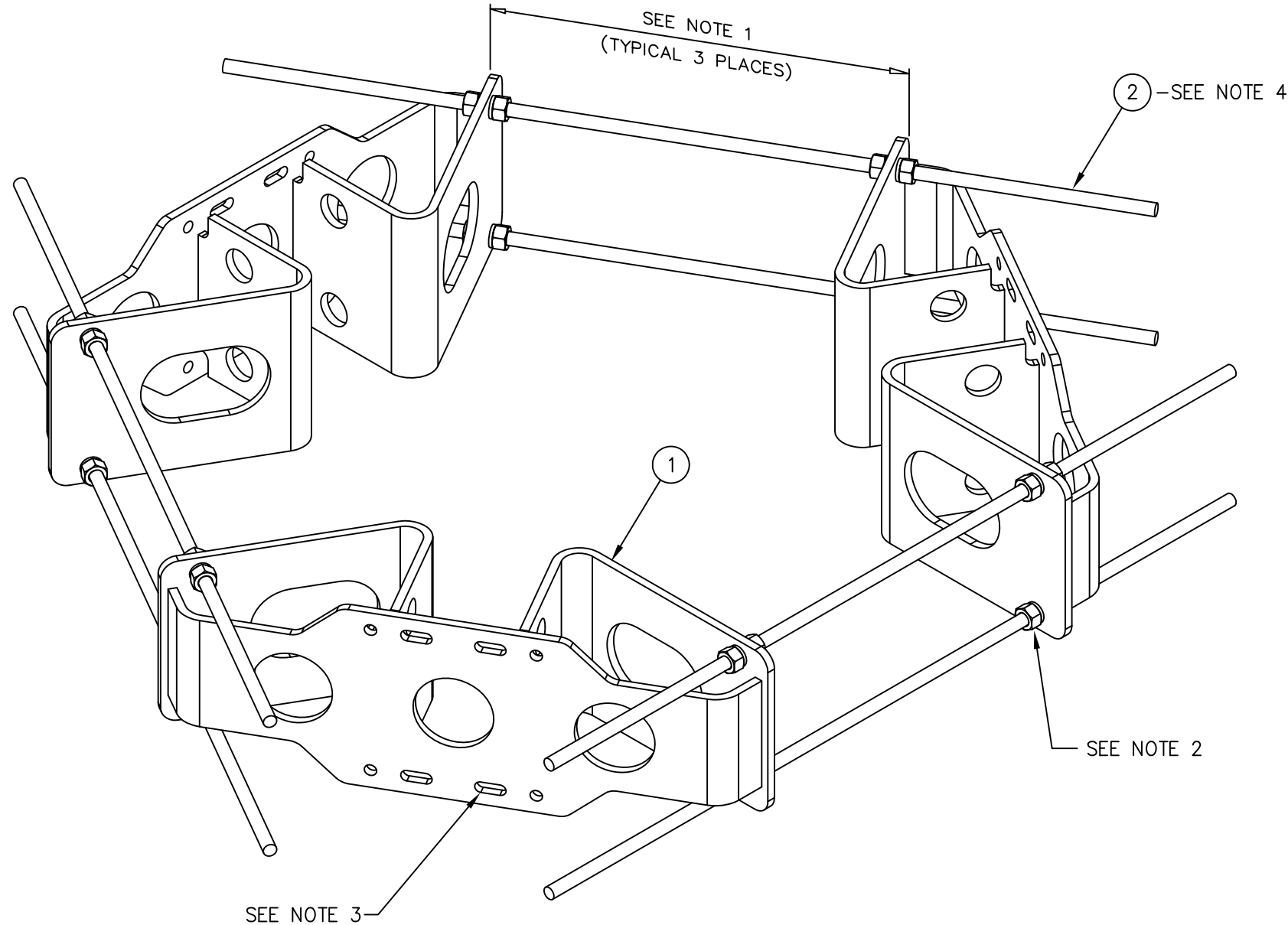
This document and the information contained herein is the confidential trade secret property of Sabre Communications Corporation ("Sabre") and must not be reproduced, copied or used, in whole or in part, for any purpose without the prior written consent of Sabre. © 2014 Sabre Communications Corporation. All rights reserved.

T-ARM ASSEMBLY 3'-0" ARM WITH 4'-0" FACE			
DATE	03/26/04	SIZE	B
DRAWN BY	JKW	DRAWING NO.	C10113101
CHECKED BY	MLC	SCALE	None
		REV	0
		PAGE	1 OF 1



C10112301 TRI-COLLAR ASSEMBLY (12"-60" MONOPOLE)

ITEM	QTY.	PART. NO.	DESCRIPTION	WEIGHT
1.	3	CW00843	WELDMENT, TRI-COLLAR (12"-60" MONOPOLE)	294
2.	6	C40094010	THREADED ROD ASSEMBLY 3/4 X 4'-4"	36
TOTAL WEIGHT				330



ISOMETRIC VIEW

NOTES:

1. THIS DISTANCE MUST BE EQUAL IN ALL (3) THREE LOCATIONS TO ENSURE THE STRUCTURAL INTEGRITY OF THE THREADED RODS AS WELL AS 120° SEPARATION.
2. FOR MONOPOLES 13" DIA. OR SMALLER, ONLY (1) ONE NUT AND (1) ONE LOCKWASHER ARE REQUIRED BETWEEN THE TRI-COLLAR BRACKETS. FOR MONOPOLES LARGER THAN 13" DIA., (2) TWO NUTS AND (2) TWO LOCKWASHERS ARE REQUIRED BETWEEN THE TRI-COLLAR BRACKETS.
3. THE MOUNTING SLOTS NOTED WILL ACCOMMODATE 2 3/8"-4 1/2" O.D. MOUNTING PIPES.
4. THREADED ROD MAY BE SHORTENED IF REQUIRED, FIELD CUT AND COLD GALV SPRAY TO SUIT.

UNLESS OTHERWISE SPECIFIED  
ALL DIMENSIONS INCLUDE  
FINISHES AND ARE IN INCHES  
TOLERANCES: FRACTIONS ± 1/16"  
ANGLES ± 1/2 DEG.  
DECIMALS ± .010"

MATERIAL:  
TOLERANCES DO NOT APPLY  
TO RAW MATERIAL



TRI-COLLAR BRACKET ASSEMBLY  
FOR MONOPOLES (12"-60" DIA.)  
(CIRCUMFERENCE 37.7" TO 188.5")

REV	DATE	DRW	CHK	DESCRIPTION
1	1/6/10	MLC	MC	REDRAWN IN AUTOCAD

**CONFIDENTIAL**  
This document and the information  
contained herein is the confidential trade  
secret property of Sabre Communications  
Corporation ("Sabre") and must not be  
reproduced, copied or used, in whole or in  
part, for any purpose without the prior  
written consent of Sabre.  
© 2014 Sabre Communications Corporation.  
All rights reserved.

DATE	8/21/09	SIZE B	DRAWING NO. C10112301	REV 1
DRAWN BY	JV			SCALE None
CHECKED BY	MLC			