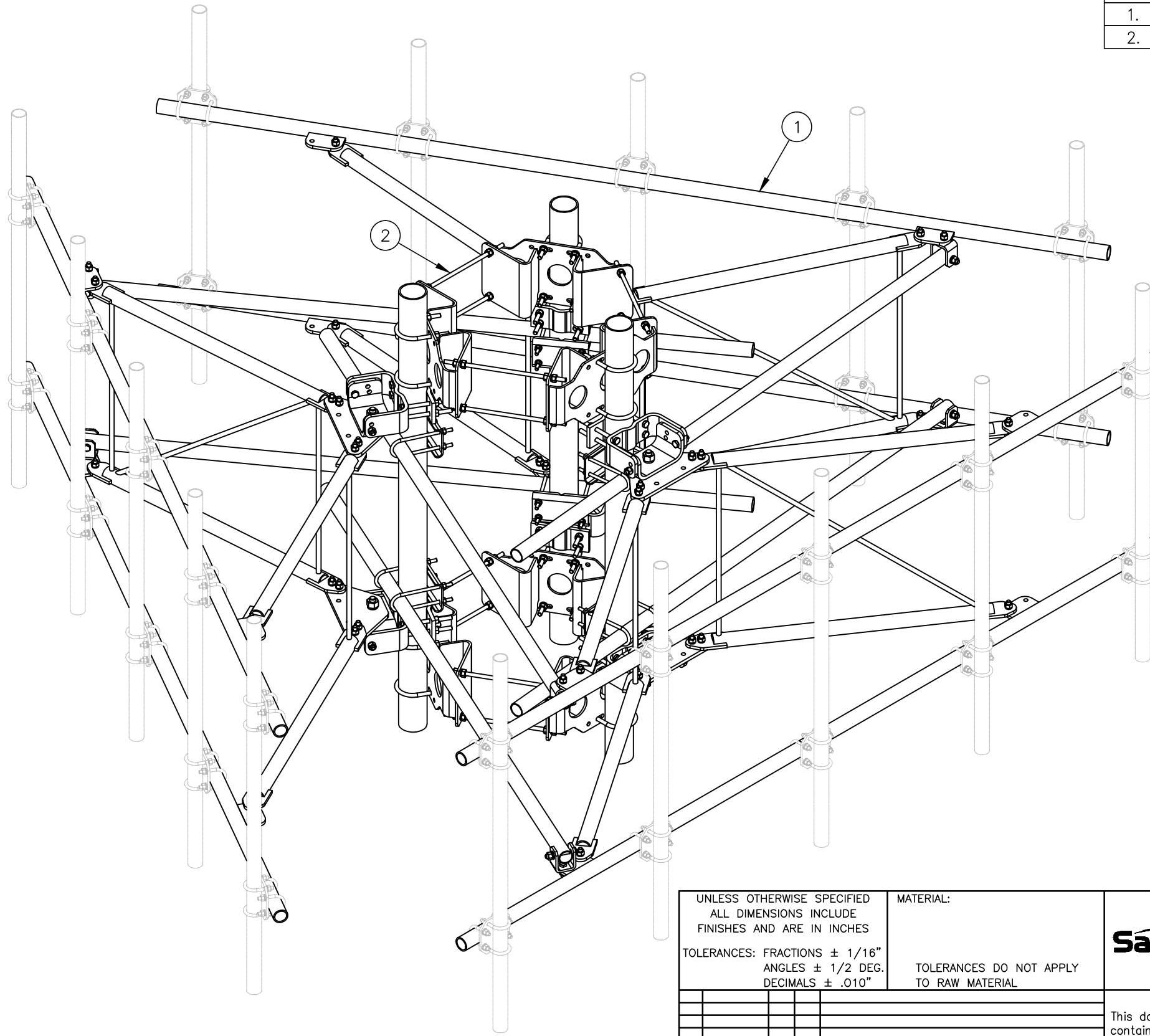


C10857803 12' EHD V-BOOM ASSEMBLIES W/TIEBACKS

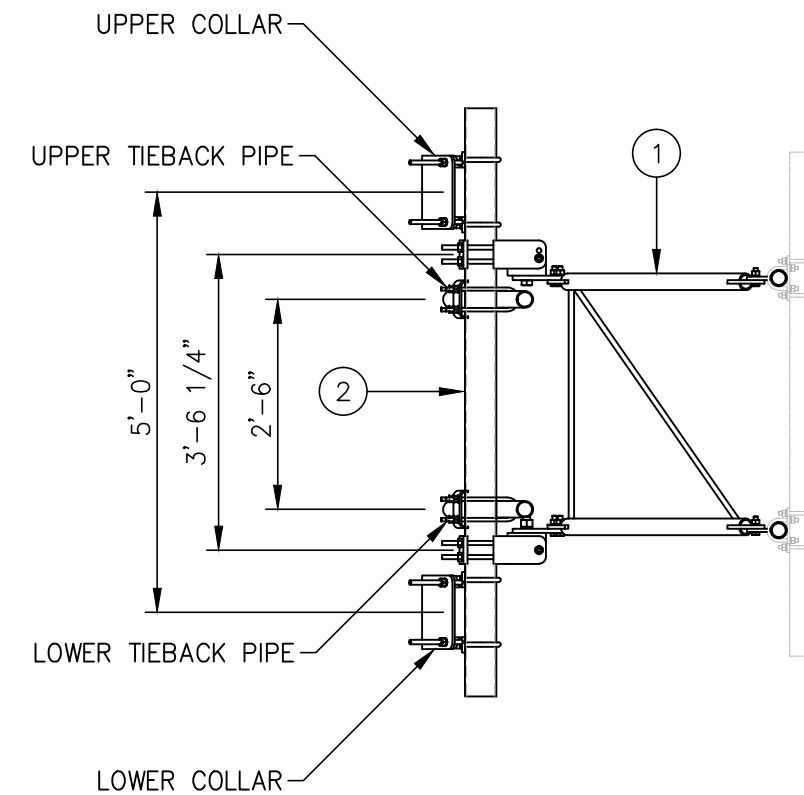
ITEM	QTY.	PART NO.	DESCRIPTION	WEIGHT
1.	3	C10857007C	12' EHD V-BOOM ASSEMBLY W/TIE BACKS	1533
2.	1	C10899050	4 1/2" O.D. MONOPOLE PIPE MOUNT ASSEMBLY	678
			TOTAL WEIGHT	2211

NOTES:

1. MOUNTING PIPES & CROSSOVER PLATE KITS MUST BE PURCHASED SEPARATELY.
2. SEE DRAWING C10857007C FOR 12' V-BOOM ASSEMBLY.
3. SEE DRAWING C10899050 FOR 4 1/2" O.D. MONOPOLE PIPE MOUNT ASSEMBLY.



ISOMETRIC VIEW



VIEW A-A  
FROM PAGE 2

UNLESS OTHERWISE SPECIFIED  
ALL DIMENSIONS INCLUDE  
FINISHES AND ARE IN INCHES

TOLERANCES: FRACTIONS ± 1/16"  
ANGLES ± 1/2 DEG.  
DECIMALS ± .010"

MATERIAL:

TOLERANCES DO NOT APPLY  
TO RAW MATERIAL

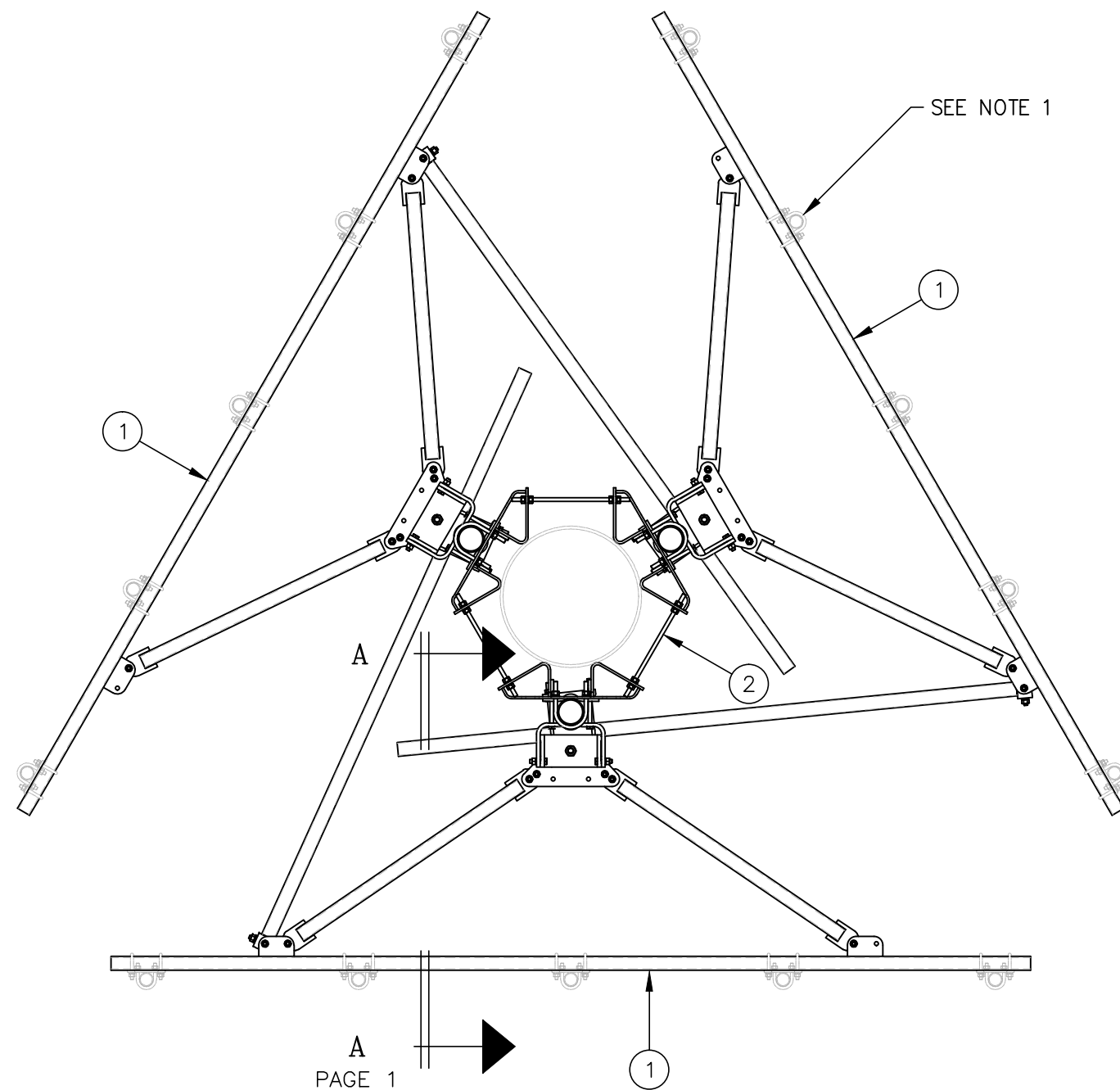


12' EHD V-BOOM ASSEMBLY W/TIEBACK  
(3' STANDOFF)  
ON MONOPOLE PIPE MOUNT ASSEMBLY  
W/NO ANTENNA MOUNTING PIPES

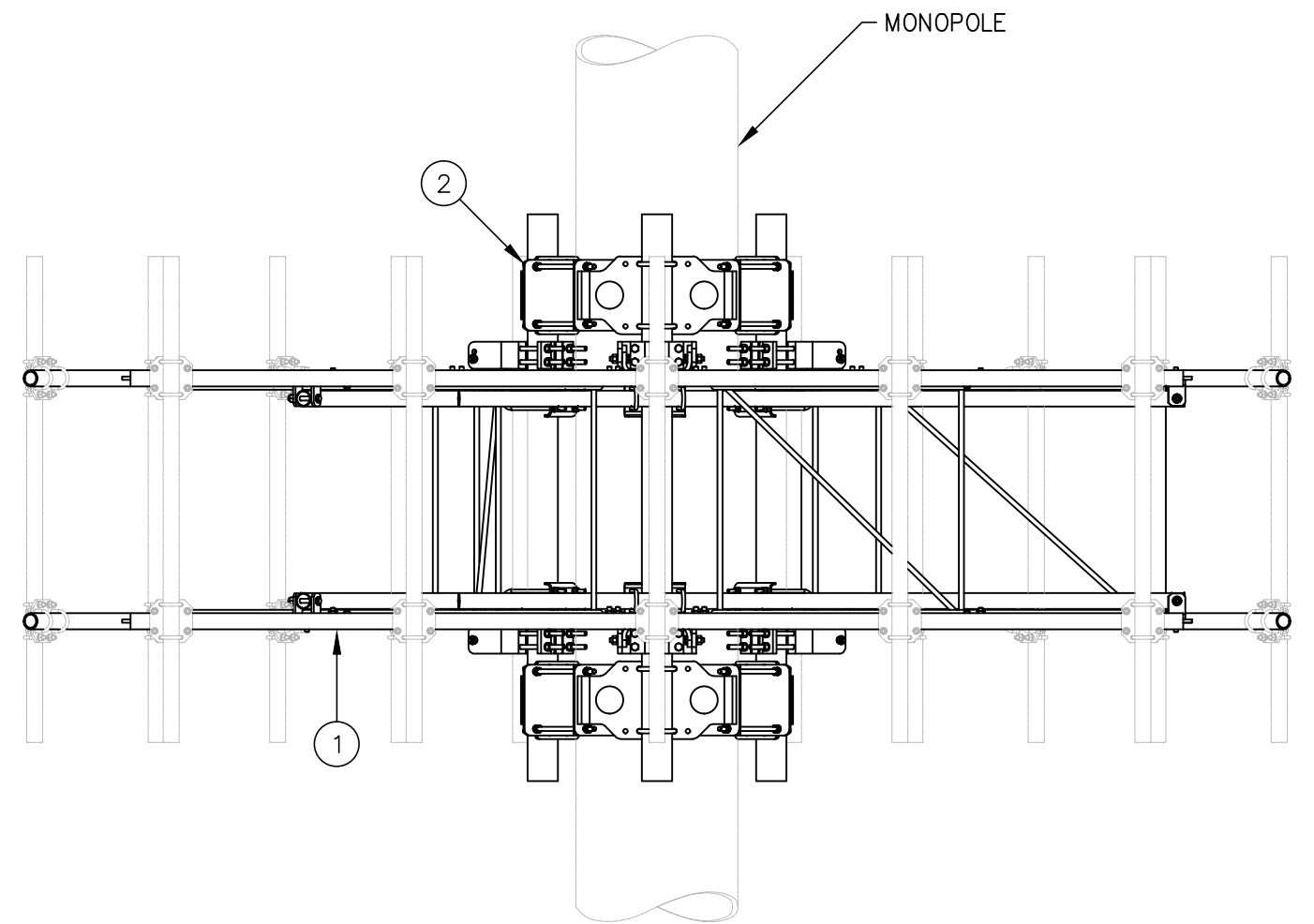
REV	DATE	DRW	CHK	DESCRIPTION

**CONFIDENTIAL**  
This document and the information  
contained herein is the confidential trade  
secret property of Sabre Communications  
Corporation ("Sabre") and must not be  
reproduced, copied or used, in whole or in  
part, for any purpose without the prior  
written consent of Sabre.  
© 2018 Sabre Communications Corporation.  
All rights reserved.

DATE	09/24/18	SIZE	B	DRAWING NO.	C10857803	REV	0
DRAWN BY	WRF			SCALE	None	PAGE	
CHECKED BY	WMN					1 OF 2	



PLAN VIEW



ELEVATION VIEW

UNLESS OTHERWISE SPECIFIED ALL DIMENSIONS INCLUDE FINISHES AND ARE IN INCHES			MATERIAL:	
TOLERANCES: FRACTIONS $\pm 1/16"$ ANGLES $\pm 1/2$ DEG. DECIMALS $\pm .010"$			TOLERANCES DO NOT APPLY TO RAW MATERIAL	
REV	DATE	DRW	CHK	DESCRIPTION

**Sabre Industries™**  
Towers and Poles

**CONFIDENTIAL**

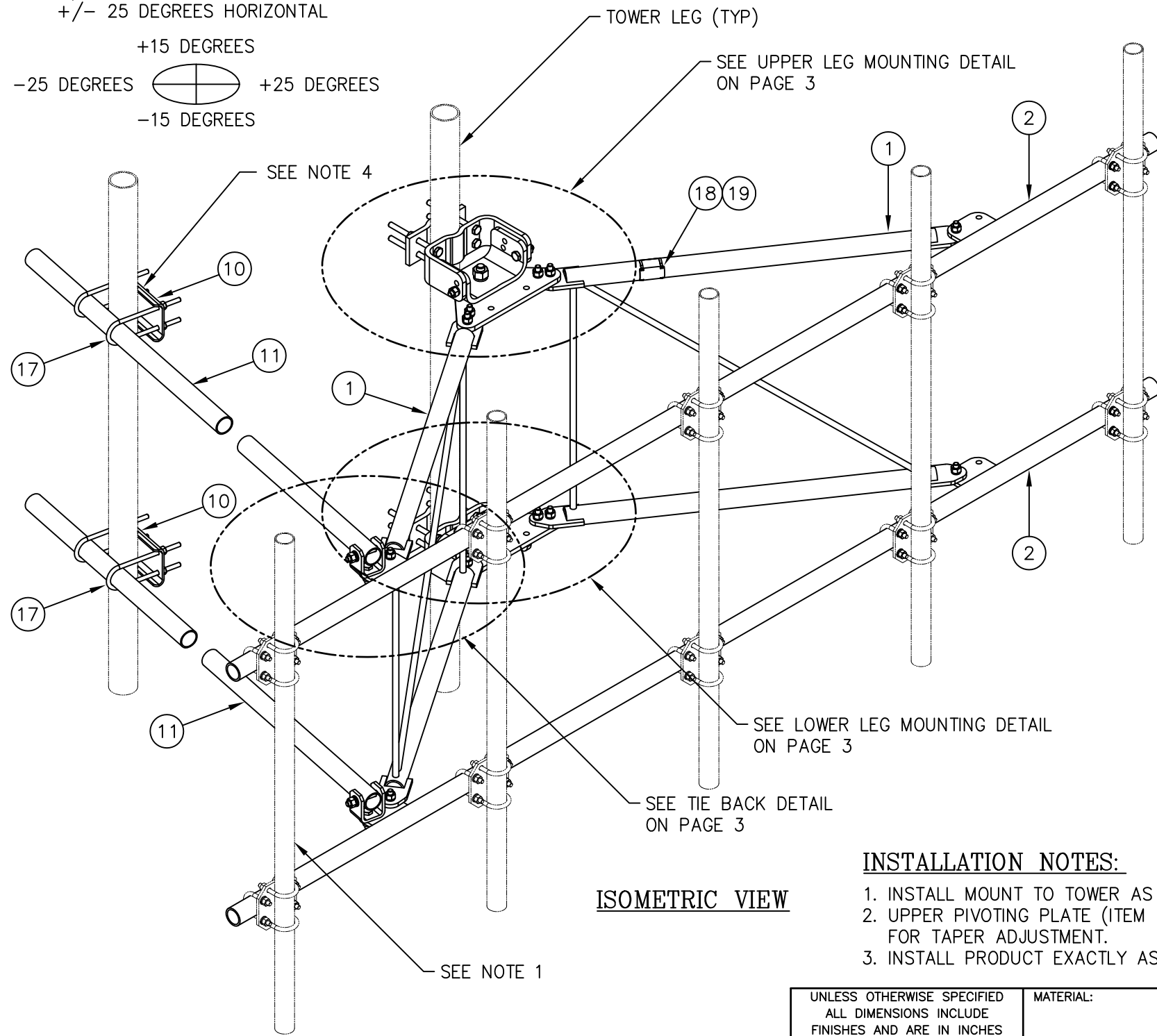
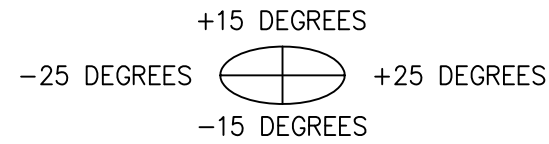
This document and the information contained herein is the confidential trade secret property of Sabre Communications Corporation ("Sabre") and must not be reproduced, copied or used, in whole or in part, for any purpose without the prior written consent of Sabre.  
© 2018 Sabre Communications Corporation. All rights reserved.

12' EHD V-BOOM ASSEMBLY W/TIEBACK (3' STANDOFF) ON MONOPOLE PIPE MOUNT ASSEMBLY W/NO ANTENNA MOUNTING PIPES							
DATE	09/24/18	SIZE	B	DRAWING NO.	C10857803	REV	0
DRAWN BY	WRF	SCALE		PAGE		None	
CHECKED BY	WMN	None		2 OF 2			



**TIEBACK ANGLE RANGE DETAIL**

+/- 15 DEGREES VERTICAL  
 +/- 25 DEGREES HORIZONTAL



**ISOMETRIC VIEW**

SEE NOTE 1

**NOTES:**

1. MOUNTING PIPES & CROSSOVER PLATE KITS MUST BE PURCHASED SEPARATELY.
2. QUANTITIES SHOWN IN LISTS OF MATERIAL ARE FOR ONE (1) V-BOOM ONLY.
3. THIS V-BOOM WILL MOUNT TO THE FOLLOWING: 1 1/2" Ø TO 5 9/16" Ø ROUND LEG.
4. TIEBACKS MUST BE CONNECTED TO A RIGID MEMBER THAT PROVIDES ADEQUATE SUPPORT WITHIN THE LIMITS NOTED ABOVE IN THE TIEBACK ANGLE RANGE DETAIL UNLESS APPROVED BY THE ENGINEER OF RECORD.

**C10857007C 12' EHD V-BOOM ASSEMBLY W/TIEBACKS**

ITEM	QTY.	PART NO.	DESCRIPTION	WEIGHT
1.	2	CW01222	WELDMENT, STANDOFF ARM	126
2.	2	CW01223	WELDMENT, FACE PIPE	147
3.	2	CS03109	PLATE, ROTATING	34
4.	1	CS03110	PLATE, PIVOTING (UPPER)	16
5.	1	CS03111	PLATE, LEG CLAMP (UPPER)	17
6.	1	CS03112	PLATE, PIVOTING (LOWER)	14
7.	1	CS03113	PLATE, LEG CLAMP (LOWER)	17
8.	2	CS03114	PLATE, LEG CLAMP (BACK)	14
9.	2	CS00098	PLATE, TIE BACK SWIVEL	5
10.	2	CS03285	PLATE, TIE BACK CLAMP	9
11.	2	CS03333	PIPE, TIE BACK	76
12.	2	C40026073	BOLT ASSEMBLY, 1 Ø X 3 A325	4
13.	8	C40140004	BOLT ASSEMBLY, 5/8 Ø X 8 A307	13
14.	2	C40026033	BOLT ASSEMBLY, 5/8 Ø X 4 1/2 A325	2
15.	12	C40026025	BOLT ASSEMBLY, 5/8 Ø X 2 1/2 A325	6
16.	6	C40026024	BOLT ASSEMBLY, 5/8 Ø X 2 1/4 A325	3
17.	4	C40034183	U-BOLT ASSEMBLY, 1/2 Ø X 2 9/16 C-C	6
18.	1	Z30992017	MOUNT CLASSIFICATION TAG C10857007C	1
19.	2	C40062103	STAINLESS STEEL SELF-LOCKING CABLE TIE	1
<b>TOTAL WEIGHT</b>				<b>511</b>

**PACKAGING NOTE**

CK00386 INCLUDES ITEMS 1, 3, 4, 5, 6, 7, 12 & 15 (8 QTY)  
 CK00392 INCLUDES ITEMS 2, 8, 9, 10, 11, 13, 14, 15 (4 QTY), 16, 17, 18 & 19

**INSTALLATION NOTES:**

1. INSTALL MOUNT TO TOWER AS SHOWN, SO THAT WELDED STANDOFF DIAGONAL IS SLOPING DOWNWARD FROM TOWER END TO FACE PIPE END.
2. UPPER PIVOTING PLATE (ITEM 4) HAS THREE HOLES ON EACH SIDE AND UPPER LEG CLAMP PLATE (ITEM 5) HAS TWO HOLES ON EACH SIDE FOR TAPER ADJUSTMENT.
3. INSTALL PRODUCT EXACTLY AS SHOWN IN DRAWING, WITH ALL BOLTS FACING UPWARDS.

UNLESS OTHERWISE SPECIFIED  
 ALL DIMENSIONS INCLUDE  
 FINISHES AND ARE IN INCHES  
 TOLERANCES: FRACTIONS ± 1/16"  
 ANGLES ± 1/2 DEG.  
 DECIMALS ± .010"

MATERIAL:  
 TOLERANCES DO NOT APPLY  
 TO RAW MATERIAL

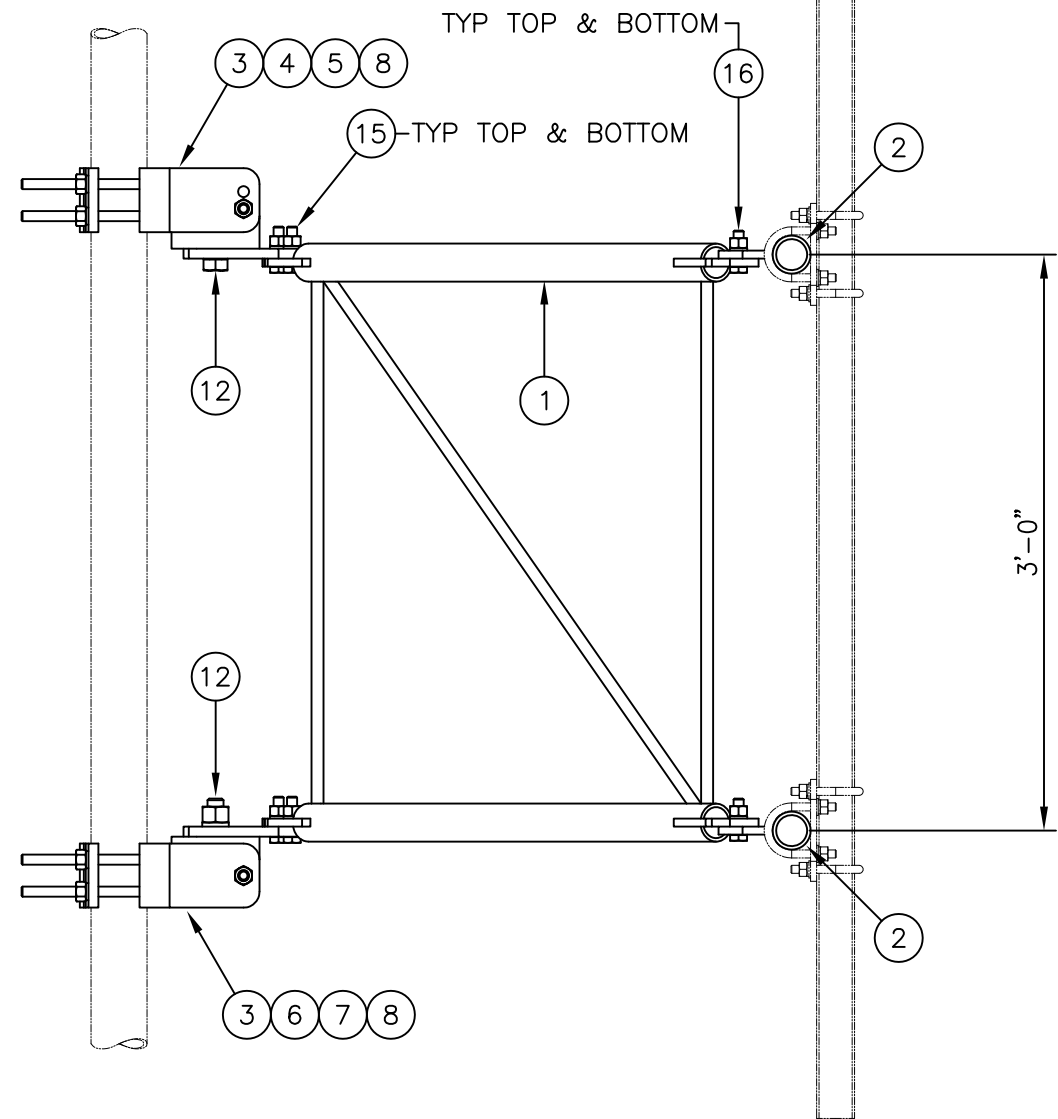
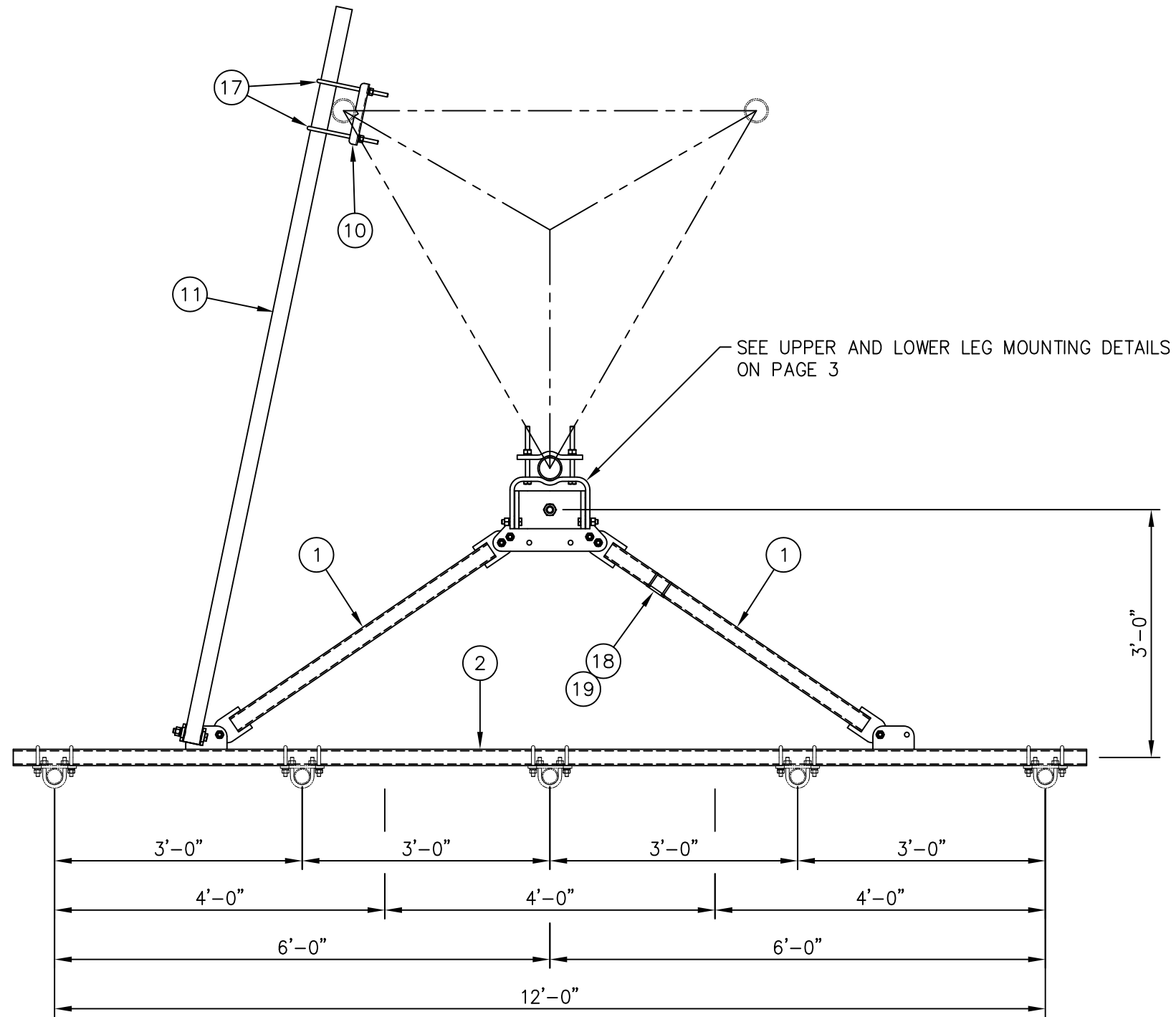


**CONFIDENTIAL**  
 This document and the information contained herein is the confidential trade secret property of Sabre Communications Corporation ("Sabre") and must not be reproduced, copied or used, in whole or in part, for any purpose without the prior written consent of Sabre.  
 © 2016 Sabre Communications Corporation. All rights reserved.

**12' EHD V-BOOM ASSEMBLY W/TIEBACKS  
 (3' STANDOFF)  
 W/NO ANTENNA MOUNTING PIPES**

REV	DATE	DRW/CHK	DESCRIPTION
1	10/19/16	KLE/DEL	ADDED INSTALLATION NOTES

DATE	02/29/16	SIZE	B	DRAWING NO.	C10857007C	REV	1
DRAWN BY	WRF	CHECKED BY	KLE	SCALE	None	PAGE	1 OF 3



**MOUNTING OPTIONS**  
SHOWING MOUNTING PIPE PLACEMENTS

UNLESS OTHERWISE SPECIFIED  
ALL DIMENSIONS INCLUDE  
FINISHES AND ARE IN INCHES

TOLERANCES: FRACTIONS  $\pm 1/16$ "  
ANGLES  $\pm 1/2$  DEG.  
DECIMALS  $\pm .010$ "

MATERIAL:

TOLERANCES DO NOT APPLY  
TO RAW MATERIAL

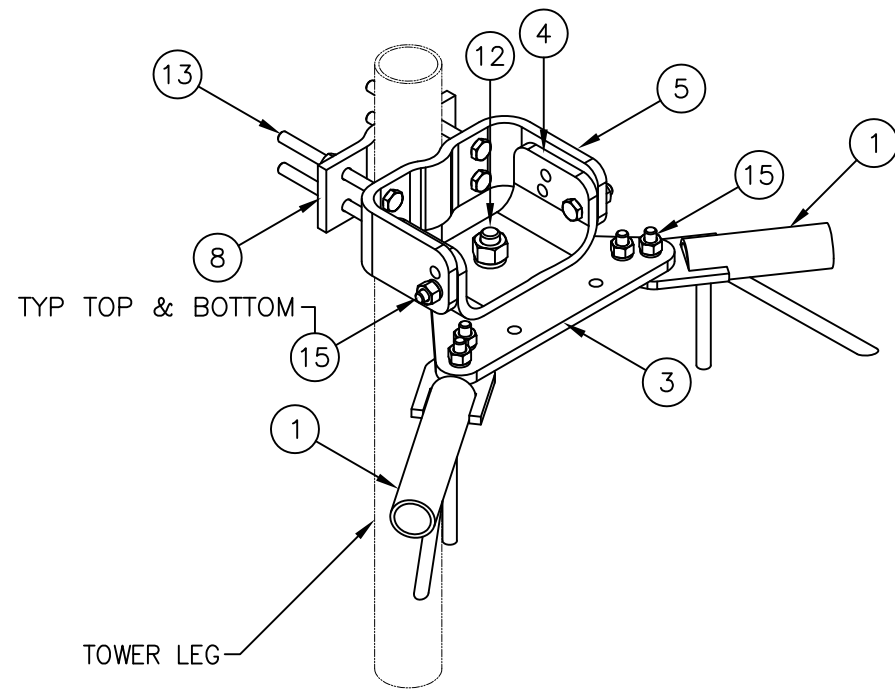


12' EHD V-BOOM ASSEMBLY W/TIEBACKS  
(3' STANDOFF)  
W/NO ANTENNA MOUNTING PIPES

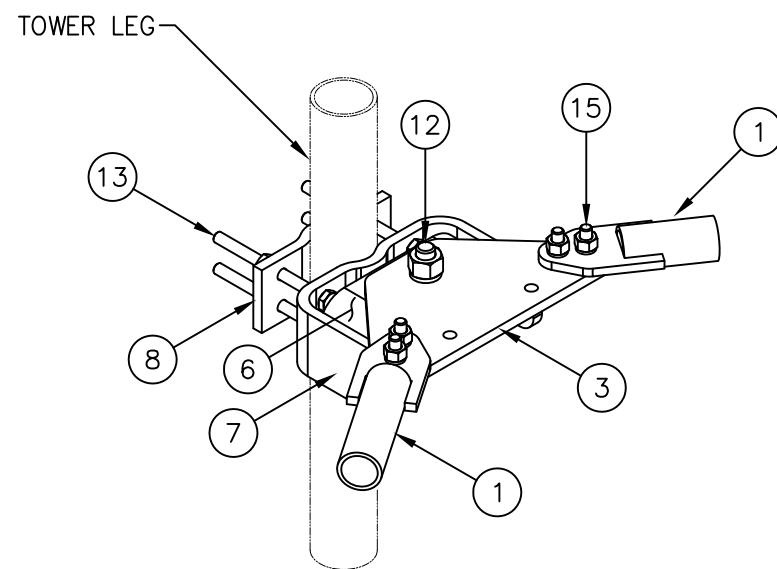
REV	DATE	DRW	CHK	DESCRIPTION
1	10/19/16	KLE	DEL	ADDED INSTALLATION NOTES

**CONFIDENTIAL**  
This document and the information contained herein is the confidential trade secret property of Sabre Communications Corporation ("Sabre") and must not be reproduced, copied or used, in whole or in part, for any purpose without the prior written consent of Sabre.  
© 2016 Sabre Communications Corporation. All rights reserved.

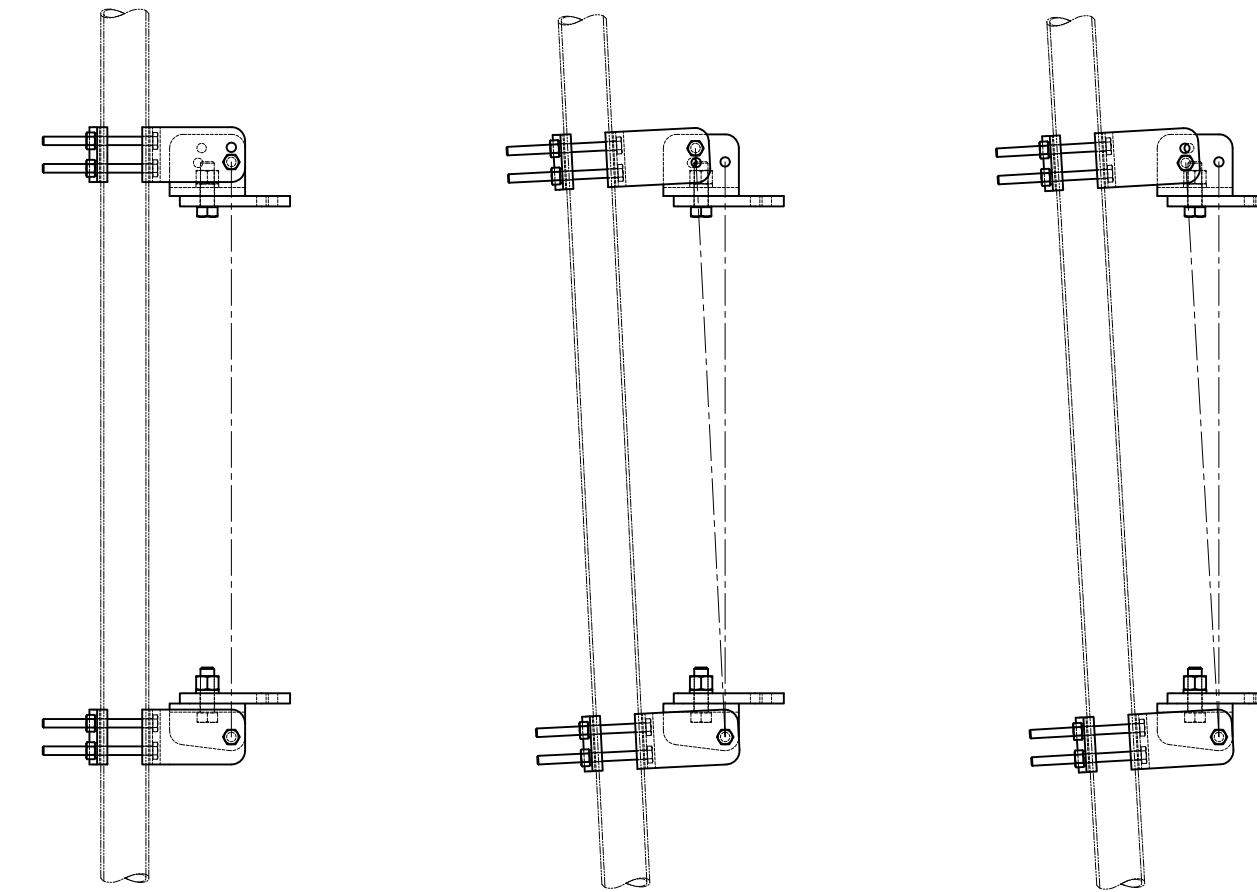
DATE	02/29/16	SIZE	B	DRAWING NO.	C10857007C	REV	1
DRAWN BY	WRF	SCALE	None	PAGE	2 OF 3		
CHECKED BY	KLE						



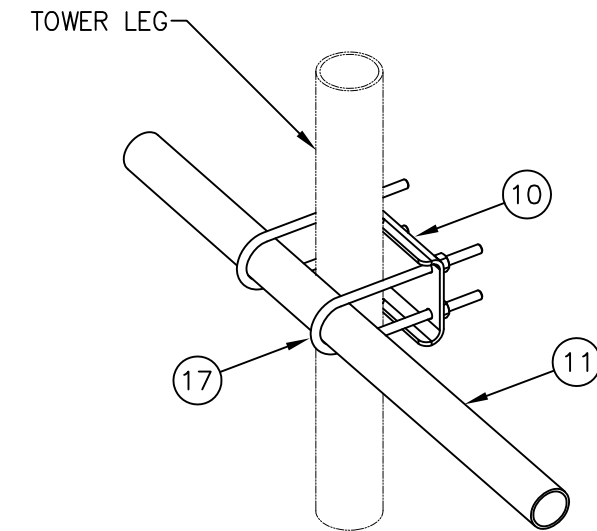
UPPER LEG MOUNTING DETAIL



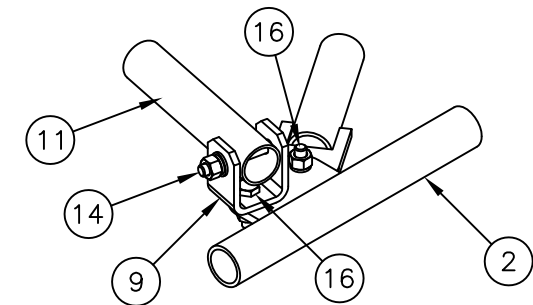
LOWER LEG MOUNTING DETAIL



-----PIVOTING OPTIONS-----



TIE BACK DETAIL  
AT TOWER LEG



TIE BACK DETAIL  
AT ANTENNA MOUNTING FRAME

UNLESS OTHERWISE SPECIFIED  
ALL DIMENSIONS INCLUDE  
FINISHES AND ARE IN INCHES  
TOLERANCES: FRACTIONS  $\pm 1/16"$   
ANGLES  $\pm 1/2$  DEG.  
DECIMALS  $\pm .010"$

MATERIAL:  
  
TOLERANCES DO NOT APPLY  
TO RAW MATERIAL



12' EHD V-BOOM ASSEMBLY W/TIEBACKS  
(3' STANDOFF)  
W/NO ANTENNA MOUNTING PIPES

REV	DATE	DRW	CHK	DESCRIPTION
1	10/19/16	KLE	DEL	ADDED INSTALLATION NOTES

**CONFIDENTIAL**  
This document and the information contained herein is the confidential trade secret property of Sabre Communications Corporation ("Sabre") and must not be reproduced, copied or used, in whole or in part, for any purpose without the prior written consent of Sabre.  
© 2016 Sabre Communications Corporation. All rights reserved.

DATE	02/29/16	SIZE	B	DRAWING NO.	C10857007C	REV	1
DRAWN BY	WRF	CHECKED BY	KLE	SCALE	None	PAGE	3 OF 3

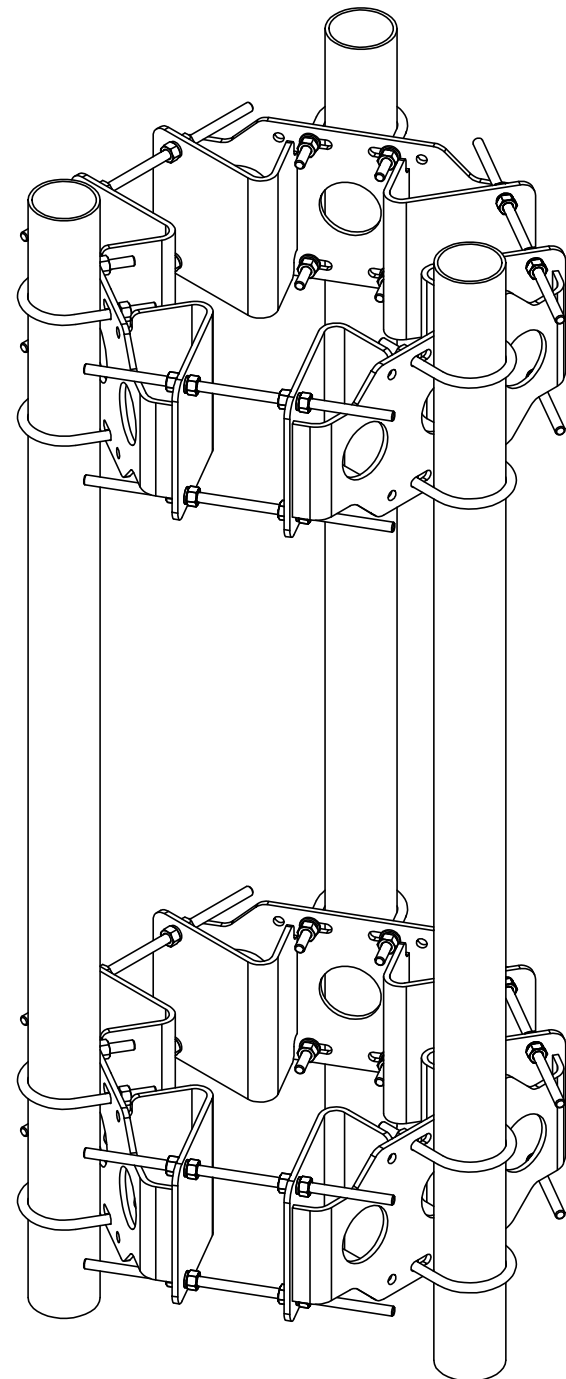


**NOTE:**

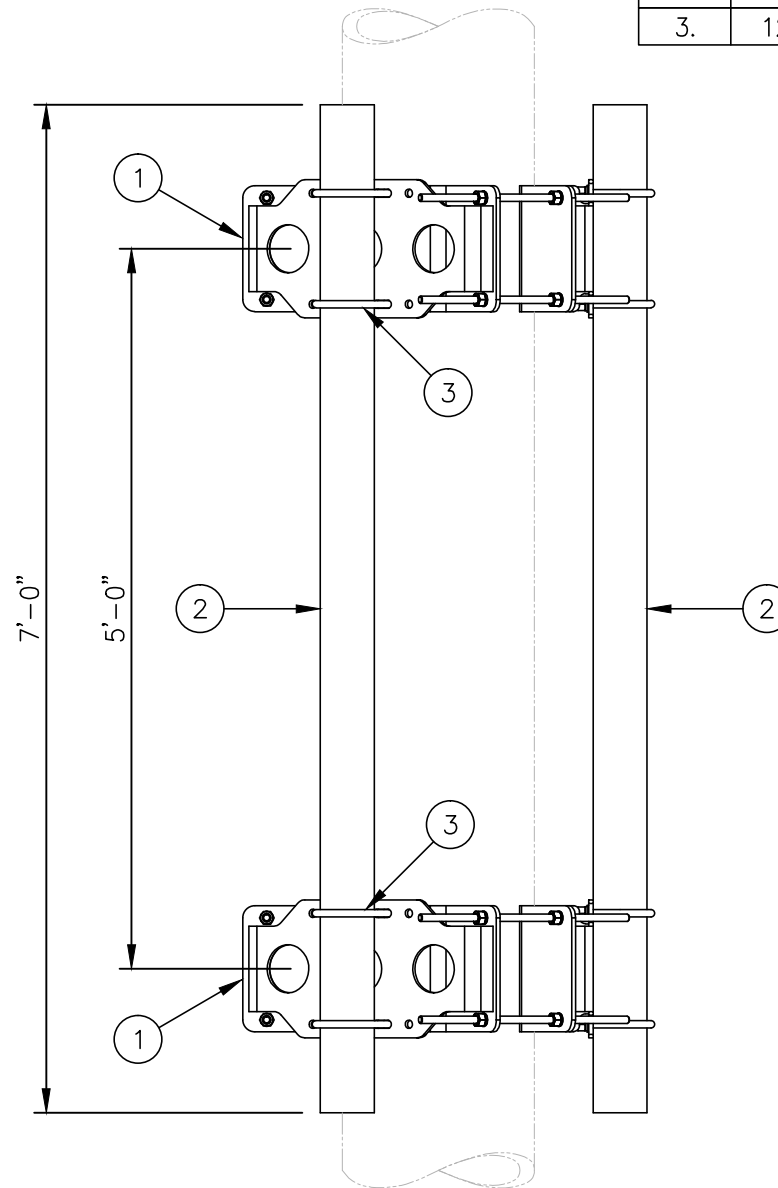
SEE DRAWING C10112377 FOR INSTALLATION OF TRI-COLLAR BRACKET ASSEMBLY

**C10899050 4 1/2" O.D. PIPE MOUNT ASSEMBLY**

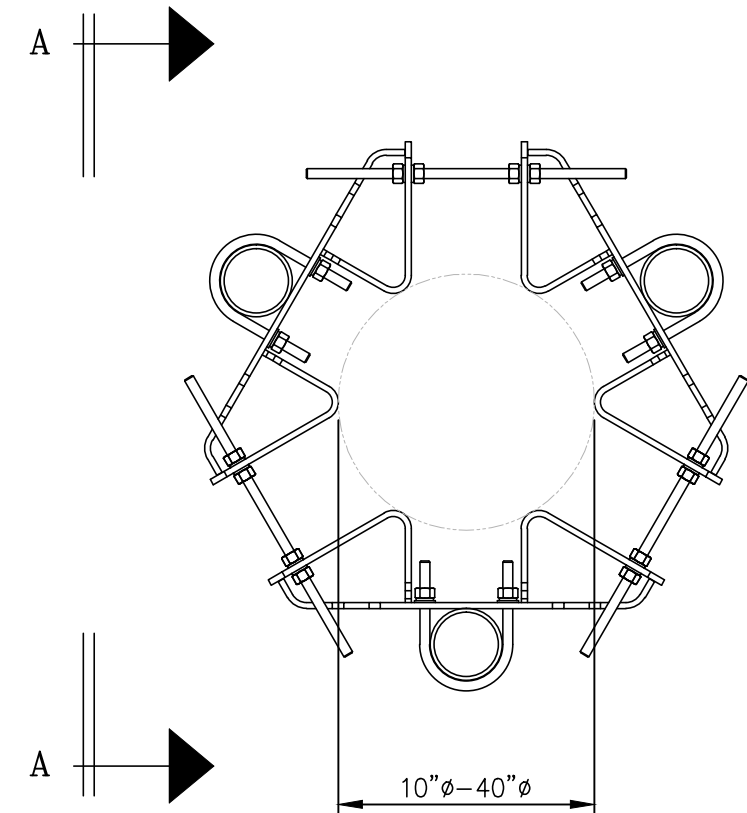
ITEM	QTY.	PART NO.	DESCRIPTION	WEIGHT
1.	2	C10112377	TRI-COLLAR BRACKET ASSEMBLY	416
2.	3	C10901407	PIPE, 4 1/2 O.D. X .237 X 7'-0	236
3.	12	C40034032	U-BOLT ASSEMBLY, 5/8 $\phi$ X 5 3/16 C-C	26
TOTAL WEIGHT				678



**ISOMETRIC VIEW**



**VIEW A-A**



**PLAN VIEW**

UNLESS OTHERWISE SPECIFIED  
ALL DIMENSIONS INCLUDE  
FINISHES AND ARE IN INCHES  
TOLERANCES: FRACTIONS  $\pm 1/16"$   
ANGLES  $\pm 1/2$  DEG.  
DECIMALS  $\pm .010"$

MATERIAL:  
TOLERANCES DO NOT APPLY  
TO RAW MATERIAL



**4 1/2" O.D. PIPE MOUNT ASSEMBLY  
FOR MONOPOLES  
(FITS 10" TO 40" DIAMETER)**

REV	DATE	DRW	CHK	DESCRIPTION
1	02/03/17	WRF	KLE	COLLAR WAS C10112300

**CONFIDENTIAL**  
This document and the information  
contained herein is the confidential trade  
secret property of Sabre Communications  
Corporation ("Sabre") and must not be  
reproduced, copied or used, in whole or in  
part, for any purpose without the prior  
written consent of Sabre.  
© 2016 Sabre Communications Corporation.  
All rights reserved.

DATE	01/26/16	SIZE	B	DRAWING NO.	C10899050	REV	1
DRAWN BY	WRF	SCALE	None	PAGE	1 OF 1		
CHECKED BY	DLW						