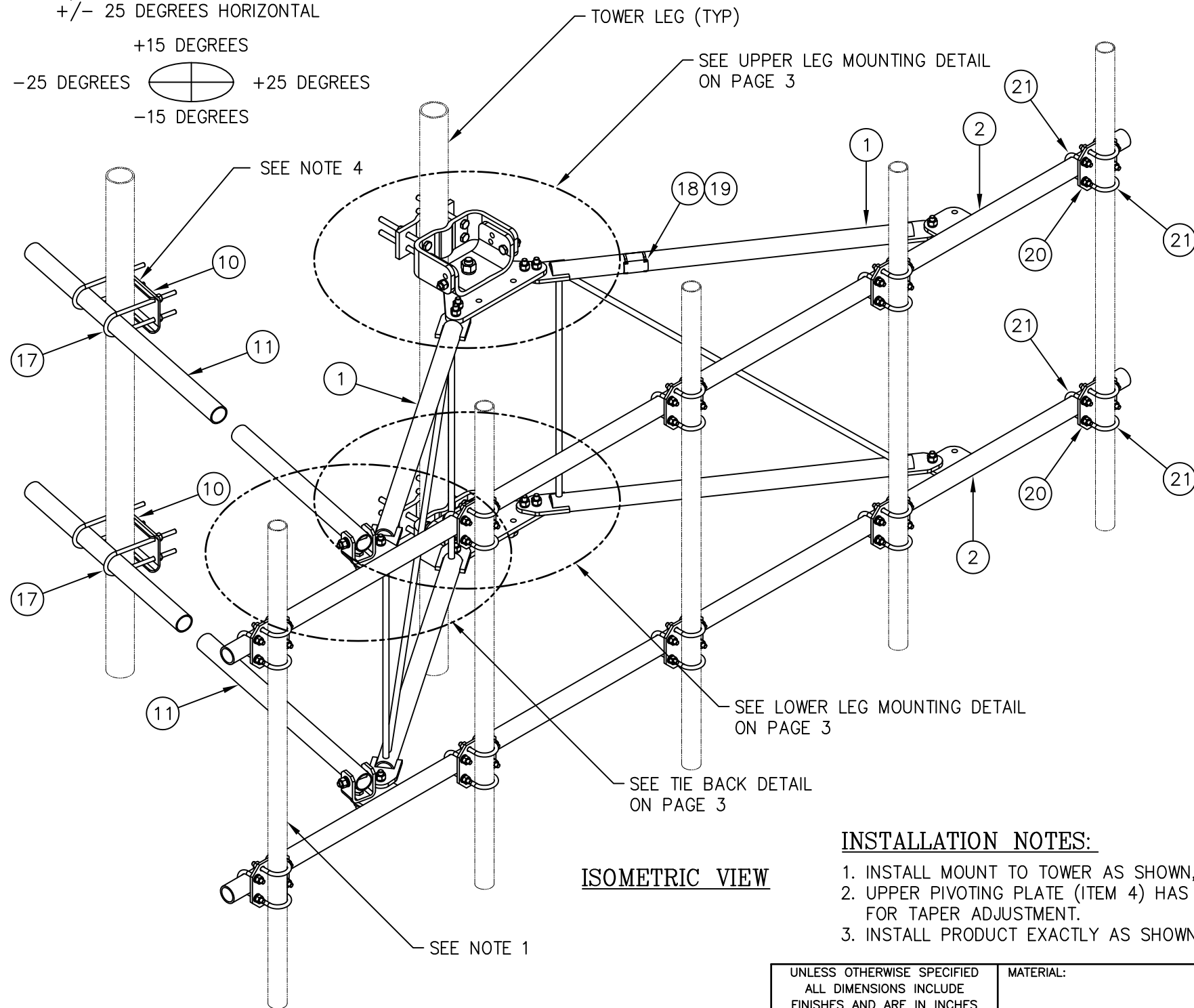
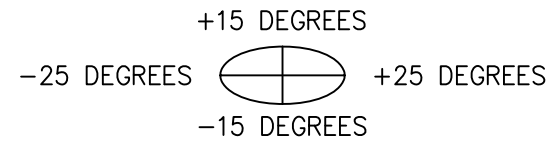




**TIEBACK ANGLE RANGE DETAIL**

+/- 15 DEGREES VERTICAL  
 +/- 25 DEGREES HORIZONTAL



**ISOMETRIC VIEW**

SEE NOTE 1

**C10857077C 12' EHD V-BOOM ASSEMBLY W/TIEBACKS**

ITEM	QTY.	PART NO.	DESCRIPTION	WEIGHT
1.	2	CW01222	WELDMENT, STANDOFF ARM	126
2.	2	CW01223	WELDMENT, FACE PIPE	147
3.	2	CS03109	PLATE, ROTATING	34
4.	1	CS03110	PLATE, PIVOTING (UPPER)	16
5.	1	CS03111	PLATE, LEG CLAMP (UPPER)	17
6.	1	CS03112	PLATE, PIVOTING (LOWER)	14
7.	1	CS03113	PLATE, LEG CLAMP (LOWER)	17
8.	2	CS03114	PLATE, LEG CLAMP (BACK)	14
9.	2	CS00098	PLATE, TIE BACK SWIVEL	5
10.	2	CS03285	PLATE, TIE BACK CLAMP	9
11.	2	CS03333	PIPE, TIE BACK	76
12.	2	C40026073	BOLT ASSEMBLY, 1 $\phi$ X 3 A325	4
13.	8	C40140004	BOLT ASSEMBLY, 5/8 $\phi$ X 8 A307	13
14.	2	C40026033	BOLT ASSEMBLY, 5/8 $\phi$ X 4 1/2 A325	2
15.	12	C40026025	BOLT ASSEMBLY, 5/8 $\phi$ X 2 1/2 A325	6
16.	6	C40026024	BOLT ASSEMBLY, 5/8 $\phi$ X 2 1/4 A325	3
17.	4	C40034183	U-BOLT ASSEMBLY, 1/2 $\phi$ X 2 9/16 C-C	6
18.	1	Z30992017	MOUNT CLASSIFICATION TAG C10857007C	1
19.	2	C40062103	STAINLESS STEEL SELF-LOCKING CABLE TIE	1
20.	10	CS03115	CROSSOVER PLATE (2 3/8-2 3/8)	38
21.	40	C40034139	U-BOLT ASSEMBLY, 1/2 $\phi$ X 2 15/16 C-C	33
<b>TOTAL WEIGHT</b>				<b>582</b>

**PACKAGING NOTE**

CK00386 INCLUDES ITEMS 1, 3, 4, 5, 6, 7, 12 & 15 (8 QTY)  
 CK00392 INCLUDES ITEMS 2, 8, 9, 10, 11, 13, 14, 15 (4 QTY), 16, 17, 18 & 19

**INSTALLATION NOTES:**

1. INSTALL MOUNT TO TOWER AS SHOWN, SO THAT WELDED STANDOFF DIAGONAL IS SLOPING DOWNWARD FROM TOWER END TO FACE PIPE END.
2. UPPER PIVOTING PLATE (ITEM 4) HAS THREE HOLES ON EACH SIDE AND UPPER LEG CLAMP PLATE (ITEM 5) HAS TWO HOLES ON EACH SIDE FOR TAPER ADJUSTMENT.
3. INSTALL PRODUCT EXACTLY AS SHOWN IN DRAWING, WITH ALL BOLTS FACING UPWARDS.

**NOTES:**

1. 2 3/8" O.D. MOUNTING PIPES MUST BE PURCHASED SEPARATELY.
2. QUANTITIES SHOWN IN LISTS OF MATERIAL ARE FOR ONE (1) V-BOOM ONLY.
3. THIS V-BOOM WILL MOUNT TO THE FOLLOWING: 1 1/2"  $\phi$  TO 5 9/16"  $\phi$  ROUND LEG.
4. TIEBACKS MUST BE CONNECTED TO A RIGID MEMBER THAT PROVIDES ADEQUATE SUPPORT WITHIN THE LIMITS NOTED ABOVE IN THE TIEBACK ANGLE RANGE DETAIL UNLESS APPROVED BY THE ENGINEER OF RECORD.

UNLESS OTHERWISE SPECIFIED ALL DIMENSIONS INCLUDE FINISHES AND ARE IN INCHES		MATERIAL:	
TOLERANCES: FRACTIONS $\pm$ 1/16" ANGLES $\pm$ 1/2 DEG. DECIMALS $\pm$ .010"		TOLERANCES DO NOT APPLY TO RAW MATERIAL	
1	10/19/16	KLE	DEL
REV	DATE	DRW	CHK

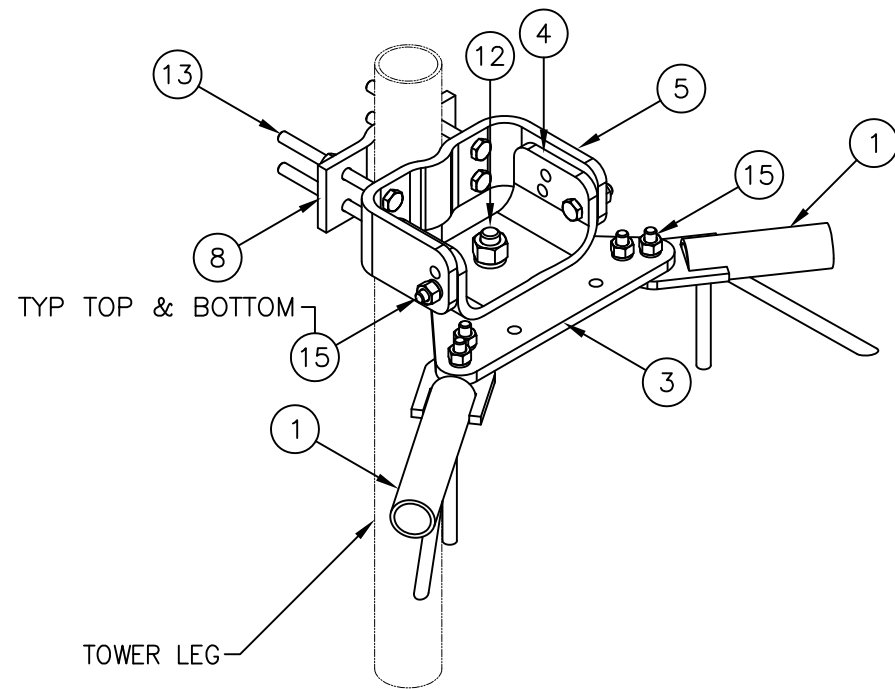
**Sabre Industries™**  
Towers and Poles

**CONFIDENTIAL**

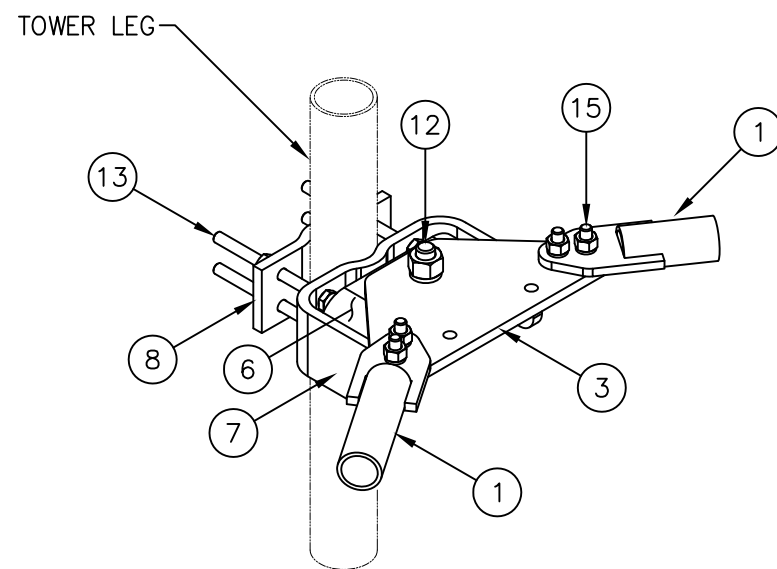
This document and the information contained herein is the confidential trade secret property of Sabre Communications Corporation ("Sabre") and must not be reproduced, copied or used, in whole or in part, for any purpose without the prior written consent of Sabre.  
 © 2016 Sabre Communications Corporation. All rights reserved.

<b>12' EHD V-BOOM ASSEMBLY W/TIEBACKS (3' STANDOFF) W/CROSSOVER PLATE KITS (2 3/8-2 3/8)</b>			
DATE		03/09/16	SIZE
DRAWN BY		WRF	B
CHECKED BY		KLE	DRAWING NO.
			C10857077C
			REV
			1
		SCALE	PAGE
		None	1 OF 3

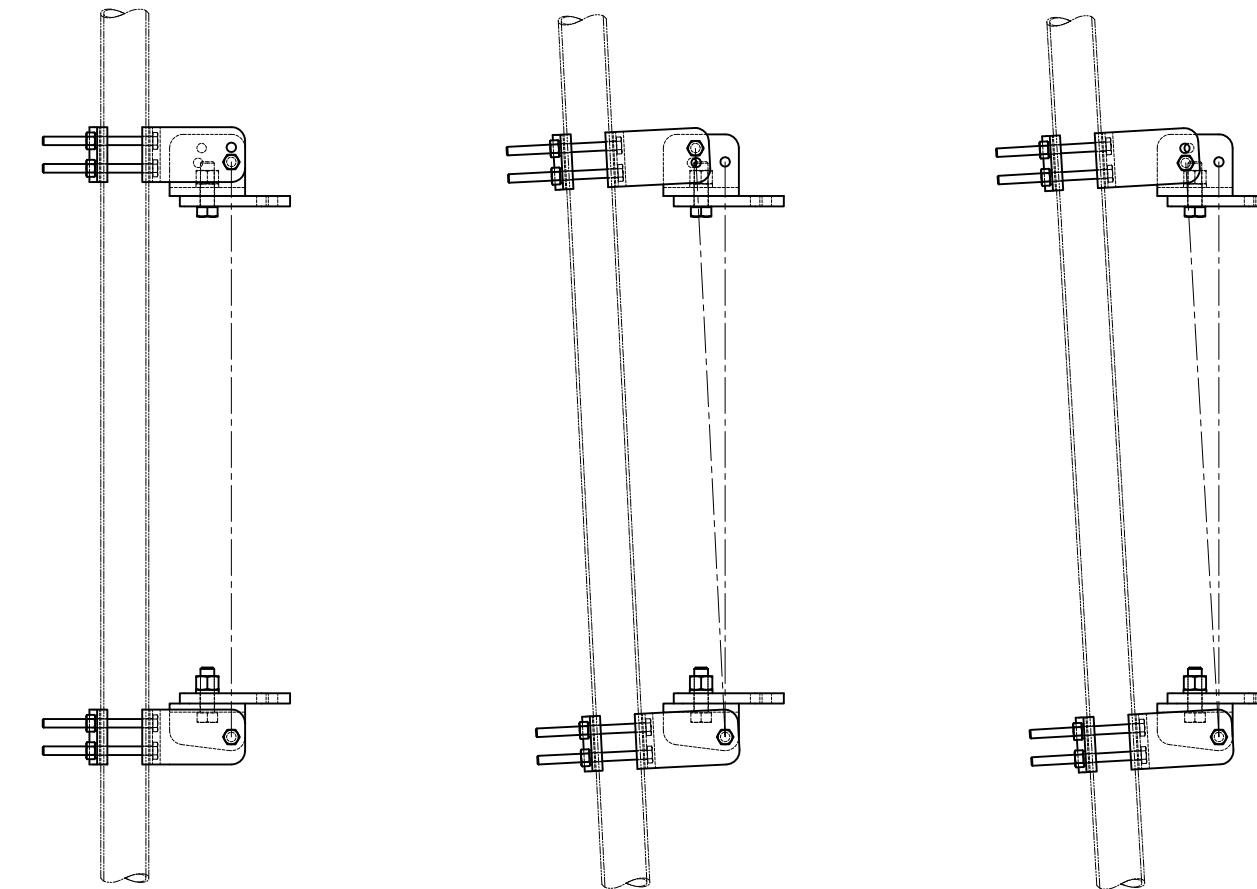




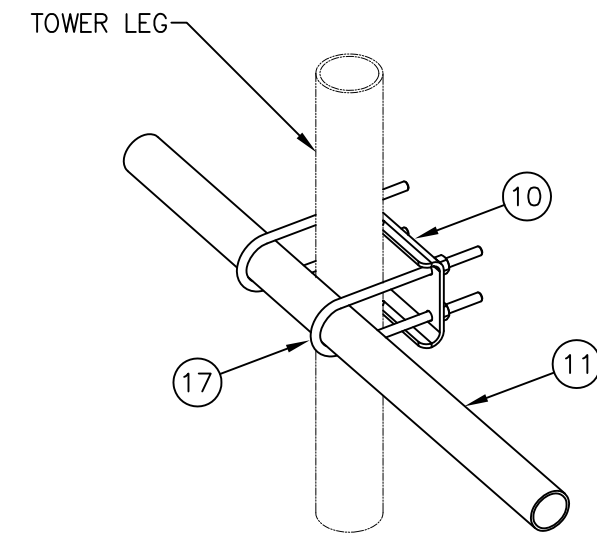
UPPER LEG MOUNTING DETAIL



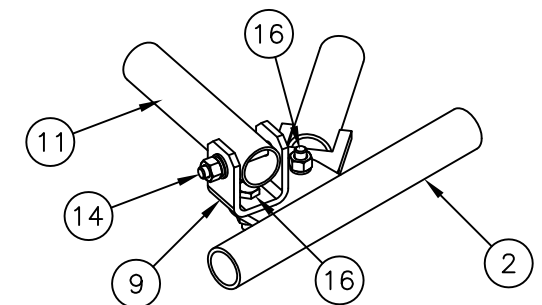
LOWER LEG MOUNTING DETAIL



-----PIVOTING OPTIONS-----



TIE BACK DETAIL  
AT TOWER LEG



TIE BACK DETAIL  
AT ANTENNA MOUNTING FRAME

UNLESS OTHERWISE SPECIFIED  
ALL DIMENSIONS INCLUDE  
FINISHES AND ARE IN INCHES  
TOLERANCES: FRACTIONS  $\pm 1/16"$   
ANGLES  $\pm 1/2$  DEG.  
DECIMALS  $\pm .010"$

MATERIAL:  
  
TOLERANCES DO NOT APPLY  
TO RAW MATERIAL



**CONFIDENTIAL**  
This document and the information  
contained herein is the confidential trade  
secret property of Sabre Communications  
Corporation ("Sabre") and must not be  
reproduced, copied or used, in whole or in  
part, for any purpose without the prior  
written consent of Sabre.  
© 2016 Sabre Communications Corporation.  
All rights reserved.

12' EHD V-BOOM ASSEMBLY W/TIEBACKS  
(3' STANDOFF)  
W/CROSSOVER PLATE KITS (2 3/8-2 3/8)

REV	DATE	DRW	CHK	DESCRIPTION
1	10/19/16	KLE	DEL	ADDED INSTALLATION NOTES

DATE	03/09/16	SIZE	B	DRAWING NO.	C10857077C	REV	1
DRAWN BY	WRF	SCALE	None	PAGE	3 OF 3		
CHECKED BY	KLE						