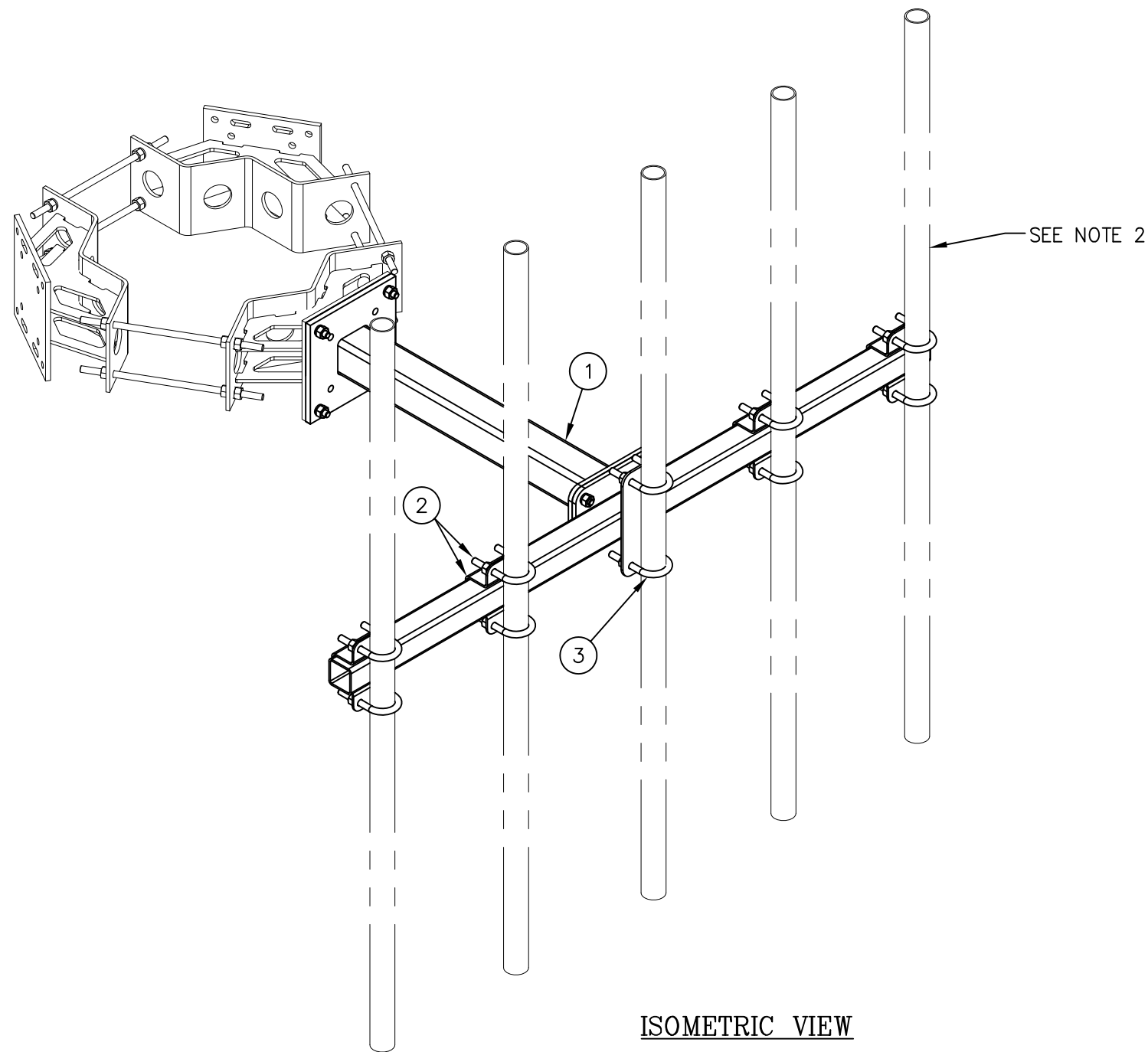


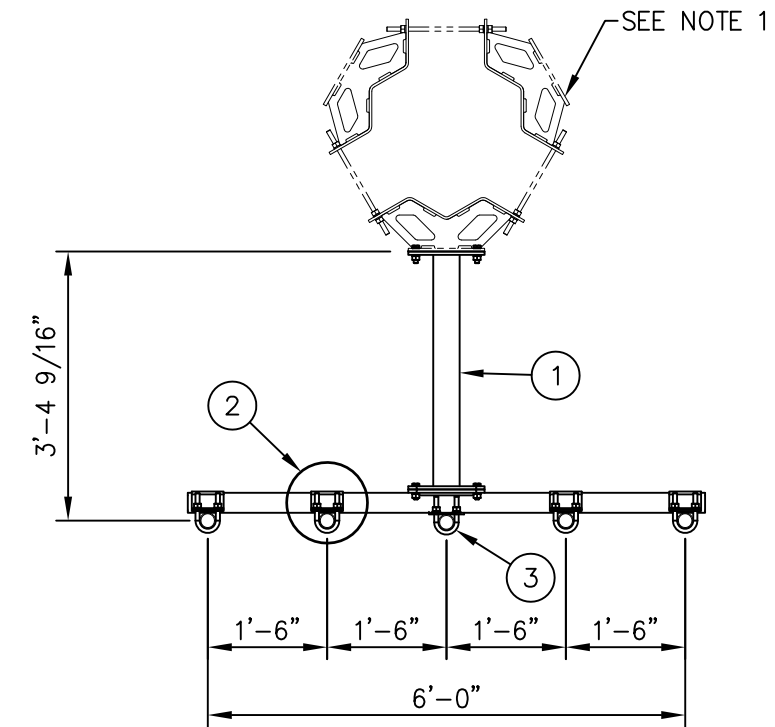


C10113452 T-ARM ASSEMBLY

| ITEM | QTY. | PART NO.  | DESCRIPTION                              | WEIGHT |
|------|------|-----------|--|--------|
| 1.   | 1    | C10113402 | KIT, 6'-6" T-ARM                         | 124    |
| 2.   | 4    | C40207001 | KIT, PIPE MOUNT (CLAMP + 2 U-BOLTS)      | 23     |
| 3.   | 2    | C40034023 | U-BOLT ASSEMBLY, 5/8 $\phi$ X 3 1/16 C-C | 3      |
|      |      |           | TOTAL WEIGHT                             | 150    |



ISOMETRIC VIEW



PLAN VIEW

NOTES:

1. TRI-COLLAR MOUNTS ARE SHOWN TYPICAL AND MUST BE PURCHASED SEPARATELY.
2. 2 3/8" O.D. MOUNTING PIPE MUST BE PURCHASED SEPARATELY.
3. QUANTITIES SHOWN IN LIST OF MATERIAL ARE FOR ONE (1) T-ARM ASSEMBLY ONLY.

UNLESS OTHERWISE SPECIFIED  
ALL DIMENSIONS INCLUDE  
FINISHES AND ARE IN INCHES

TOLERANCES: FRACTIONS  $\pm 1/16"$   
ANGLES  $\pm 1/2$  DEG.  
DECIMALS  $\pm .010"$

MATERIAL:

TOLERANCES DO NOT APPLY  
TO RAW MATERIAL



**CONFIDENTIAL**

This document and the information contained herein is the confidential trade secret property of Sabre Communications Corporation ("Sabre") and must not be reproduced, copied or used, in whole or in part, for any purpose without the prior written consent of Sabre.

© 2014 Sabre Communications Corporation. All rights reserved.

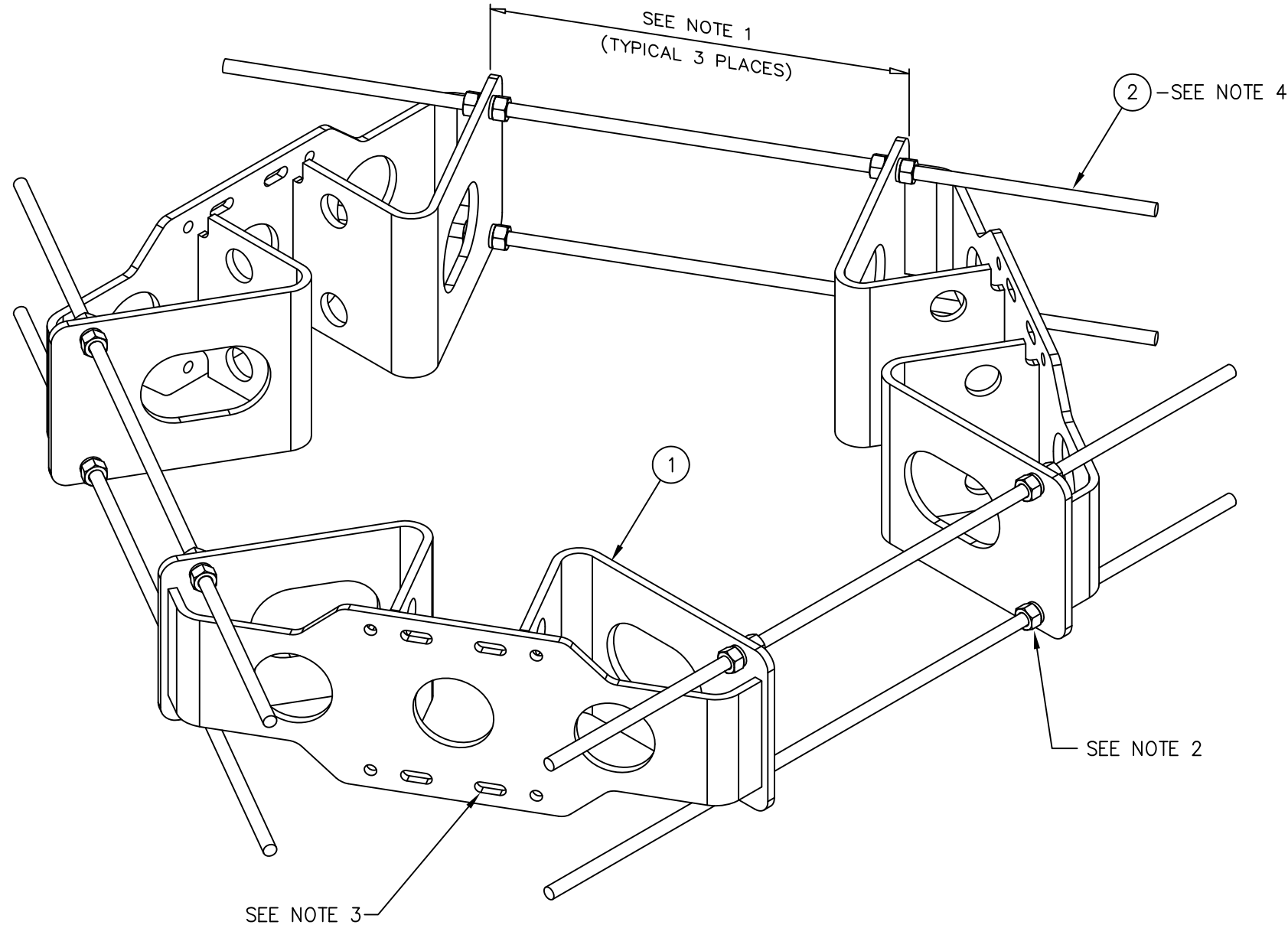
T-ARM ASSEMBLY  
3'-0" ARM WITH 6'-6" FACE  
W/ANTENNA MOUNTING PIPE HARDWARE  
NO ANTENNA MOUNTING PIPES

| REV | DATE | DRW/CHK | DESCRIPTION | DATE   | DRAWN BY | CHECKED BY | SIZE | DRAWING NO. | REV | SCALE | PAGE   |
|-----|------|---------|-------------|--------|----------|------------|------|-------------|-----|-------|--------|
|     |      |         |             | 6/4/09 | MLC      | MC         | B    | C10113452   | 0   | None  | 1 OF 1 |



C10112301 TRI-COLLAR ASSEMBLY (12"-60" MONOPOLE)

| ITEM         | QTY. | PART. NO. | DESCRIPTION                             | WEIGHT |
|--------------|------|-----------|---|--------|
| 1.           | 3    | CW00843   | WELDMENT, TRI-COLLAR (12"-60" MONOPOLE) | 294    |
| 2.           | 6    | C40094010 | THREADED ROD ASSEMBLY 3/4 X 4'-4"       | 36     |
| TOTAL WEIGHT |      |           |   | 330    |



ISOMETRIC VIEW

NOTES:

1. THIS DISTANCE MUST BE EQUAL IN ALL (3) THREE LOCATIONS TO ENSURE THE STRUCTURAL INTEGRITY OF THE THREADED RODS AS WELL AS 120° SEPARATION.
2. FOR MONOPOLES 13" DIA. OR SMALLER, ONLY (1) ONE NUT AND (1) ONE LOCKWASHER ARE REQUIRED BETWEEN THE TRI-COLLAR BRACKETS. FOR MONOPOLES LARGER THAN 13" DIA., (2) TWO NUTS AND (2) TWO LOCKWASHERS ARE REQUIRED BETWEEN THE TRI-COLLAR BRACKETS.
3. THE MOUNTING SLOTS NOTED WILL ACCOMMODATE 2 3/8"-4 1/2" O.D. MOUNTING PIPES.
4. THREADED ROD MAY BE SHORTENED IF REQUIRED, FIELD CUT AND COLD GALV SPRAY TO SUIT.

UNLESS OTHERWISE SPECIFIED  
ALL DIMENSIONS INCLUDE  
FINISHES AND ARE IN INCHES  
TOLERANCES: FRACTIONS ± 1/16"  
ANGLES ± 1/2 DEG.  
DECIMALS ± .010"

MATERIAL:  
  
TOLERANCES DO NOT APPLY  
TO RAW MATERIAL



TRI-COLLAR BRACKET ASSEMBLY  
FOR MONOPOLES (12"-60" DIA.)  
(CIRCUMFERENCE 37.7" TO 188.5")

| REV | DATE   | DRW | CHK | DESCRIPTION        |
|-----|--------|-----|-----|--------------------|
| 1   | 1/6/10 | MLC | MC  | REDRAWN IN AUTOCAD |

**CONFIDENTIAL**  
This document and the information contained herein is the confidential trade secret property of Sabre Communications Corporation ("Sabre") and must not be reproduced, copied or used, in whole or in part, for any purpose without the prior written consent of Sabre.  
© 2014 Sabre Communications Corporation. All rights reserved.

|            |         |           |                          |               |
|------------|---------|-----------|--------------------------|---------------|
| DATE       | 8/21/09 | SIZE<br>B | DRAWING NO.<br>C10112301 | REV<br>1      |
| DRAWN BY   | JV      |           |                          | SCALE<br>None |
| CHECKED BY | MLC     |           |                          |               |