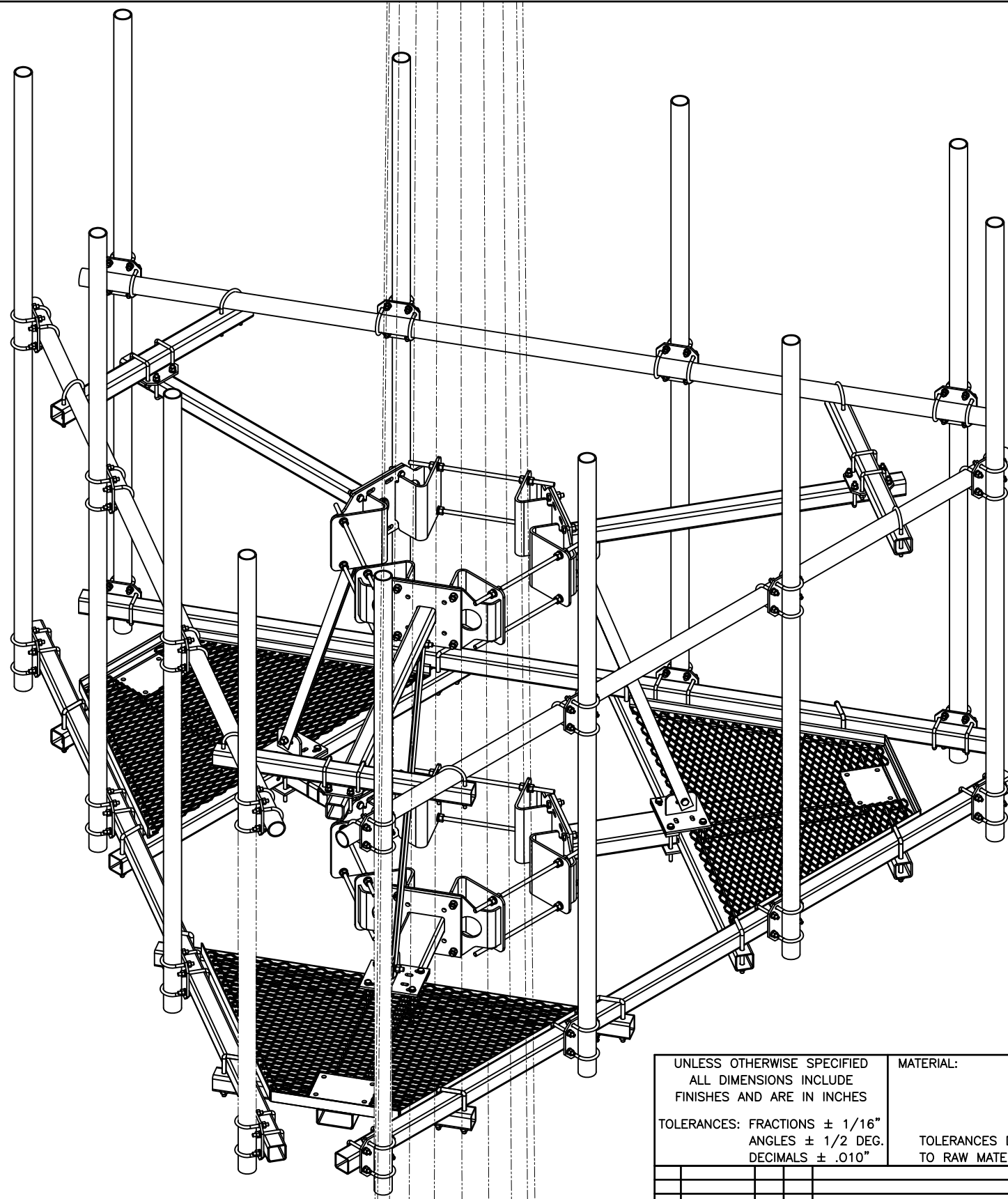




C10855721C SABRE 12' HD TENSION PLATFORM W/(12) 2 7/8" O.D. X 10' MTG PIPES

ITEM	QTY.	PART NO.	DESCRIPTION	WEIGHT
1.	1	C10855111C	12' HC PLATFORM ASSEMBLY	913
2.	1	C10112377	TRI-COLLAR BRACKET ASSEMBLY	208
3.	1	C10851301	SUPPORT RAIL/TENSION BRACKET 12'	900
4.	12	C10902025	CROSSOVER PLATE KIT 2 7/8"Ø TO 2 7/8"Ø PIPES	108
5.	12	C10902502	CROSSOVER PLATE KIT 3" SQ. TUBE TO 2 7/8"Ø PIPES	108
6.	12	C10901329	PIPE, 2 7/8" O.D. X .203 X 10'-0	722
TOTAL WEIGHT				2959



ISOMETRIC VIEW  
SEE PAGES 2 & 3  
FOR ADDITIONAL DETAILS

Patent Pending

UNLESS OTHERWISE SPECIFIED  
ALL DIMENSIONS INCLUDE  
FINISHES AND ARE IN INCHES  
TOLERANCES: FRACTIONS ± 1/16"  
ANGLES ± 1/2 DEG.  
DECIMALS ± .010"

MATERIAL:  
TOLERANCES DO NOT APPLY  
TO RAW MATERIAL

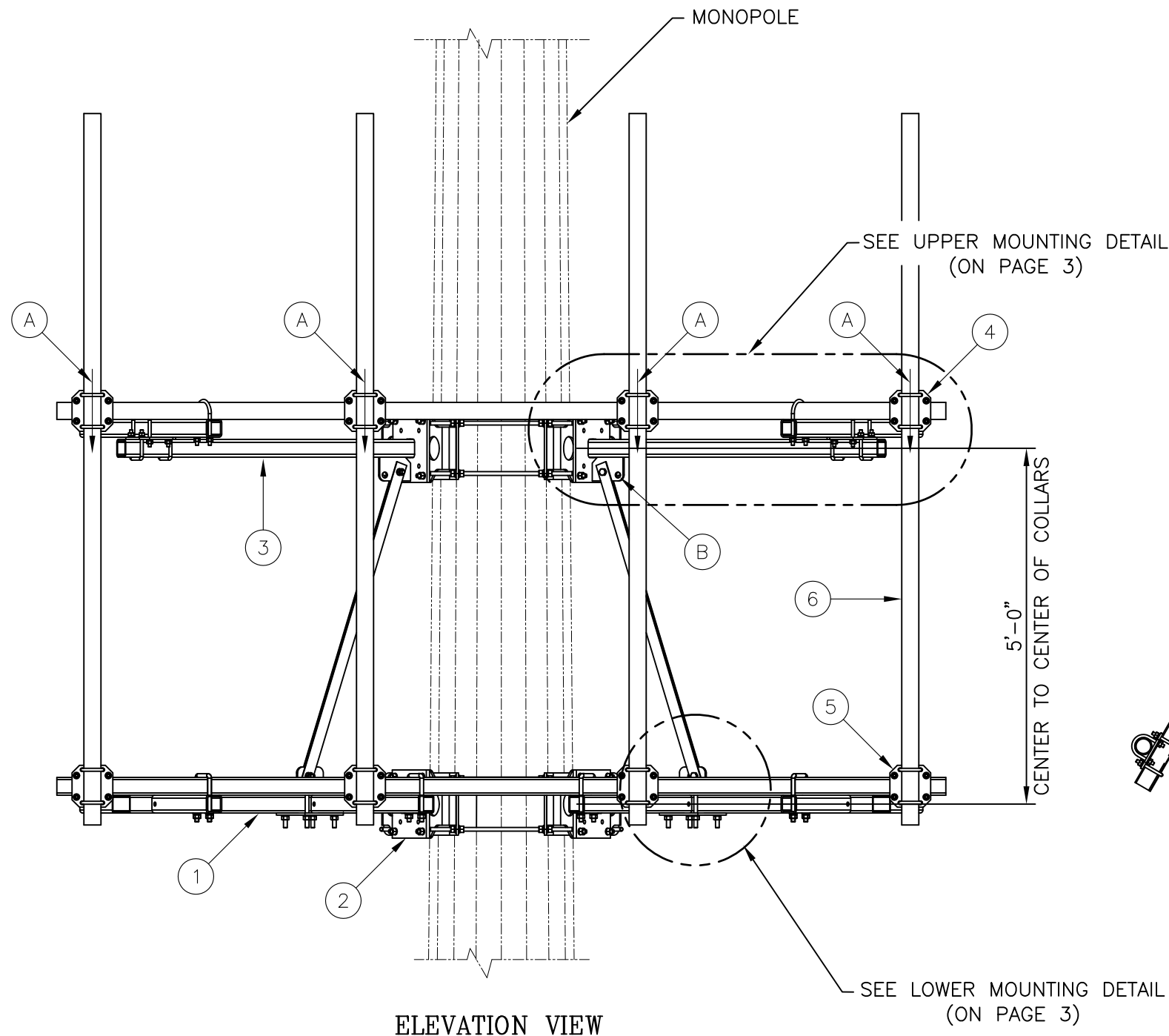


12' HD M.O.V.E. PLATFORM  
W/(12) 2 7/8" O.D. X 10' MOUNTING PIPES

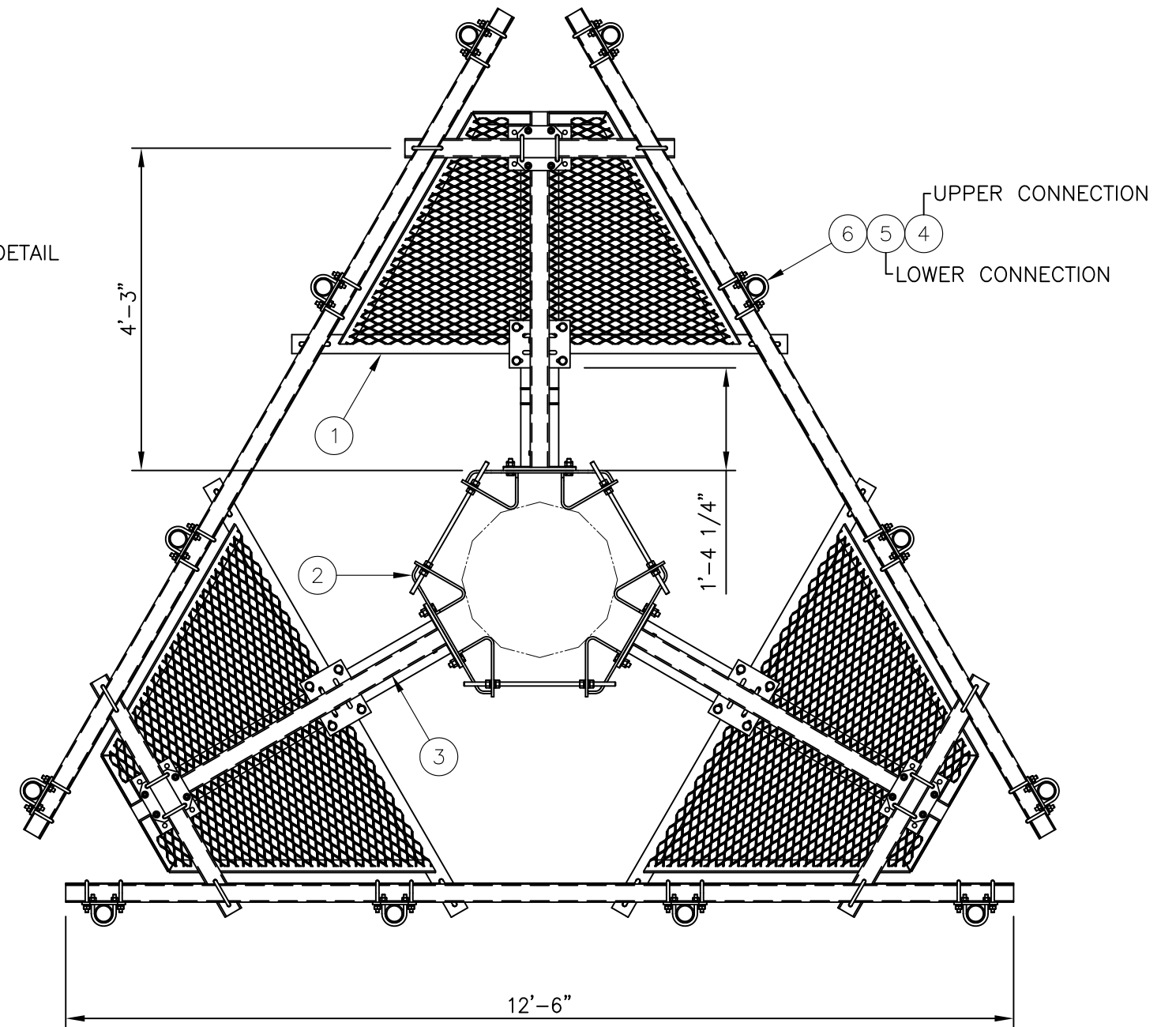
REV	DATE	DRWCHK	DESCRIPTION

**CONFIDENTIAL**  
This document and the information  
contained herein is the confidential trade  
secret property of Sabre Communications  
Corporation ("Sabre") and must not be  
reproduced, copied or used, in whole or in  
part, for any purpose without the prior  
written consent of Sabre.  
© 2016 Sabre Communications Corporation.  
All rights reserved.

DATE	10/18/17	SIZE	B	DRAWING NO.	C10855721C	REV	0
DRAWN BY	WRF	CHECKED BY	WMN	SCALE	None	PAGE	1 OF 3



ELEVATION VIEW



PLAN VIEW

**NOTES:**

1. SABRE INDUSTRIES RECOMMENDS A FALL PROTECTION PLAN BE COMPLETED AND FOLLOWED BY A COMPETENT PERSON FOR EACH CLIMB.
2. ANY CONSTRUCTION OR MAINTENANCE MUST BE PERFORMED IN ACCORDANCE WITH THE REQUIREMENTS OF ANSI/TIA-222, ANSI/TIA-322 AND ANSI/TIA-1019A.
3. LOCATIONS LABELED "A" HAVE BEEN DESIGNED FOR A 500 LB. VERTICAL LIVE LOAD CONSIDERED WITH A 30 MPH 3-SECOND GUST WIND SPEED. THIS LOAD CAN ONLY BE APPLIED AT ONE LOCATION AT A TIME. ARROW SHOWN REPRESENTS THE VERTICAL LOAD. CONNECTION AND RIGGING TO BE DETERMINED BY A COMPETENT RIGGER IN ACCORDANCE WITH ANSI/TIA-1019A.
4. LOCATIONS LABELED "B" HAVE BEEN DESIGNED FOR A 3600 LB. VERTICAL FACTORED LOAD IN ACCORDANCE WITH TIA-222 SECTION 12.

UNLESS OTHERWISE SPECIFIED ALL DIMENSIONS INCLUDE FINISHES AND ARE IN INCHES		MATERIAL:	
TOLERANCES: FRACTIONS $\pm 1/16"$ ANGLES $\pm 1/2$ DEG. DECIMALS $\pm .010"$		TOLERANCES DO NOT APPLY TO RAW MATERIAL	
REV	DATE	DRW/CHK	DESCRIPTION

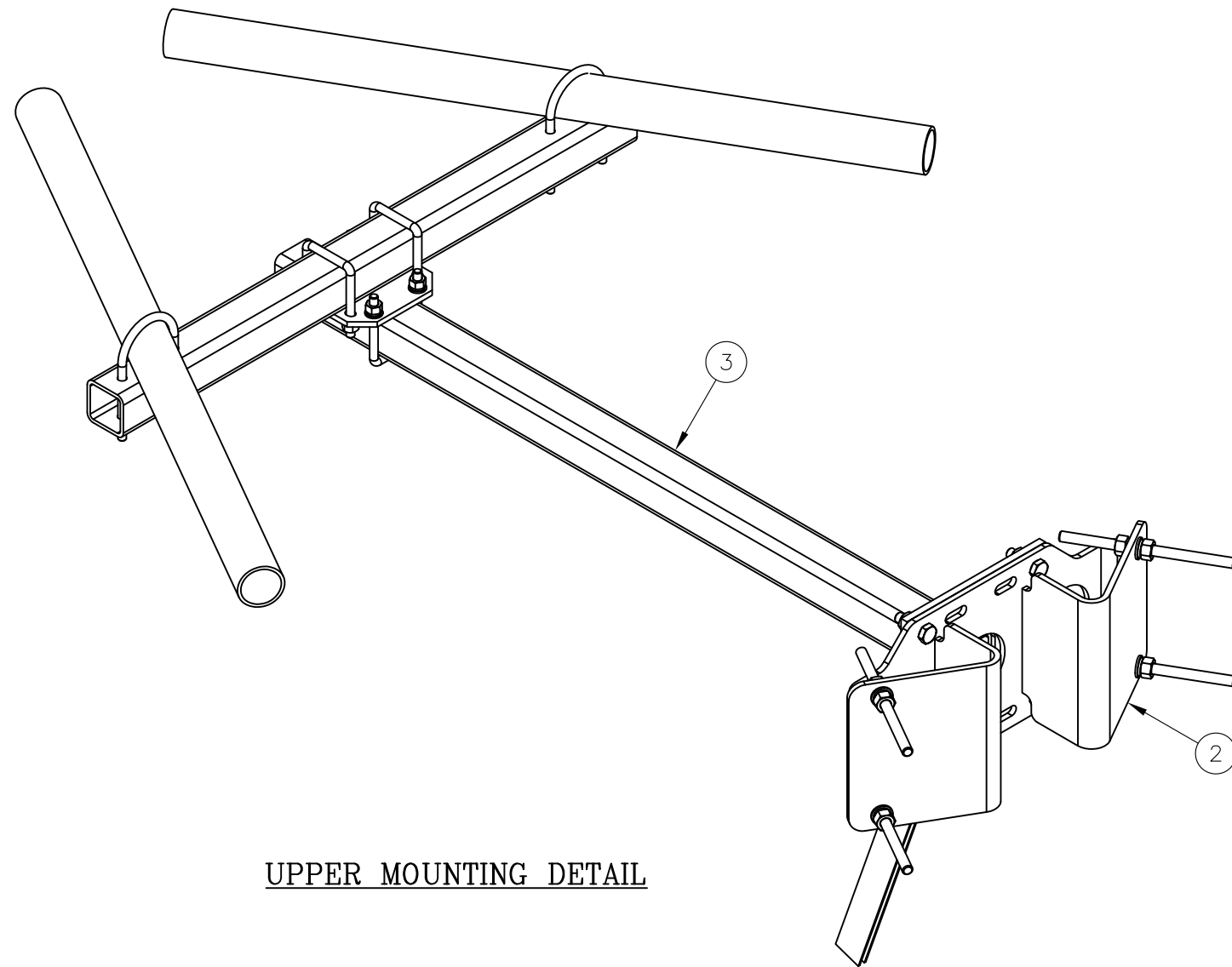
**Sabre Industries™**  
Towers and Poles

**CONFIDENTIAL**

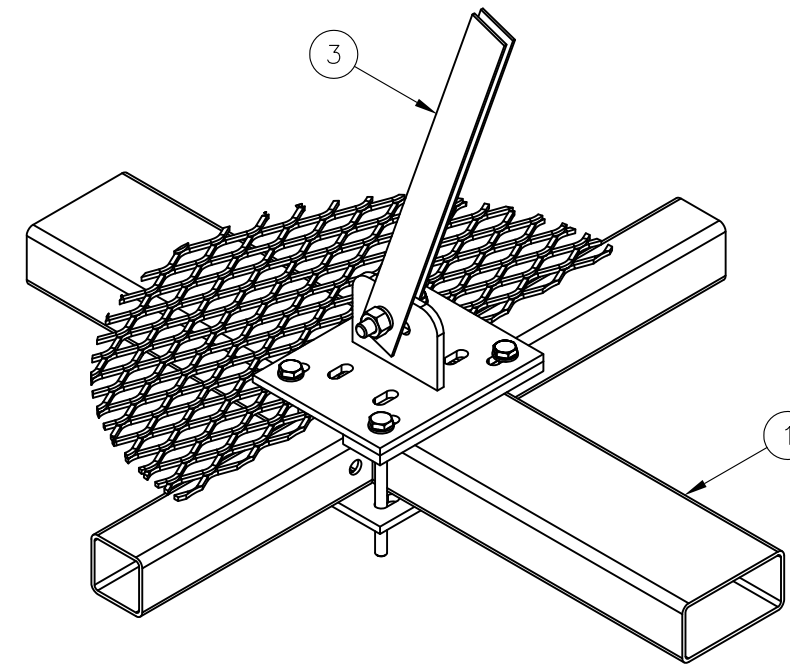
This document and the information contained herein is the confidential trade secret property of Sabre Communications Corporation ("Sabre") and must not be reproduced, copied or used, in whole or in part, for any purpose without the prior written consent of Sabre.

© 2016 Sabre Communications Corporation. All rights reserved.

12' HD M.O.V.E. PLATFORM W/(12) 2 7/8" O.D. X 10' MOUNTING PIPES			
DATE	10/18/17	SIZE	B
DRAWN BY	WRF	DRAWING NO.	C10855721C
CHECKED BY	WMN	SCALE	None
		PAGE	2 OF 3
		REV	0



UPPER MOUNTING DETAIL



LOWER MOUNTING DETAIL

UNLESS OTHERWISE SPECIFIED  
ALL DIMENSIONS INCLUDE  
FINISHES AND ARE IN INCHES  
TOLERANCES: FRACTIONS  $\pm 1/16"$   
ANGLES  $\pm 1/2$  DEG.  
DECIMALS  $\pm .010"$

MATERIAL:  
TOLERANCES DO NOT APPLY  
TO RAW MATERIAL



12' HD M.O.V.E. PLATFORM  
W/(12) 2 7/8" O.D. X 10' MOUNTING PIPES

REV	DATE	DRW/CHK	DESCRIPTION

**CONFIDENTIAL**  
This document and the information  
contained herein is the confidential trade  
secret property of Sabre Communications  
Corporation ("Sabre") and must not be  
reproduced, copied or used, in whole or in  
part, for any purpose without the prior  
written consent of Sabre.  
© 2016 Sabre Communications Corporation.  
All rights reserved.

DATE	10/18/17	SIZE	B	DRAWING NO.	C10855721C	REV	0
DRAWN BY	WRF	SCALE	None	PAGE	3 OF 3		
CHECKED BY	WMN						