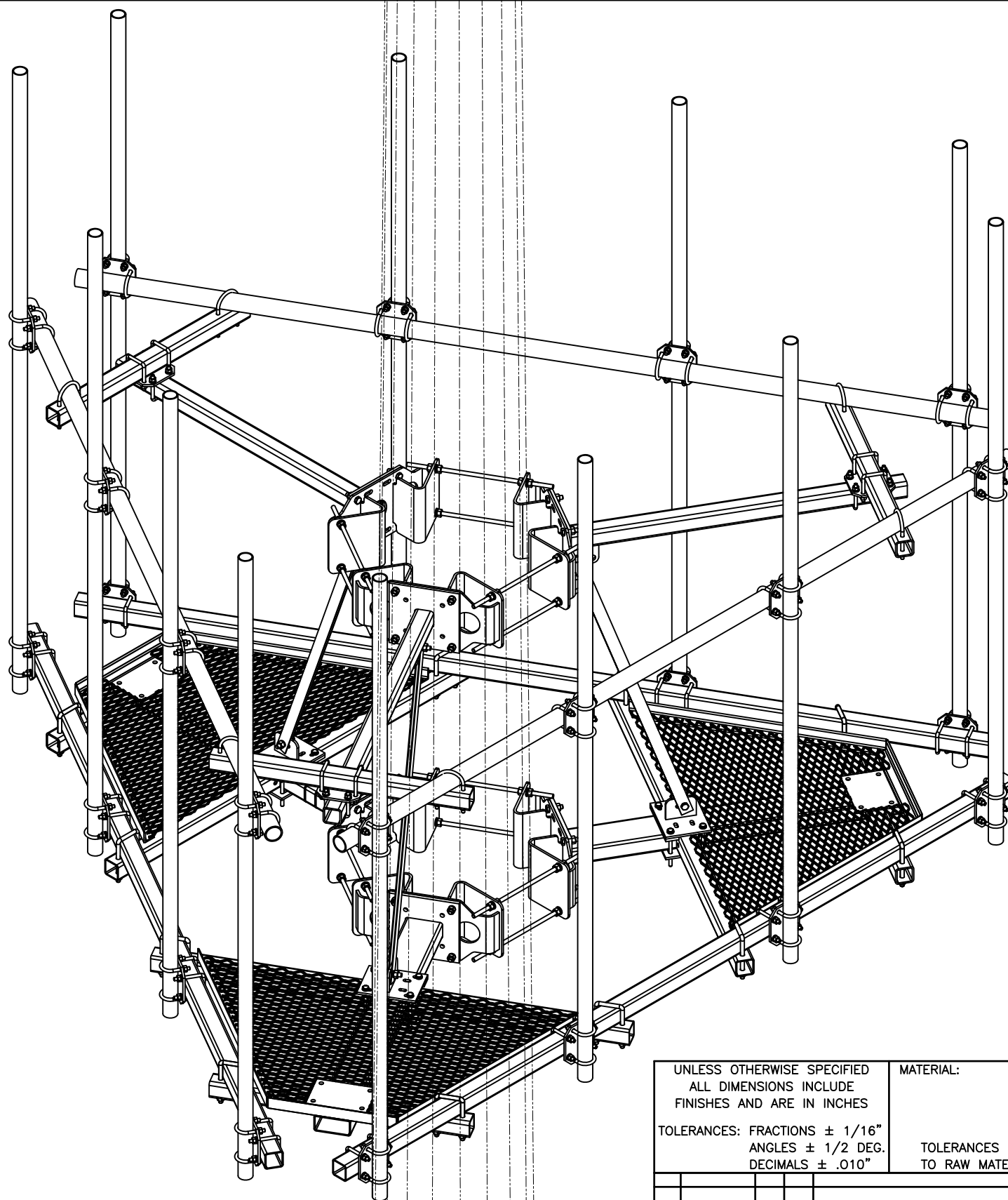




C10855711C SABRE 12' HC TENSION PLATFORM W/(12) 2 3/8" O.D. X 10' MTG PIPES

ITEM	QTY.	PART NO.	DESCRIPTION	WEIGHT
1.	1	C10855111C	12' HC PLATFORM ASSEMBLY	913
2.	1	C10112377	TRI-COLLAR BRACKET ASSEMBLY	208
3.	1	C10851301	SUPPORT RAIL/TENSION BRACKET 12'	900
4.	12	C10902012	CROSSOVER PLATE KIT 2 3/8"Ø TO 2 7/8"Ø PIPES	96
5.	12	C10902501	CROSSOVER PLATE KIT 3" SQ. TUBE TO 2 3/8"Ø PIPES	96
6.	12	C10901224	PIPE, 2 3/8" O.D. X .154 X 10'-0	456
TOTAL WEIGHT				2669



ISOMETRIC VIEW
SEE PAGES 2 & 3
FOR ADDITIONAL DETAILS

Patent Pending

UNLESS OTHERWISE SPECIFIED
ALL DIMENSIONS INCLUDE
FINISHES AND ARE IN INCHES
TOLERANCES: FRACTIONS ± 1/16"
ANGLES ± 1/2 DEG.
DECIMALS ± .010"

MATERIAL:
TOLERANCES DO NOT APPLY
TO RAW MATERIAL

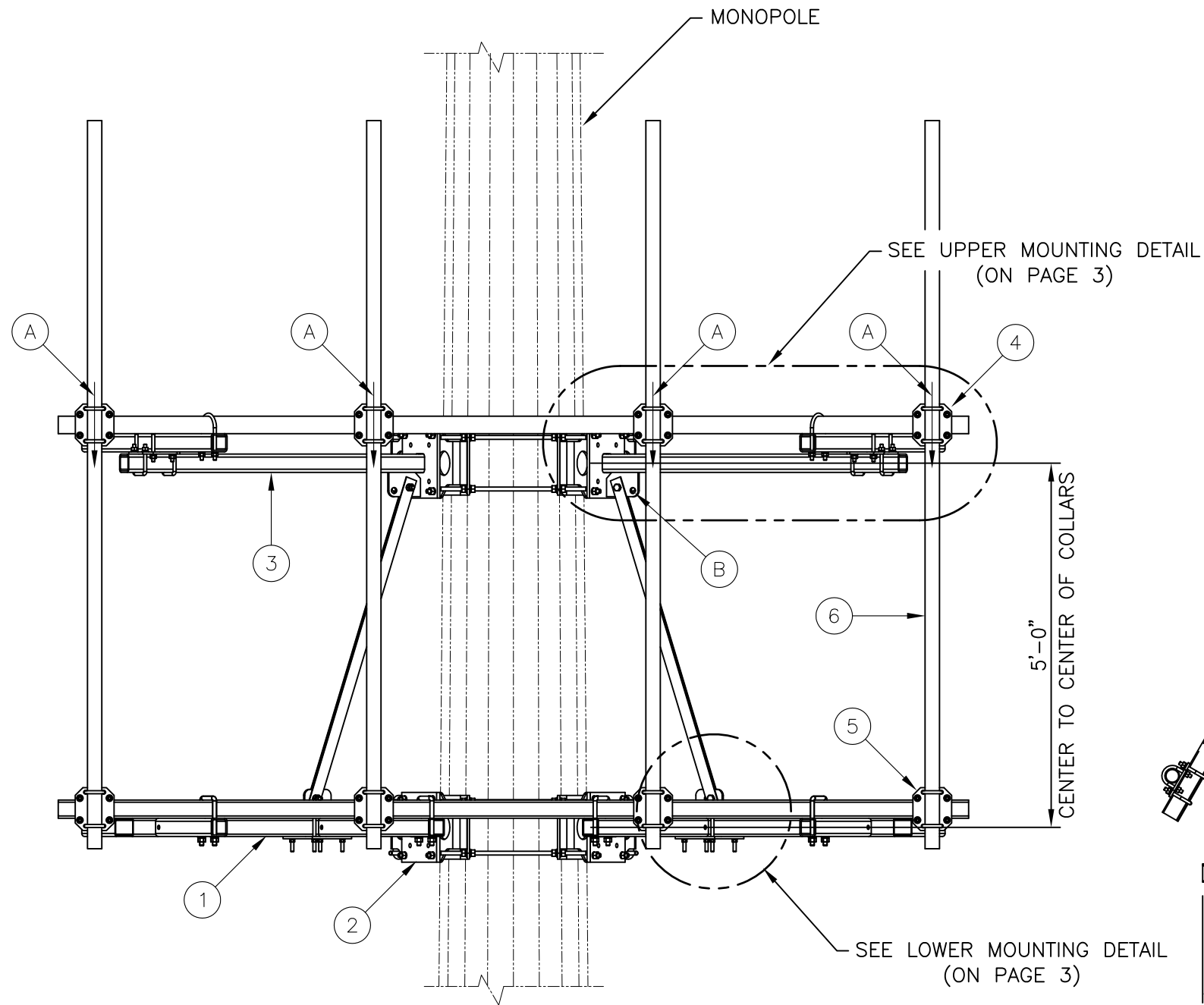


CONFIDENTIAL
This document and the information
contained herein is the confidential trade
secret property of Sabre Communications
Corporation ("Sabre") and must not be
reproduced, copied or used, in whole or in
part, for any purpose without the prior
written consent of Sabre.
© 2016 Sabre Communications Corporation.
All rights reserved.

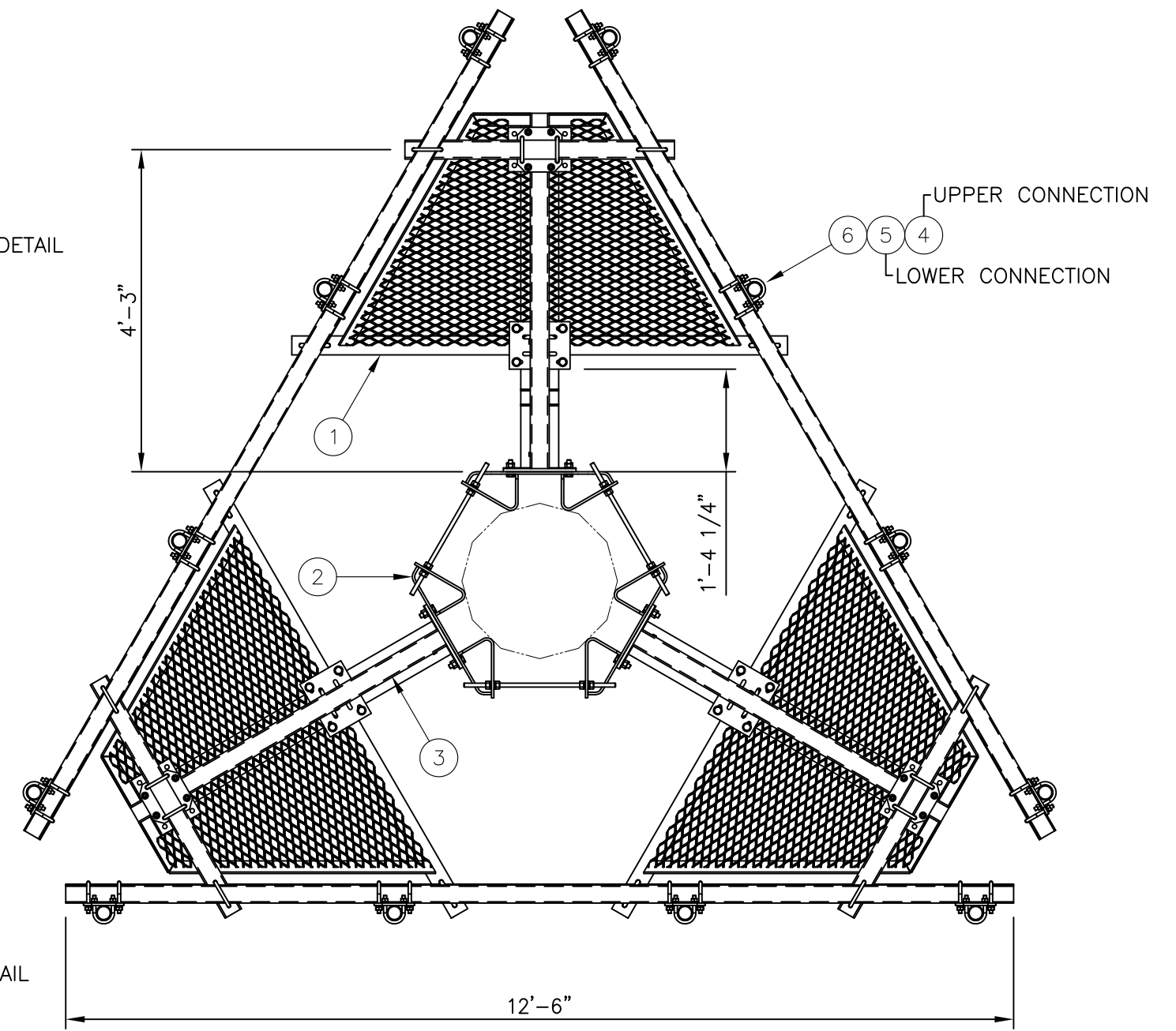
12' HC M.O.V.E. PLATFORM
W/(12) 2 3/8" O.D. X 10' MOUNTING PIPES

REV	DATE	DRWCHK	DESCRIPTION

DATE	10/18/17	SIZE	B	DRAWING NO.	C10855711C	REV	0
DRAWN BY	WRF			SCALE	None	PAGE	1 OF 3
CHECKED BY	WMN						



ELEVATION VIEW



PLAN VIEW

NOTES:

1. SABRE INDUSTRIES RECOMMENDS A FALL PROTECTION PLAN BE COMPLETED AND FOLLOWED BY A COMPETENT PERSON FOR EACH CLIMB.
2. ANY CONSTRUCTION OR MAINTENANCE MUST BE PERFORMED IN ACCORDANCE WITH THE REQUIREMENTS OF ANSI/TIA-222, ANSI/TIA-322 AND ANSI/TIA-1019A.
3. LOCATIONS LABELED "A" HAVE BEEN DESIGNED FOR A 500 LB. VERTICAL LIVE LOAD CONSIDERED WITH A 30 MPH 3-SECOND GUST WIND SPEED. THIS LOAD CAN ONLY BE APPLIED AT ONE LOCATION AT A TIME. ARROW SHOWN REPRESENTS THE VERTICAL LOAD. CONNECTION AND RIGGING TO BE DETERMINED BY A COMPETENT RIGGER IN ACCORDANCE WITH ANSI/TIA-1019A.
4. LOCATIONS LABELED "B" HAVE BEEN DESIGNED FOR A 3600 LB. VERTICAL FACTORED LOAD IN ACCORDANCE WITH TIA-222 SECTION 12.

UNLESS OTHERWISE SPECIFIED
ALL DIMENSIONS INCLUDE
FINISHES AND ARE IN INCHES

TOLERANCES: FRACTIONS $\pm 1/16"$
ANGLES $\pm 1/2$ DEG.
DECIMALS $\pm .010"$

MATERIAL:

TOLERANCES DO NOT APPLY
TO RAW MATERIAL

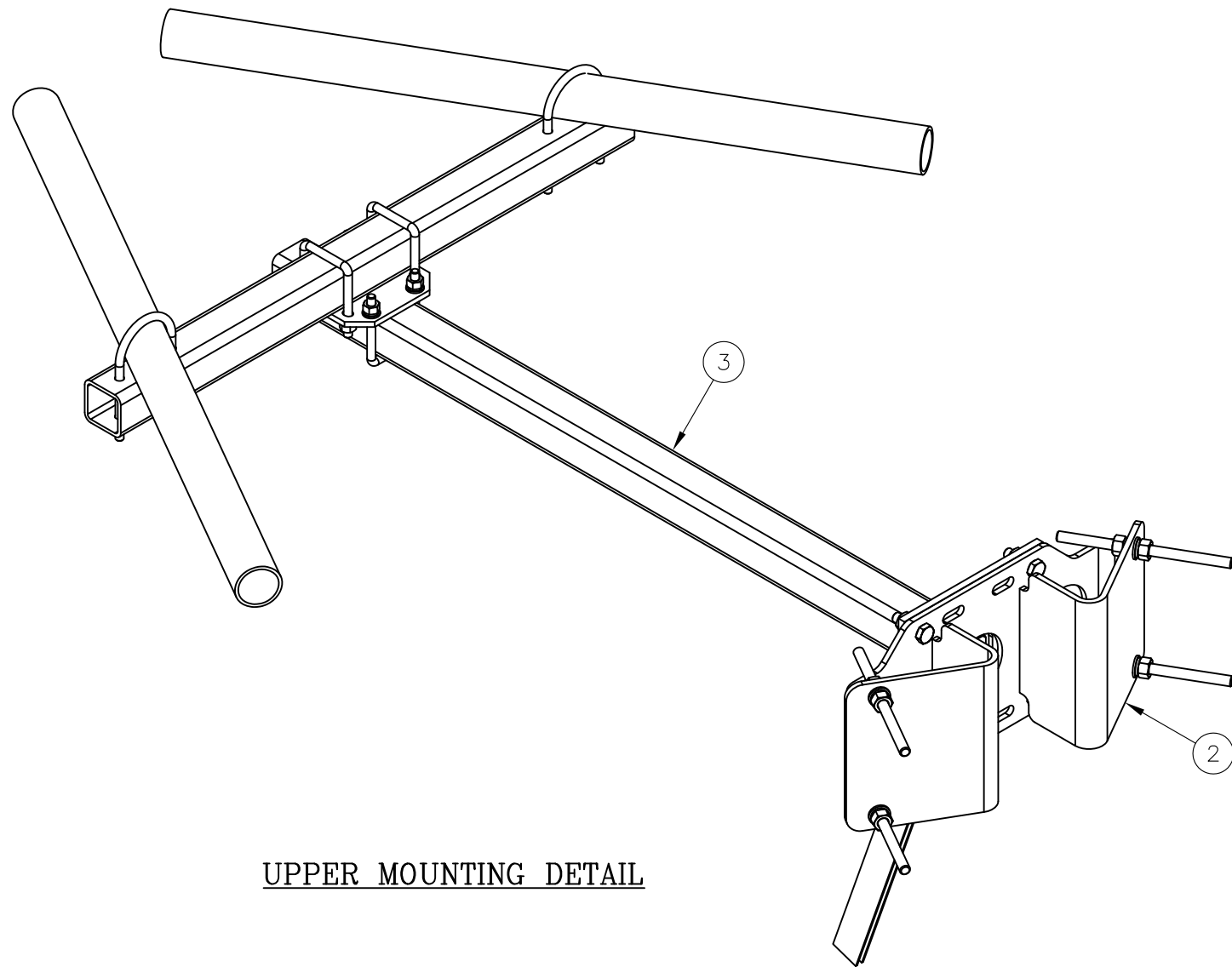


CONFIDENTIAL
This document and the information contained herein is the confidential trade secret property of Sabre Communications Corporation ("Sabre") and must not be reproduced, copied or used, in whole or in part, for any purpose without the prior written consent of Sabre.
© 2016 Sabre Communications Corporation. All rights reserved.

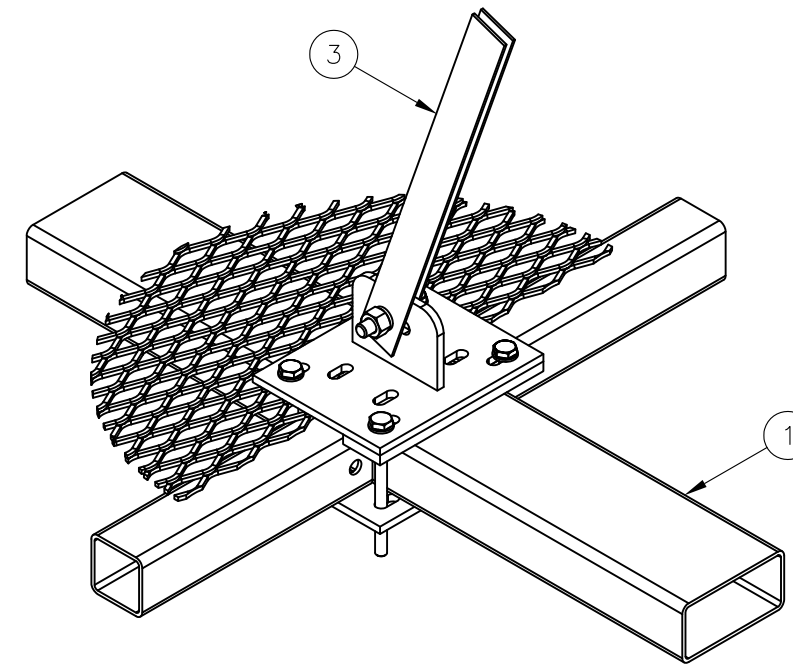
12' HC M.O.V.E. PLATFORM
W/(12) 2 3/8" O.D. X 10' MOUNTING PIPES

REV	DATE	DRW/CHK	DESCRIPTION

DATE	10/18/17	SIZE	B	DRAWING NO.	C10855711C	REV	0
DRAWN BY	WRF	CHECKED BY	WMN	SCALE	None	PAGE	2 OF 3



UPPER MOUNTING DETAIL



LOWER MOUNTING DETAIL

UNLESS OTHERWISE SPECIFIED
ALL DIMENSIONS INCLUDE
FINISHES AND ARE IN INCHES
TOLERANCES: FRACTIONS $\pm 1/16"$
ANGLES $\pm 1/2$ DEG.
DECIMALS $\pm .010"$

MATERIAL:
TOLERANCES DO NOT APPLY
TO RAW MATERIAL



12' HC M.O.V.E. PLATFORM
W/(12) 2 3/8" O.D. X 10' MOUNTING PIPES

REV	DATE	DRW/CHK	DESCRIPTION

CONFIDENTIAL
This document and the information
contained herein is the confidential trade
secret property of Sabre Communications
Corporation ("Sabre") and must not be
reproduced, copied or used, in whole or in
part, for any purpose without the prior
written consent of Sabre.
© 2016 Sabre Communications Corporation.
All rights reserved.

DATE	10/18/17	SIZE	B	DRAWING NO.	C10855711C	REV	0
DRAWN BY	WRF	CHECKED BY	WMN	SCALE	None	PAGE	3 OF 3