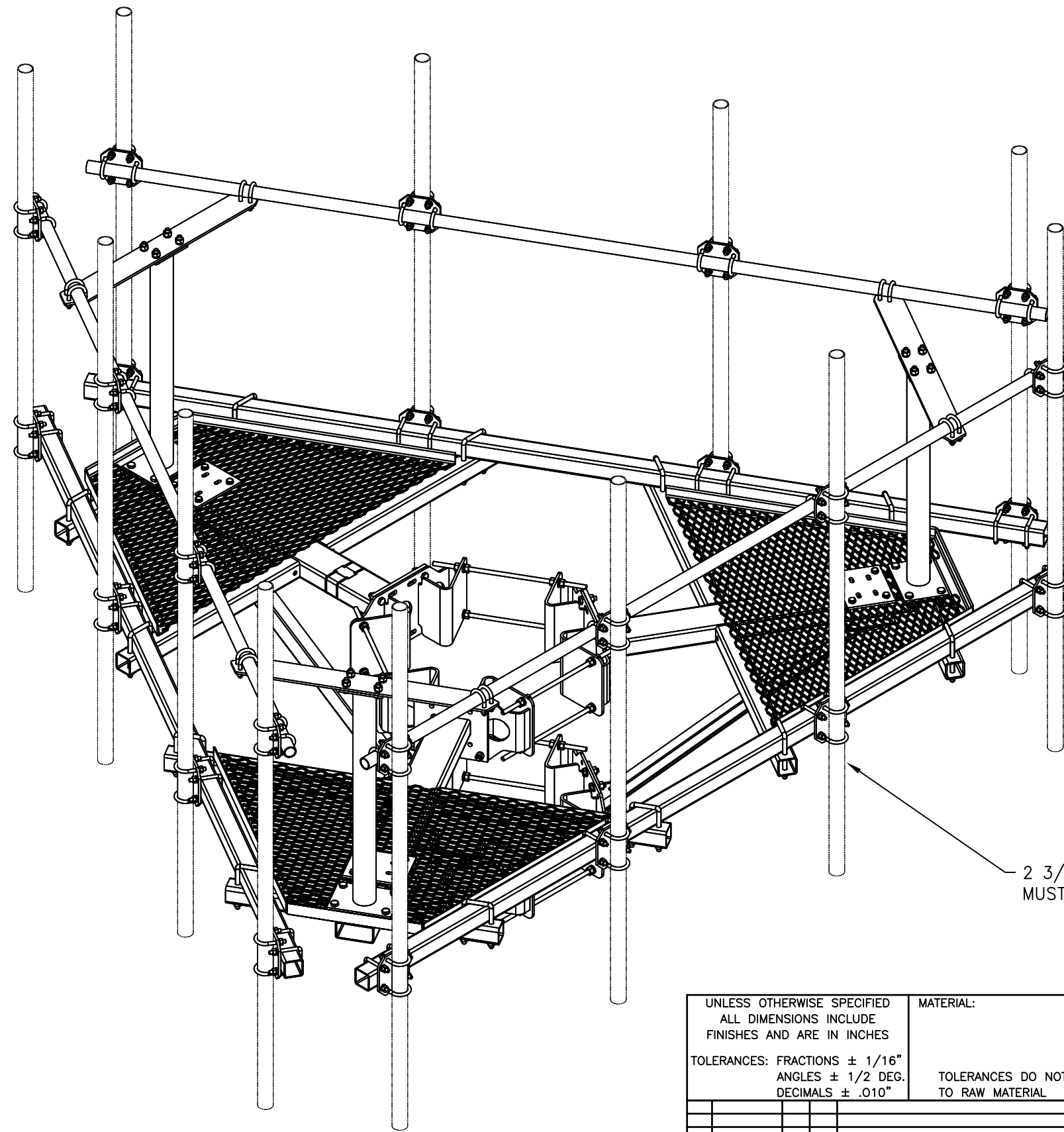




C1085566C 12' HD PLATFORM W/COLLARS, CROSSOVERS & ENHANCED SUPPORT RAIL

ITEM	QTY.	PART NO.	DESCRIPTION	WEIGHT
1.	2	C10112377	TRI-COLLAR BRACKET ASSEMBLY (10"-40" MONOPOLE)	416
2.	3	CW01320	WELDMENT, PLATFORM CORNER	612
3.	3	CS03348	SQUARE TUBE, 3 X 3 X 3/16 X 12'-6	268
4.	3	CS03354	PLATE, UPPER CONNECTION	22
5.	3	CW01322	WELDMENT, KICKER SUPPORT	31
6.	3	CW01291	WELDMENT, KICKER SUPPORT	32
7.	6	CS03372	ANGLE, KICKER	82
8.	3	CW01321	WELDMENT, POST 3 1/2" O.D. X 3'-4	107
9.	3	CS03349	PLATE, CONNECTION 3/8 X 4 3/8 X 3'-6 1/16	56
10.	3	CS02229	PIPE, 1.9 O.D. X .145 X 12'-6	106
11.	12	CS03350	CROSSOVER PLATE	53
12.	12	CS03335	CROSSOVER PLATE	43
13.	18	C40026024	BOLT ASSEMBLY, 5/8 $\phi$ X 2 1/4 A325	9
14.	36	C40026023	BOLT ASSEMBLY, 5/8 $\phi$ X 2 A325	17
15.	12	C40024106	BOLT ASSEMBLY, 1/2 $\phi$ X 6 1/2 GR5 FULL THD	5
16.	12	C40031003	FLATWASHER, 5/8 $\phi$ HARDENED ASTM F436	1
17.	24	C40031002	FLATWASHER, 1/2 $\phi$ HARDENED ASTM F436	1
18.	12	C40035017	SQ. U-BOLT ASSEMBLY, 5/8 $\phi$ X 4 1/4 C-C	25
19.	36	C40034060	U-BOLT ASSEMBLY, 1/2 $\phi$ X 2 9/16 C-C	26
20.	24	C40035106	SQ. U-BOLT ASSEMBLY, 1/2 $\phi$ X 3 5/8 C-C	23
21.	48	C40034139	U-BOLT ASSEMBLY, 1/2 $\phi$ X 2 15/16 C-C	39
22.	1	Z30992016	MOUNT CLASSIFICATION TAG C10855665C	1
23.	2	C40062104	STAINLESS STEEL SELF-LOCKING CABLE TIE	1

TOTAL WEIGHT 1976



2 3/8"  $\phi$  MOUNTING PIPES  
MUST BE PURCHASED SEPARATELY

ISOMETRIC VIEW

SEE PAGES 2 & 3 FOR ADDITIONAL DETAILS

UNLESS OTHERWISE SPECIFIED  
ALL DIMENSIONS INCLUDE  
FINISHES AND ARE IN INCHES  
TOLERANCES: FRACTIONS  $\pm 1/16"$   
ANGLES  $\pm 1/2$  DEG.  
DECIMALS  $\pm .010"$

MATERIAL:  
TOLERANCES DO NOT APPLY  
TO RAW MATERIAL

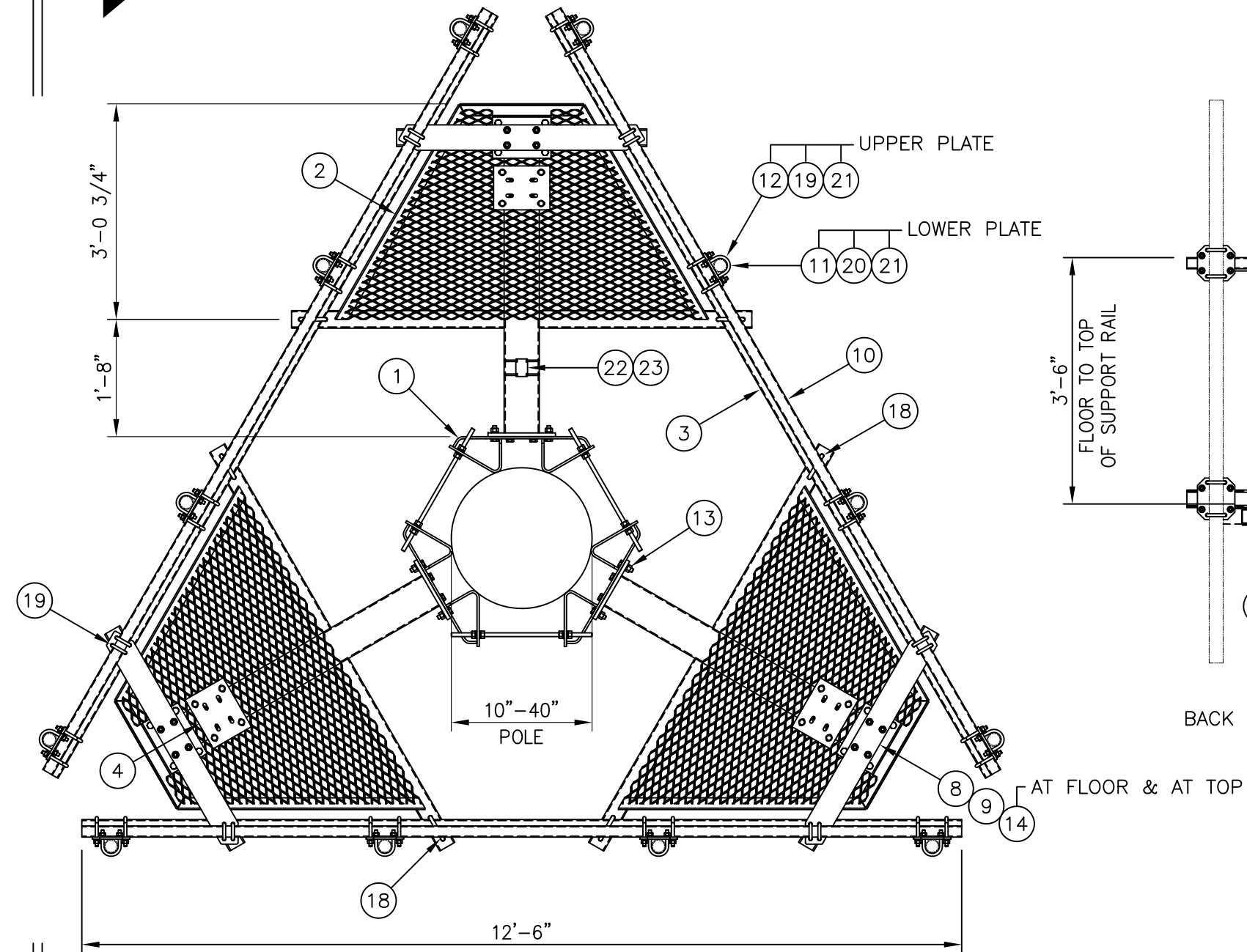


**CONFIDENTIAL**  
This document and the information  
contained herein is the confidential trade  
secret property of Sabre Communications  
Corporation ("Sabre") and must not be  
reproduced, copied or used, in whole or in  
part, for any purpose without the prior  
written consent of Sabre.  
© 2016 Sabre Communications Corporation.  
All rights reserved.

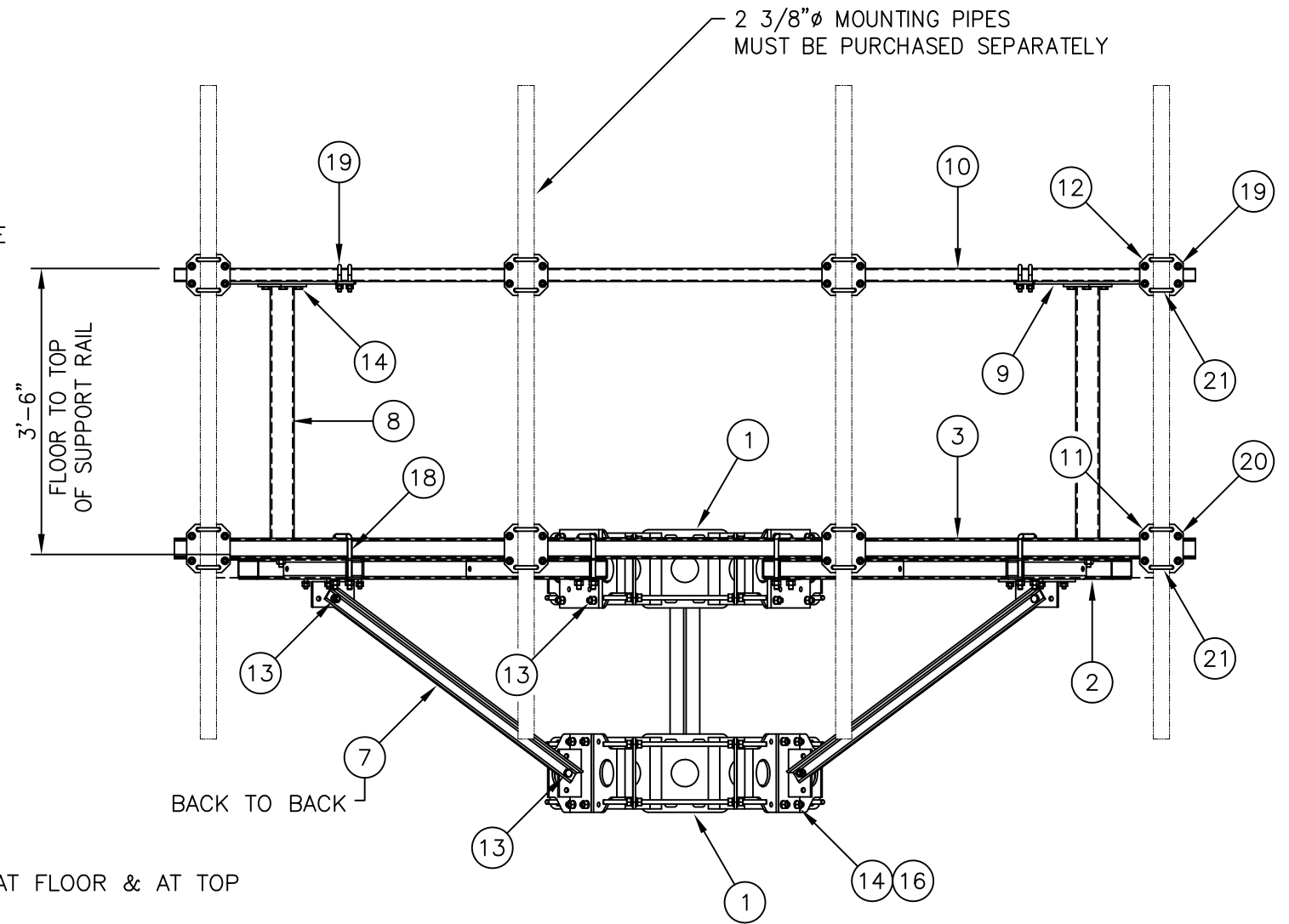
12' HD PLATFORM WITH COLLARS  
& ENHANCED SUPPORT RAIL,  
1.9"  $\phi$  - 2 3/8"  $\phi$  CROSSOVER  
2 3/8"  $\phi$  - 3" SQUARE CROSSOVER  
FITS 10"  $\phi$  TO 40"  $\phi$  MONOPOLES

REV	DATE	DRW	CHK	DESCRIPTION
1	04/18/16	WRF	KLE	DESIGN UPDATE

DATE	02/16/16	SIZE	DRAWING NO.	REV
DRAWN BY	WRF	B	C10855666C	1
CHECKED BY	KLE	SCALE	None	PAGE
				1 OF 3



PLAN VIEW



FRONT VIEW

UNLESS OTHERWISE SPECIFIED  
ALL DIMENSIONS INCLUDE  
FINISHES AND ARE IN INCHES

TOLERANCES: FRACTIONS  $\pm 1/16"$   
ANGLES  $\pm 1/2$  DEG.  
DECIMALS  $\pm .010"$

MATERIAL:

TOLERANCES DO NOT APPLY  
TO RAW MATERIAL



**CONFIDENTIAL**

This document and the information contained herein is the confidential trade secret property of Sabre Communications Corporation ("Sabre") and must not be reproduced, copied or used, in whole or in part, for any purpose without the prior written consent of Sabre.

© 2016 Sabre Communications Corporation. All rights reserved.

12' HD PLATFORM WITH COLLARS  
& ENHANCED SUPPORT RAIL,  
1.9"Ø - 2 3/8"Ø CROSSOVER  
2 3/8"Ø - 3" SQUARE CROSSOVER  
FITS 10"Ø TO 40"Ø MONOPOLES

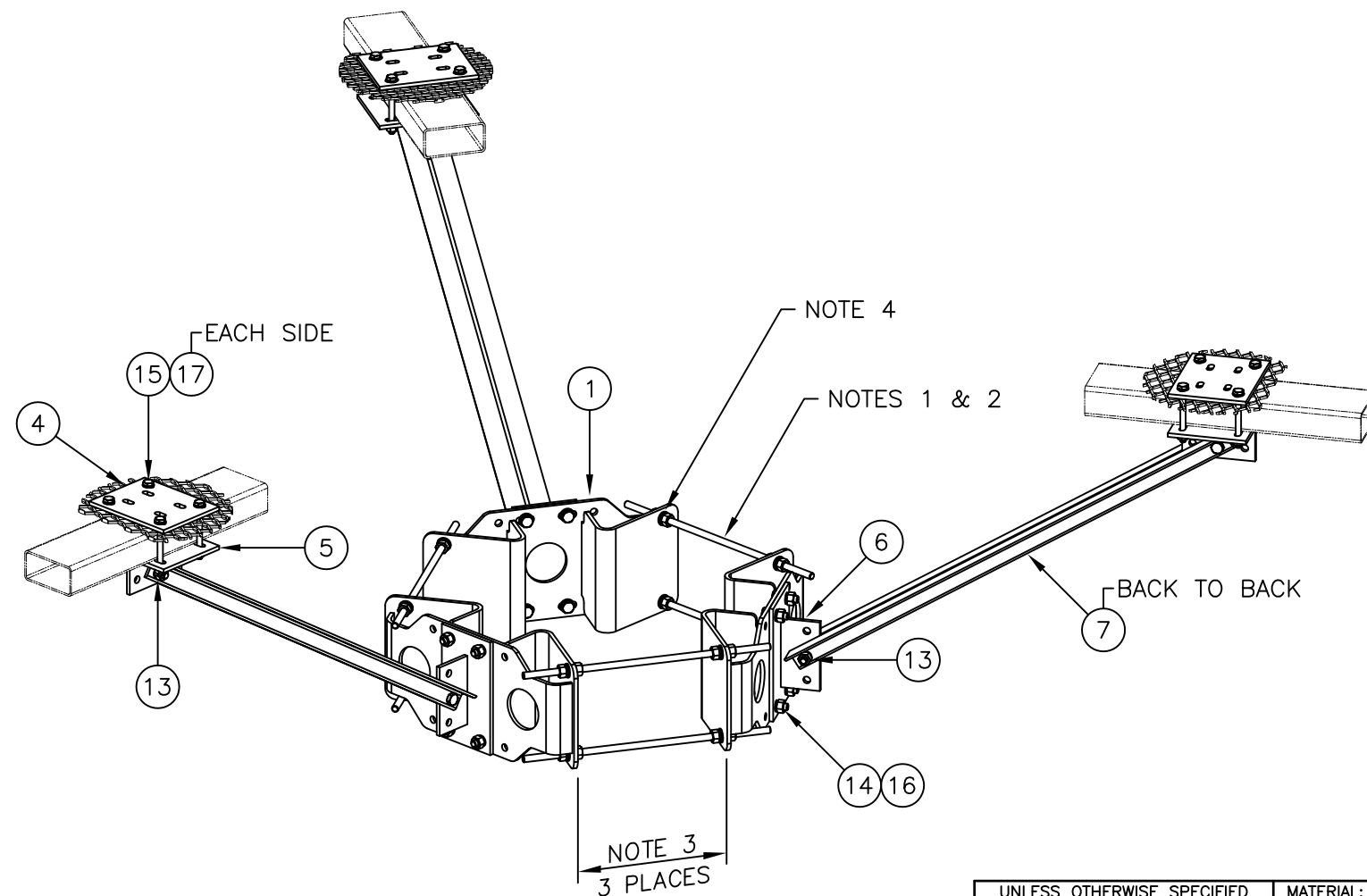
REV	DATE	DRW	CHK	DESCRIPTION
1	04/18/16	WRF	KLE	DESIGN UPDATE

DATE	02/16/16	SIZE	B	DRAWING NO.	C10855666C	REV	1
DRAWN BY	WRF	SCALE	None	PAGE	2 OF 3		
CHECKED BY	KLE						

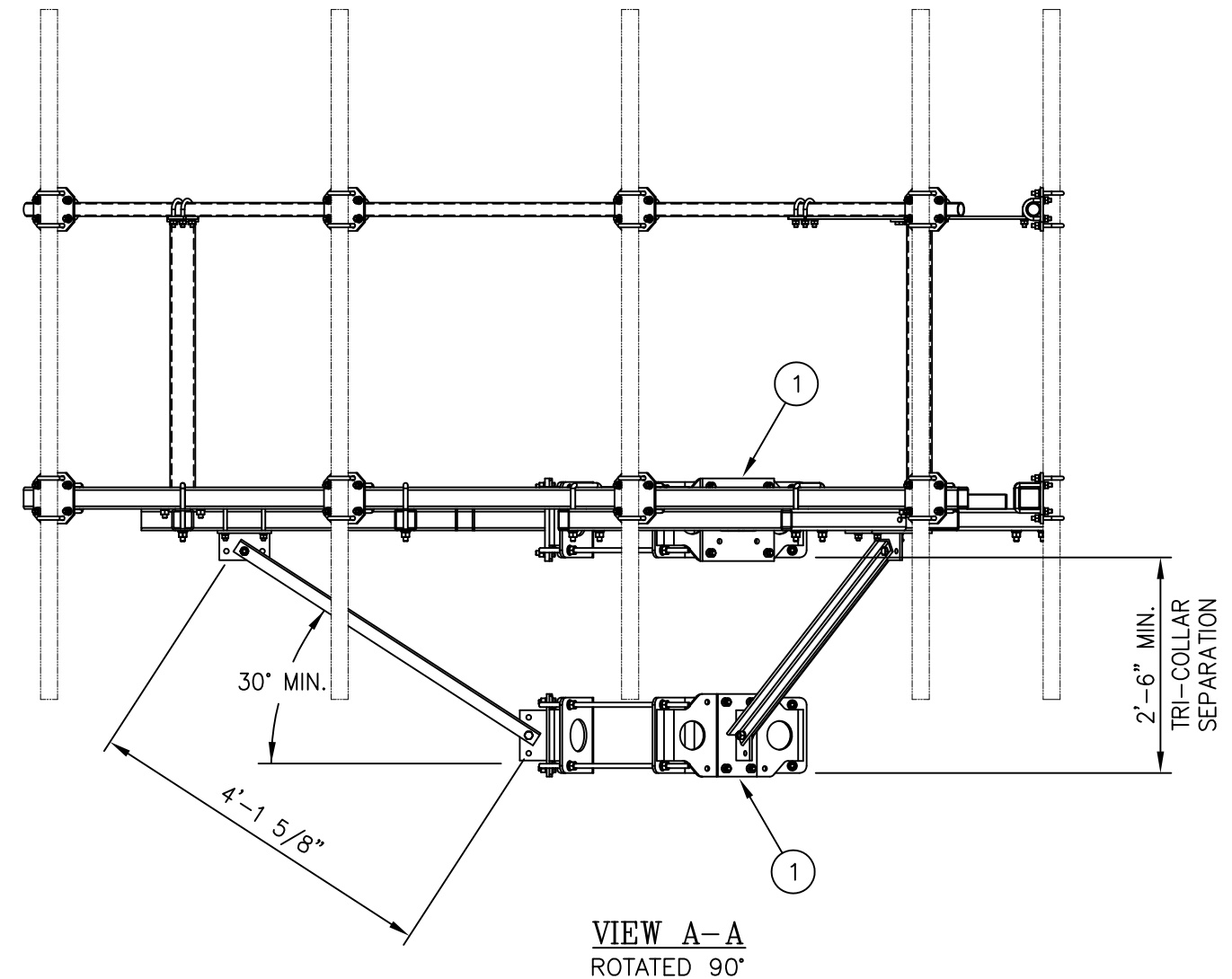


**TRI-COLLAR NOTES:**

1. THERE ARE (2) LENGTHS OF THREADED ROD SUPPLIED TO ACCOMMODATE DIAMETERS LISTED BELOW.  
USE 5/8 X 1'-6" THREADED ROD ASSEMBLY FOR 10"-24" MONOPOLE DIAMETERS.  
USE 5/8 X 2'-9" THREADED ROD ASSEMBLY FOR 24"-40" MONOPOLE DIAMETERS (SEE NOTE 2).
2. THREADED ROD MAY BE SHORTENED IF REQUIRED, FIELD CUT AND COLD GALV SPRAY TO SUIT.
3. THIS DISTANCE MUST BE EQUAL IN ALL (3) THREE LOCATIONS TO ENSURE THE STRUCTURAL INTEGRITY OF THE THREADED RODS AS WELL AS 120° SEPARATION.
4. FOR MONOPOLES 13" DIA. OR SMALLER, ONLY (1) ONE NUT AND (1) ONE LOCKWASHER ARE REQUIRED BETWEEN THE TRI-COLLAR BRACKETS.  
FOR MONOPOLES LARGER THAN 13" DIA., (2) TWO NUTS AND (2) TWO LOCKWASHERS ARE REQUIRED BETWEEN THE TRI-COLLAR BRACKETS.



**TRI-COLLAR & PLATFORM REINFORCEMENT DETAIL**



**VIEW A-A  
ROTATED 90°**

UNLESS OTHERWISE SPECIFIED ALL DIMENSIONS INCLUDE FINISHES AND ARE IN INCHES  TOLERANCES: FRACTIONS ± 1/16" ANGLES ± 1/2 DEG. DECIMALS ± .010"	MATERIAL:  TOLERANCES DO NOT APPLY TO RAW MATERIAL		<b>12' HD PLATFORM WITH COLLARS &amp; ENHANCED SUPPORT RAIL, 1.9"Ø - 2 3/8"Ø CROSSOVER 2 3/8"Ø - 3" SQUARE CROSSOVER FITS 10"Ø TO 40"Ø MONOPOLES</b>
		<b>CONFIDENTIAL</b>	
		This document and the information contained herein is the confidential trade secret property of Sabre Communications Corporation ("Sabre") and must not be reproduced, copied or used, in whole or in part, for any purpose without the prior written consent of Sabre. © 2016 Sabre Communications Corporation. All rights reserved.	
1 04/18/16 WRF KLE DESIGN UPDATE	REV DATE DRW/CHK DESCRIPTION	DATE 02/16/16 DRAWN BY WRF CHECKED BY KLE	SIZE B DRAWING NO. C10855666C SCALE None PAGE 3 OF 3 REV 1