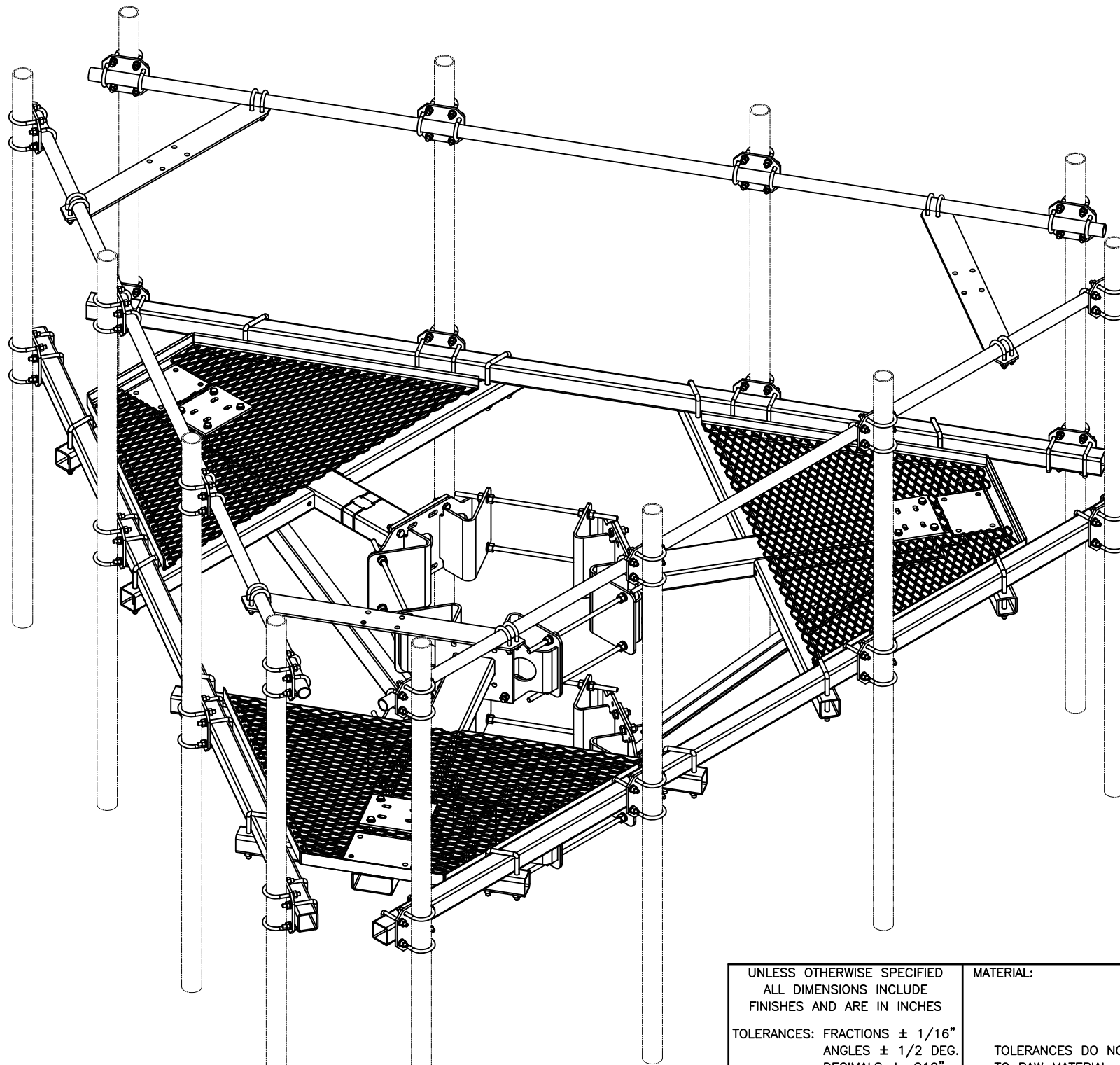




C1085557C 12' HD PLATFORM W/COLLARS, CROSSOVERS & SUPPORT RAIL

ITEM	QTY.	PART NO.	DESCRIPTION	WEIGHT
1.	2	C10112377	TRI-COLLAR BRACKET ASSEMBLY (10"-40" MONOPOLE)	416
2.	3	CW01320	WELDMENT, PLATFORM CORNER	612
3.	3	CS03348	SQUARE TUBE, 3 X 3 X 3/16 X 12'-6	268
4.	3	CS03354	PLATE, UPPER CONNECTION	22
5.	3	CW01322	WELDMENT, KICKER SUPPORT	31
6.	3	CW01291	WELDMENT, KICKER SUPPORT	32
7.	6	CS03372	ANGLE, KICKER	82
8.	3	CS03349	PLATE, CONNECTION 3/8 X 4 3/8 X 3'-6 1/16	56
9.	3	CS02229	PIPE, 1.9 O.D. X .145 X 12'-6	106
10.	12	CS03351	CROSSOVER PLATE	58
11.	12	CS03336	CROSSOVER PLATE	48
12.	18	C40026024	BOLT ASSEMBLY, 5/8 Ø X 2 1/4 A325	9
13.	12	C40026023	BOLT ASSEMBLY, 5/8 Ø X 2 A325	6
14.	12	C40024106	BOLT ASSEMBLY, 1/2 Ø X 6 1/2 GR5 FULL THD	5
15.	12	C40031003	FLATWASHER, 5/8 Ø HARDENED ASTM F436	1
16.	24	C40031002	FLATWASHER, 1/2 Ø HARDENED ASTM F436	1
17.	12	C40035017	SQ. U-BOLT ASSEMBLY, 5/8 Ø X 4 1/4 C-C	25
18.	36	C40034060	U-BOLT ASSEMBLY, 1/2 Ø X 2 9/16 C-C	26
19.	24	C40035106	SQ. U-BOLT ASSEMBLY, 1/2 Ø X 3 5/8 C-C	23
20.	48	C40034140	U-BOLT ASSEMBLY, 1/2 Ø X 3 7/16 C-C	43
21.	1	Z30992015	MOUNT CLASSIFICATION TAG C10855555C	1
22.	2	C40062104	STAINLESS STEEL SELF-LOCKING CABLE TIE	1
TOTAL WEIGHT				1872



2 7/8"Ø MOUNTING PIPES
MUST BE PURCHASED SEPARATELY

ISOMETRIC VIEW
SEE PAGES 2 & 3 FOR ADDITIONAL DETAILS

UNLESS OTHERWISE SPECIFIED
ALL DIMENSIONS INCLUDE
FINISHES AND ARE IN INCHES
TOLERANCES: FRACTIONS ± 1/16"
ANGLES ± 1/2 DEG.
DECIMALS ± .010"

MATERIAL:
TOLERANCES DO NOT APPLY
TO RAW MATERIAL

Sabre Industries™
Towers and Poles

CONFIDENTIAL

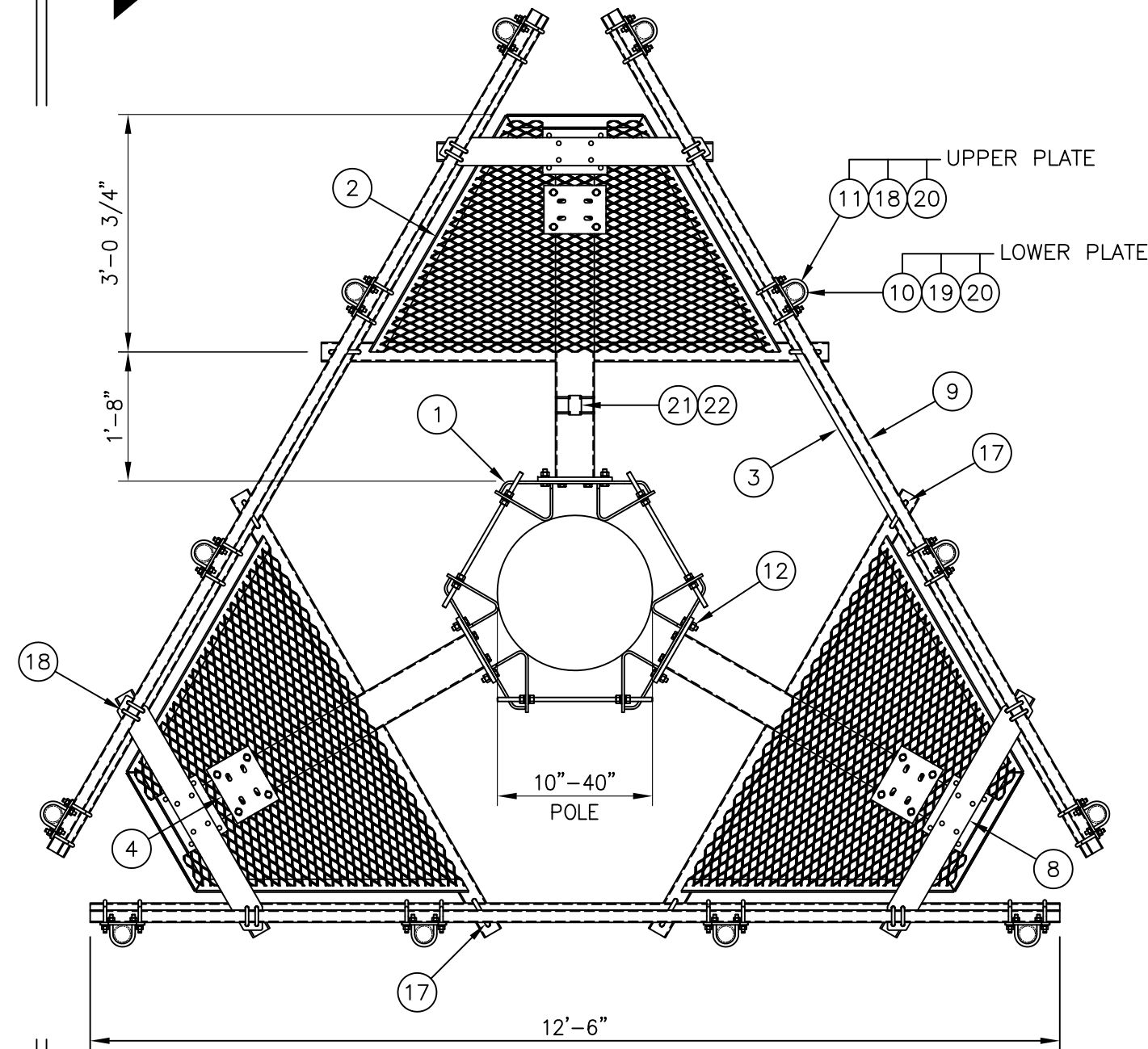
This document and the information contained herein is the confidential trade secret property of Sabre Communications Corporation ("Sabre") and must not be reproduced, copied or used, in whole or in part, for any purpose without the prior written consent of Sabre.
© 2016 Sabre Communications Corporation. All rights reserved.

12' HD PLATFORM WITH COLLARS & SUPPORT RAIL 1.9"Ø - 2 7/8"Ø CROSSOVERS 2 7/8"Ø - 3" SQUARE CROSSOVERS FITS 10"Ø TO 40"Ø MONOPOLES			
DATE	02/16/16	SIZE	B
DRAWN BY	WRF	DRAWING NO.	C1085557C
CHECKED BY	KLE	SCALE	None
		REV	1
		PAGE	1 OF 3

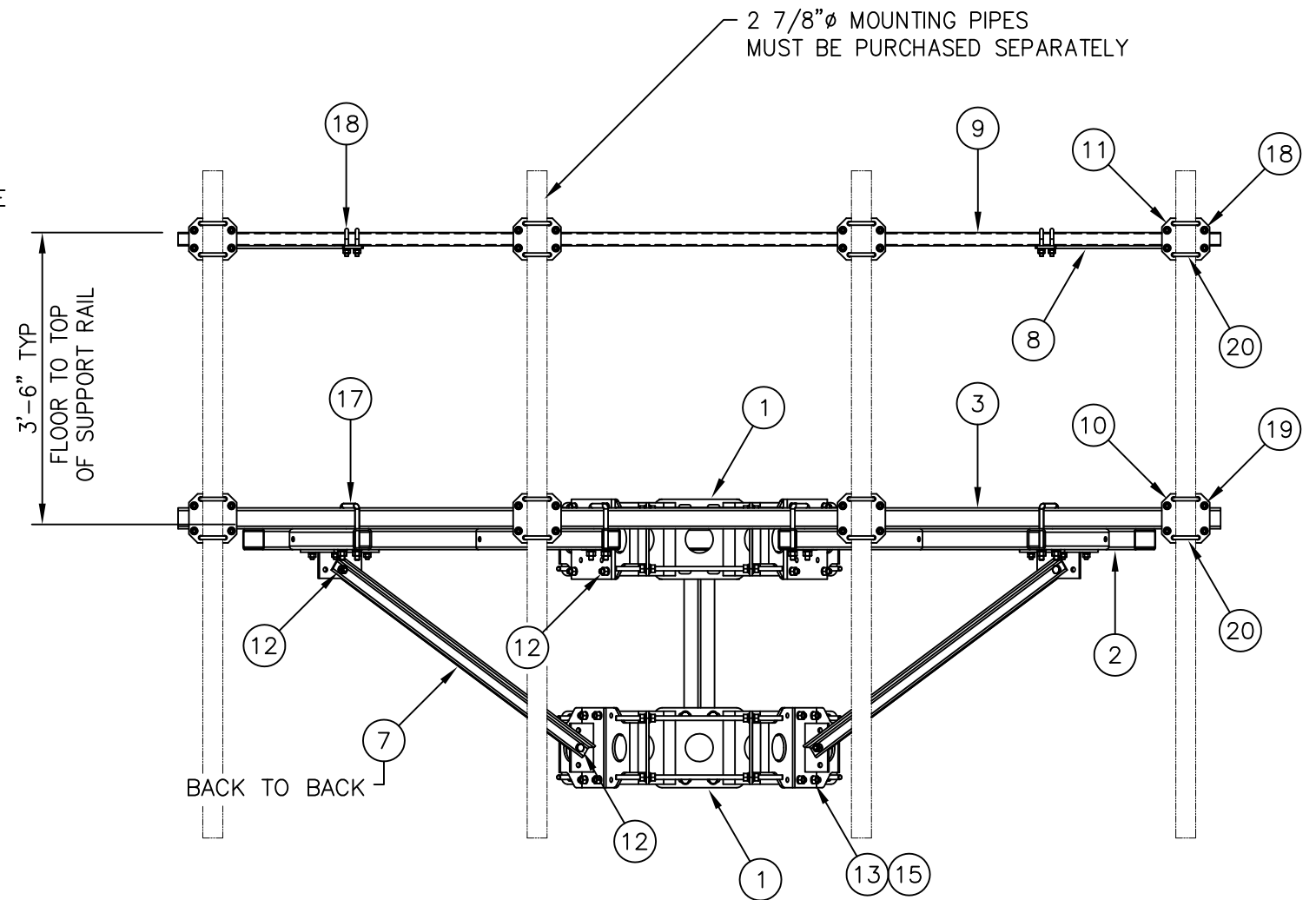
REV	DATE	DRW	CHK	DESCRIPTION
1	04/18/16	WRF	KLE	DESIGN UPDATE



A



PLAN VIEW



FRONT VIEW

A
PAGE 3

UNLESS OTHERWISE SPECIFIED
ALL DIMENSIONS INCLUDE
FINISHES AND ARE IN INCHES
TOLERANCES: FRACTIONS $\pm 1/16$ "
ANGLES $\pm 1/2$ DEG.
DECIMALS $\pm .010$ "

MATERIAL:
TOLERANCES DO NOT APPLY
TO RAW MATERIAL



CONFIDENTIAL
This document and the information
contained herein is the confidential trade
secret property of Sabre Communications
Corporation ("Sabre") and must not be
reproduced, copied or used, in whole or in
part, for any purpose without the prior
written consent of Sabre.
© 2016 Sabre Communications Corporation.
All rights reserved.

12' HD PLATFORM WITH COLLARS
& SUPPORT RAIL
1.9" ϕ - 2 7/8" ϕ CROSSOVERS
2 7/8" ϕ - 3" SQUARE CROSSOVERS
FITS 10" ϕ TO 40" ϕ MONOPOLES

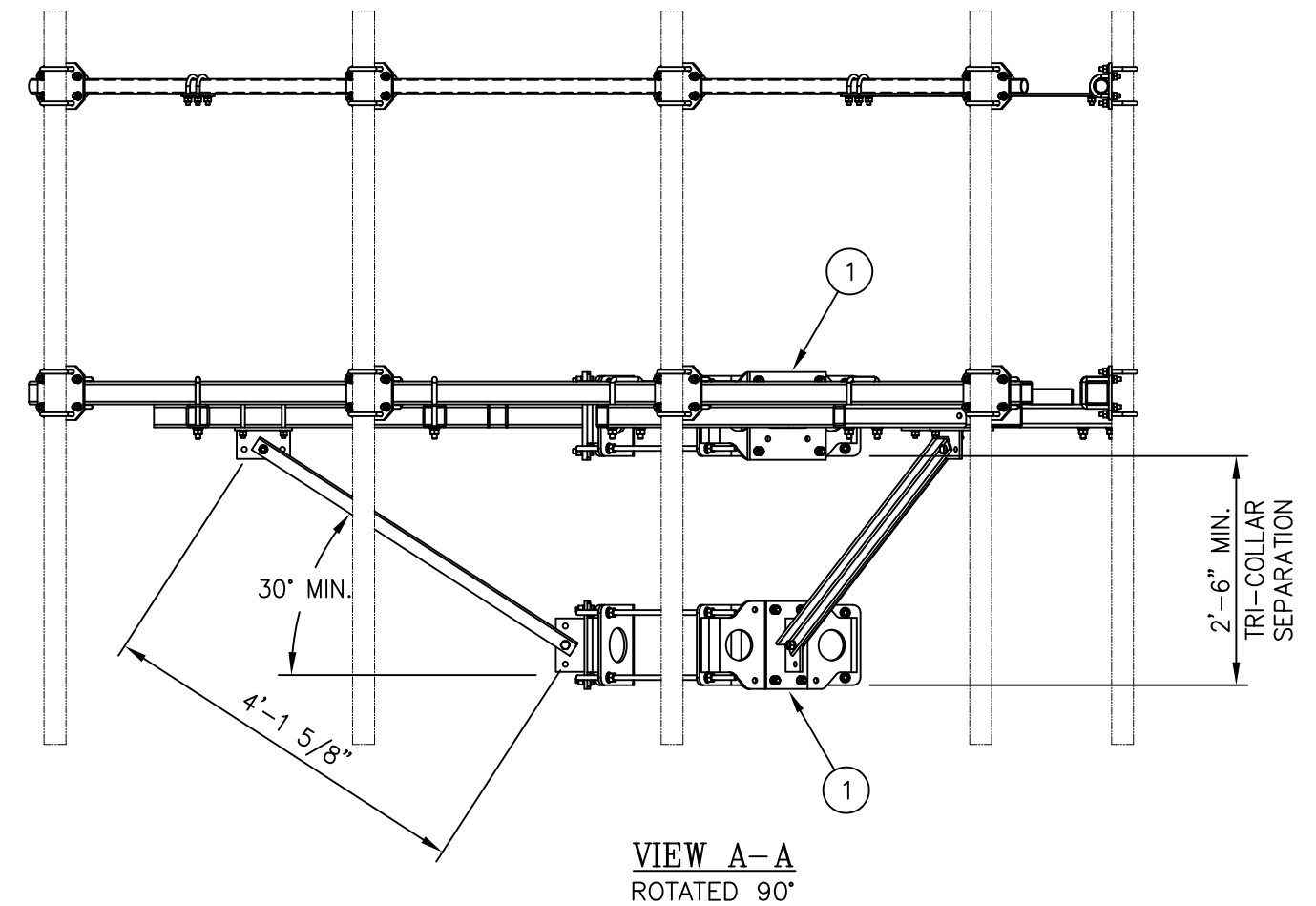
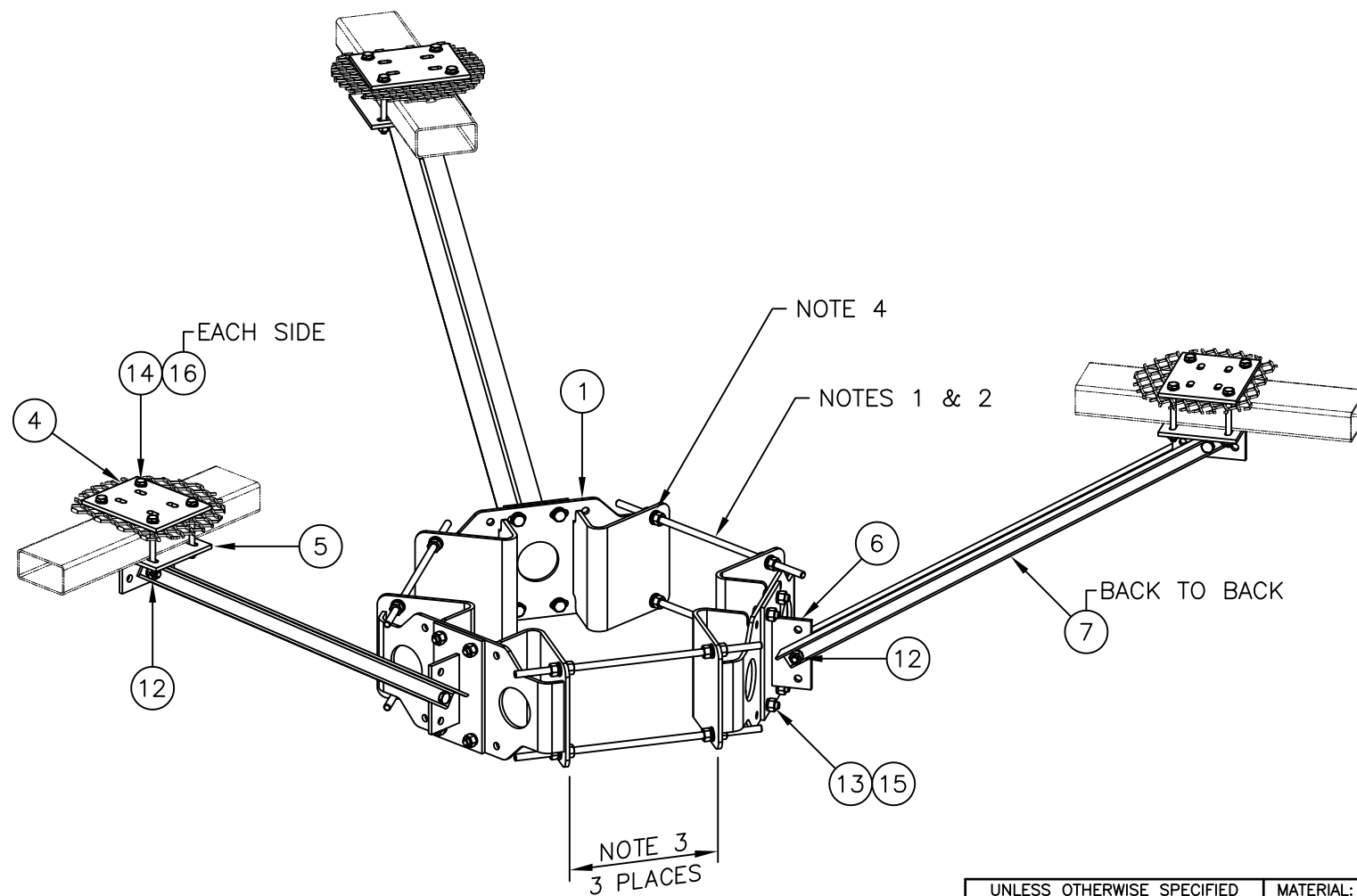
REV	DATE	DRW	CHK	DESCRIPTION
1	04/18/16	WRF	KLE	DESIGN UPDATE

DATE	02/16/16	SIZE	B	DRAWING NO.	C10855557C	REV	1
DRAWN BY	WRF	SCALE	None	PAGE	2 OF 3		
CHECKED BY	KLE						



TRI-COLLAR NOTES:

- 1. THERE ARE (2) LENGTHS OF THREADED ROD SUPPLIED TO ACCOMMODATE DIAMETERS LISTED BELOW
USE 5/8 X 1'-6" THREADED ROD ASSEMBLY FOR 10"-24" MONOPOLE DIAMETERS
USE 5/8 X 2'-9" THREADED ROD ASSEMBLY FOR 24"-40" MONOPOLE DIAMETERS (SEE NOTE 2)
- 2. THREADED ROD MAY BE SHORTENED IF REQUIRED, FIELD CUT AND COLD GALV SPRAY TO SUIT.
- 3. THIS DISTANCE MUST BE EQUAL IN ALL (3) THREE LOCATIONS TO ENSURE THE STRUCTURAL INTEGRITY OF THE THREADED RODS AS WELL AS 120° SEPARATION.
- 4. FOR MONOPOLES 13" DIA. OR SMALLER, ONLY (1) ONE NUT AND (1) ONE LOCKWASHER ARE REQUIRED BETWEEN THE TRI-COLLAR BRACKETS.
FOR MONOPOLES LARGER THAN 13" DIA., (2) TWO NUTS AND (2) TWO LOCKWASHERS ARE REQUIRED BETWEEN THE TRI-COLLAR BRACKETS.



TRI-COLLAR & PLATFORM REINFORCEMENT DETAIL

UNLESS OTHERWISE SPECIFIED ALL DIMENSIONS INCLUDE FINISHES AND ARE IN INCHES		MATERIAL:
TOLERANCES: FRACTIONS ± 1/16" ANGLES ± 1/2 DEG. DECIMALS ± .010"		TOLERANCES DO NOT APPLY TO RAW MATERIAL
1	04/18/16	WRF/KLE DESIGN UPDATE
REV	DATE	DRW/CHK DESCRIPTION

Sabre Industries™
Towers and Poles

CONFIDENTIAL
This document and the information contained herein is the confidential trade secret property of Sabre Communications Corporation ("Sabre") and must not be reproduced, copied or used, in whole or in part, for any purpose without the prior written consent of Sabre.
© 2016 Sabre Communications Corporation. All rights reserved.

12' HD PLATFORM WITH COLLARS & SUPPORT RAIL 1.9"φ - 2 7/8"φ CROSSOVERS 2 7/8"φ - 3" SQUARE CROSSOVERS FITS 10"φ TO 40"φ MONOPOLES			
DATE	02/16/16	SIZE	B
DRAWN BY	WRF	DRAWING NO.	C1085557C
CHECKED BY	KLE	SCALE	None
		PAGE	3 OF 3
		REV	1