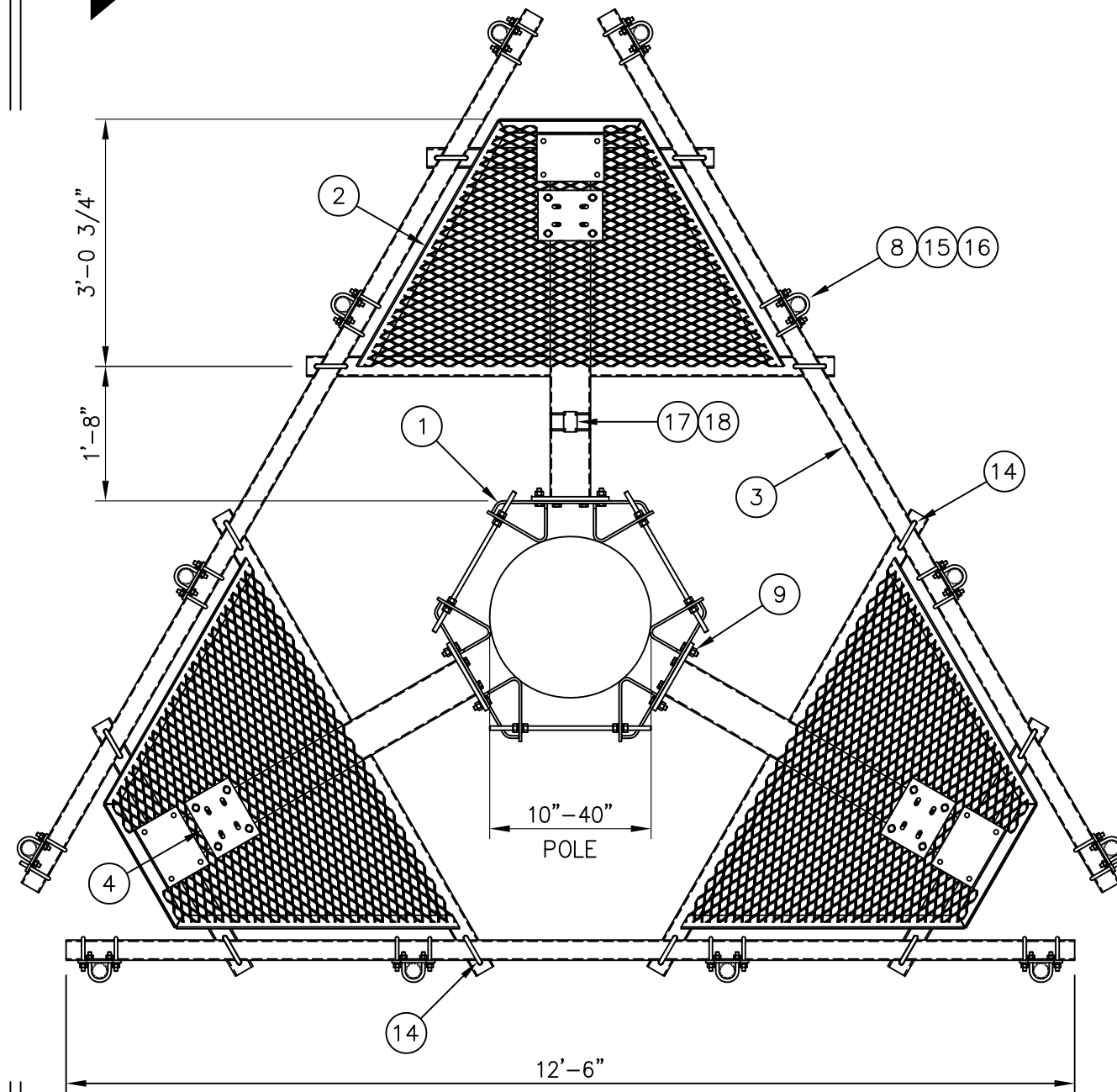


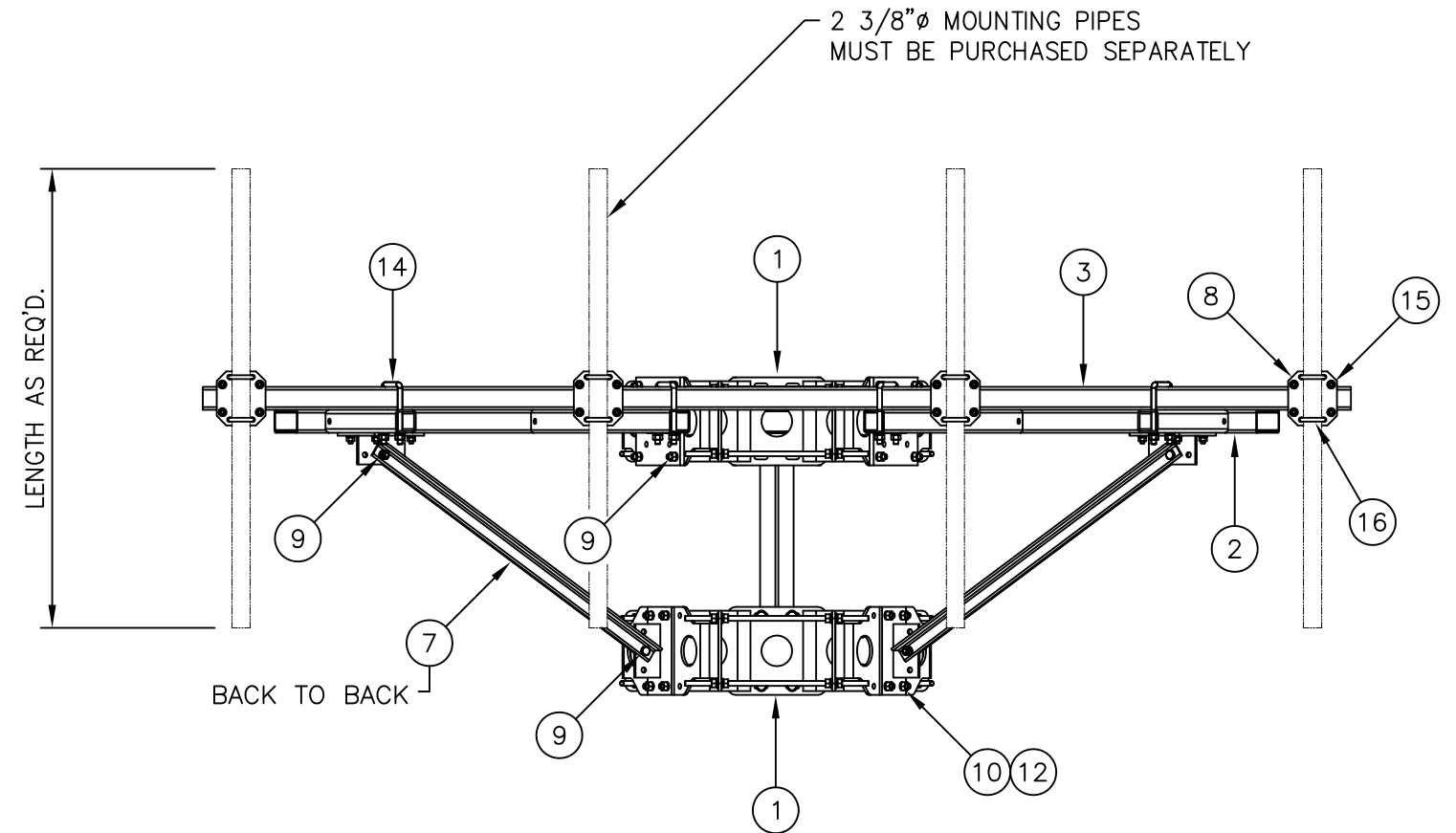




A



PLAN VIEW



FRONT VIEW

A   
PAGE 3

UNLESS OTHERWISE SPECIFIED  
ALL DIMENSIONS INCLUDE  
FINISHES AND ARE IN INCHES  
TOLERANCES: FRACTIONS  $\pm 1/16"$   
ANGLES  $\pm 1/2$  DEG.  
DECIMALS  $\pm .010"$

MATERIAL:  
TOLERANCES DO NOT APPLY  
TO RAW MATERIAL



**CONFIDENTIAL**  
This document and the information  
contained herein is the confidential trade  
secret property of Sabre Communications  
Corporation ("Sabre") and must not be  
reproduced, copied or used, in whole or in  
part, for any purpose without the prior  
written consent of Sabre.  
© 2016 Sabre Communications Corporation.  
All rights reserved.

12' HD PLATFORM WITH COLLAR &  
2 3/8"  $\phi$  - 3" SQUARE CROSSOVERS  
FITS 10"  $\phi$  TO 40"  $\phi$  MONOPOLES

REV	DATE	DRW	CHK	DESCRIPTION
1	04/18/16	WRF	KLE	DESIGN UPDATE

DATE	02/16/16	SIZE	B	DRAWING NO.	C10855446C	REV	1
DRAWN BY	WRF	SCALE	None	PAGE	2 OF 3		
CHECKED BY	KLE						

