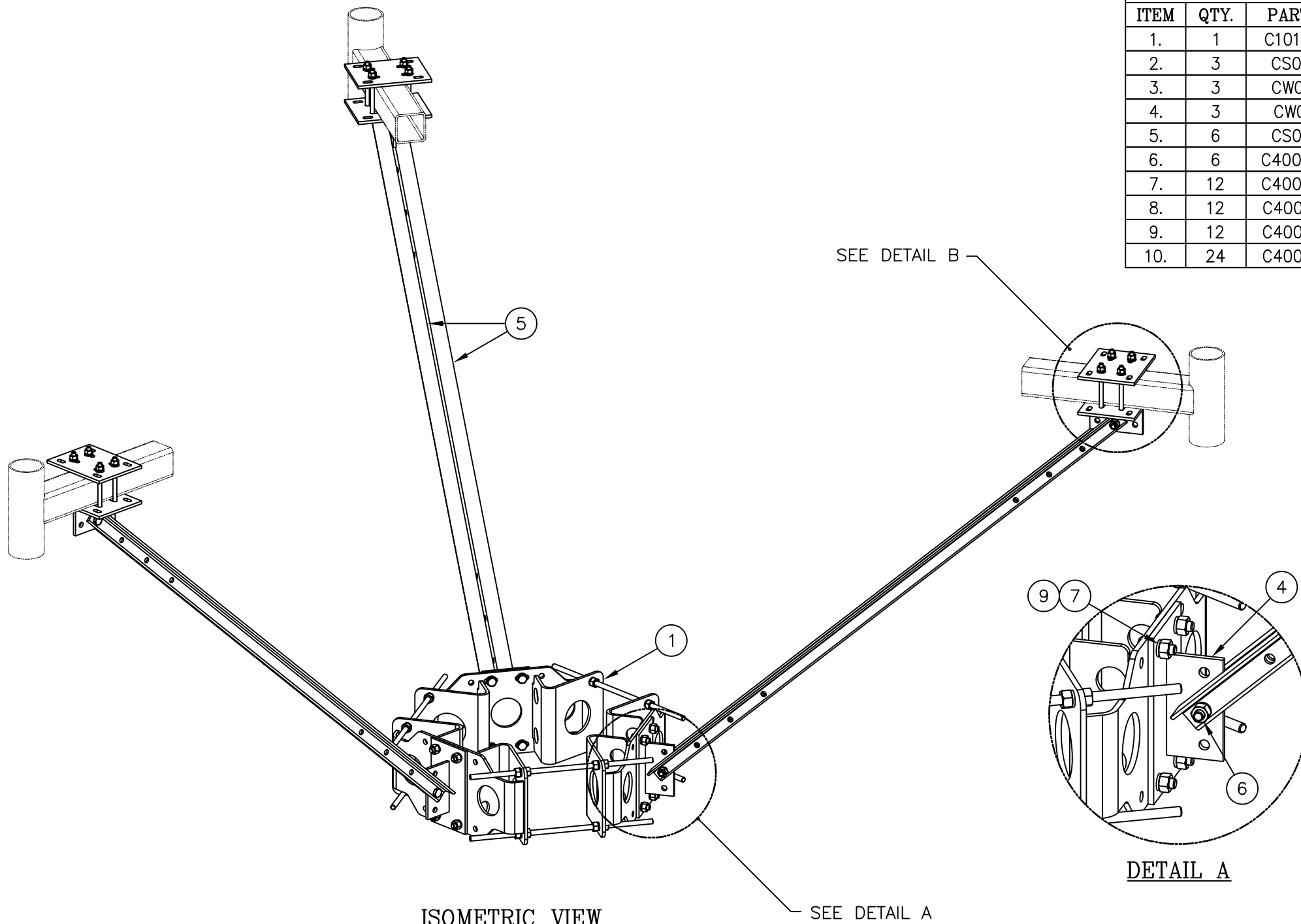


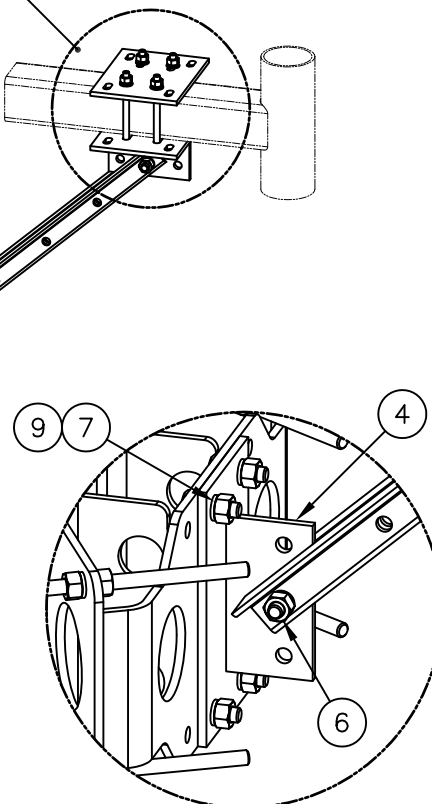
C10851202 PLATFORM REINFORCEMENT KIT

ITEM	QTY.	PART NO.	DESCRIPTION	WEIGHT
1.	1	C10112300	TRI COLLAR BRACKET ASSEMBLY	193
2.	3	CS03354	PLATE, UPPER CONNECTION	22
3.	3	CW01322	WELDMENT, KICKER SUPPORT	31
4.	3	CW01291	WELDMENT, KICKER SUPPORT	32
5.	6	CS03278	ANGLE, KICKER	139
6.	6	C40026024	BOLT ASSEMBLY, 5/8 ϕ X 2 1/4 A325	3
7.	12	C40026023	BOLT ASSEMBLY, 5/8 ϕ X 2 A325	6
8.	12	C40024106	BOLT ASSEMBLY, 1/2 ϕ X 6 1/2 GR5 FULL THD	5
9.	12	C40031003	FLATWASHER, 5/8 ϕ HARDENED ASTM F436	1
10.	24	C40031002	FLATWASHER, 1/2 ϕ HARDENED ASTM F436	1

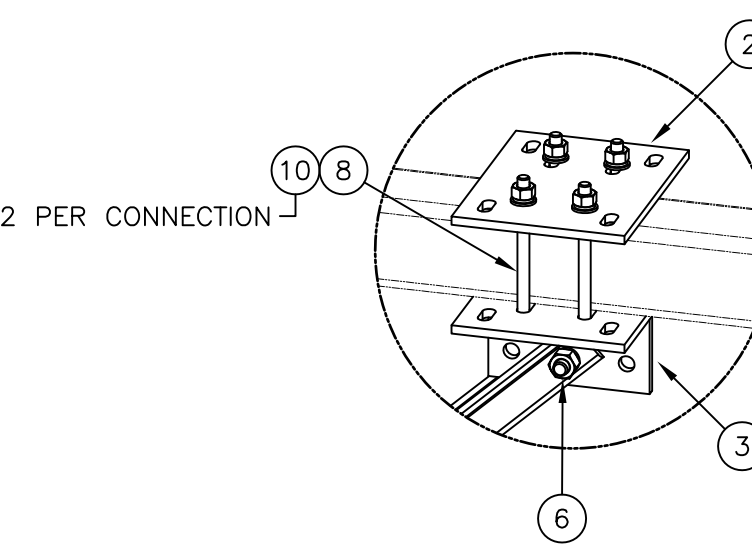
TOTAL WEIGHT 433



ISOMETRIC VIEW



DETAIL A



DETAIL B

UNLESS OTHERWISE SPECIFIED
ALL DIMENSIONS INCLUDE
FINISHES AND ARE IN INCHES

TOLERANCES: FRACTIONS $\pm 1/16"$
ANGLES $\pm 1/2$ DEG.
DECIMALS $\pm .010"$

MATERIAL:

TOLERANCES DO NOT APPLY
TO RAW MATERIAL



PLATFORM REINFORCEMENT KIT (LONG)
FOR 10" TO 40" DIA. POLES

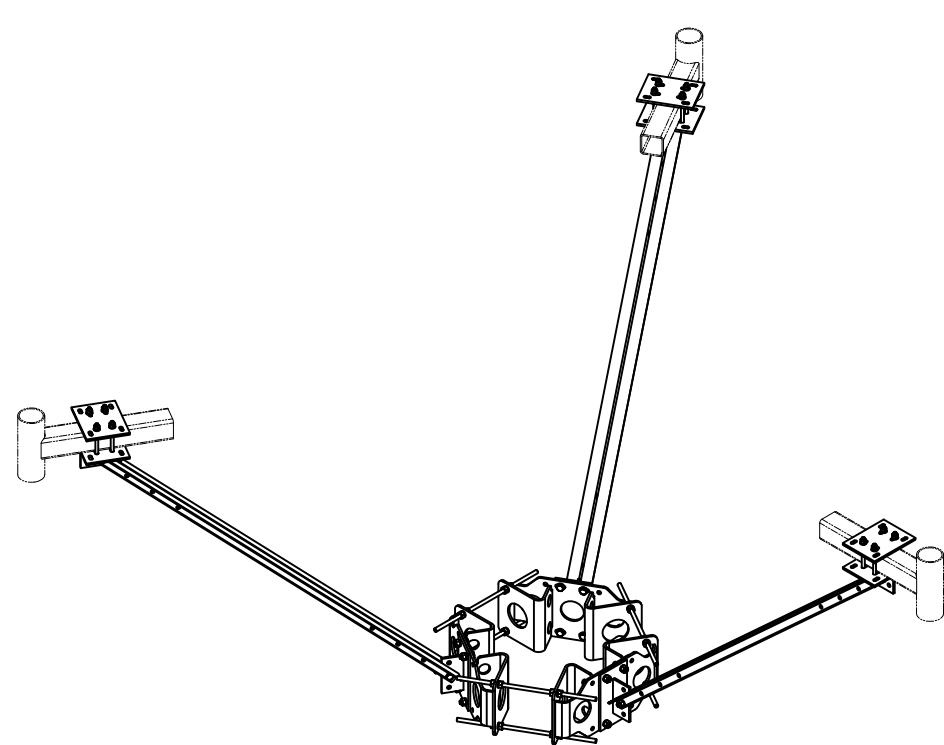
REV	DATE	DRW	CHK	DESCRIPTION
1	02/18/16	WRF	KLE	CHANGED ITEMS 2 AND 3

CONFIDENTIAL

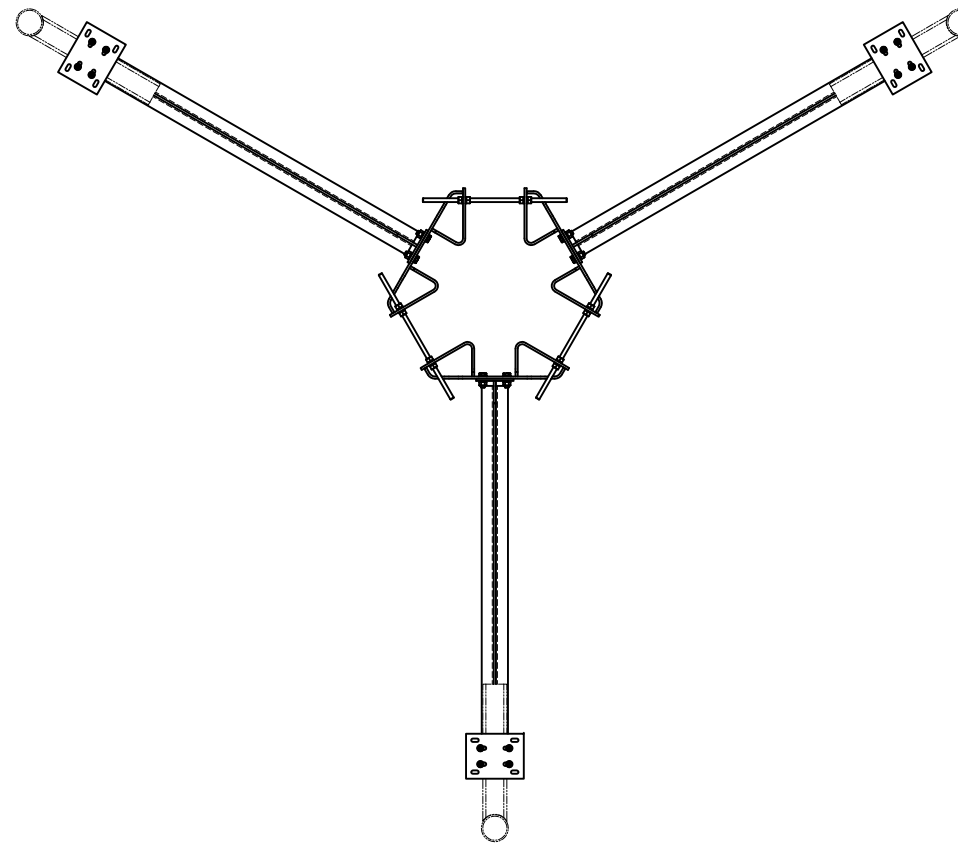
This document and the information contained herein is the confidential trade secret property of Sabre Communications Corporation ("Sabre") and must not be reproduced, copied or used, in whole or in part, for any purpose without the prior written consent of Sabre.

© 2015 Sabre Communications Corporation. All rights reserved.

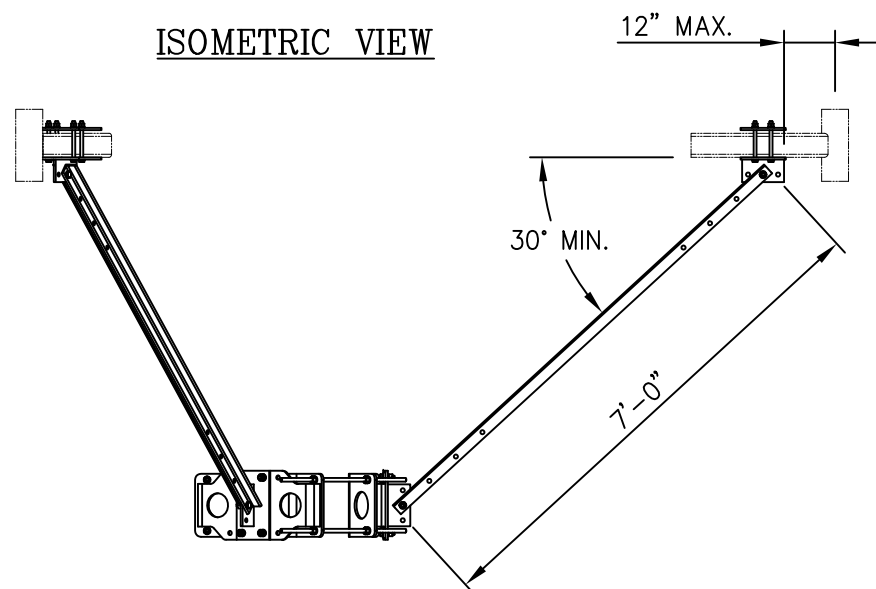
DATE	07/23/15	SIZE	B	DRAWING NO.	C10851202	REV	1
DRAWN BY	WRF	CHECKED BY	KLE	SCALE	None	PAGE	1 OF 2



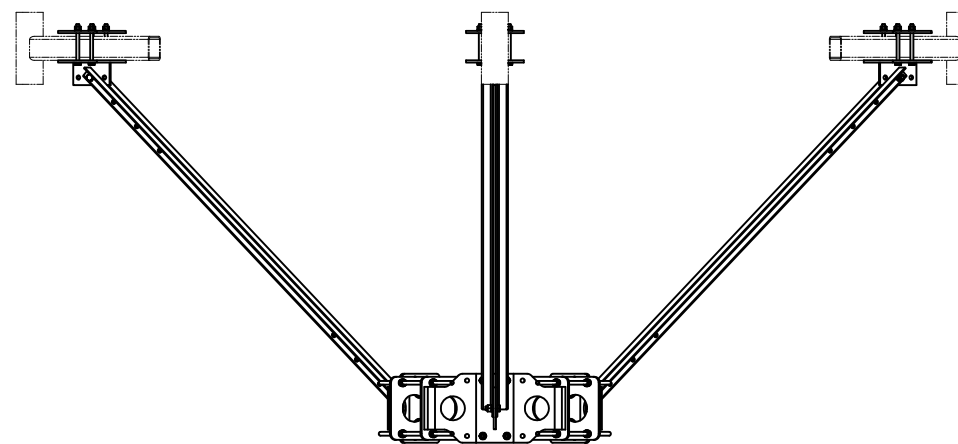
ISOMETRIC VIEW



TOP VIEW



SIDE VIEW



FRONT VIEW

UNLESS OTHERWISE SPECIFIED
ALL DIMENSIONS INCLUDE
FINISHES AND ARE IN INCHES
TOLERANCES: FRACTIONS $\pm 1/16"$
ANGLES $\pm 1/2$ DEG.
DECIMALS $\pm .010"$

MATERIAL:
TOLERANCES DO NOT APPLY
TO RAW MATERIAL



PLATFORM REINFORCEMENT KIT (LONG)
FOR 10" TO 40" DIA. POLES

REV	DATE	DRW	CHK	DESCRIPTION
1	02/18/16	WRF	KLE	CHANGED ITEMS 2 AND 3

CONFIDENTIAL
This document and the information contained herein is the confidential trade secret property of Sabre Communications Corporation ("Sabre") and must not be reproduced, copied or used, in whole or in part, for any purpose without the prior written consent of Sabre.
© 2015 Sabre Communications Corporation. All rights reserved.

DATE	07/23/15	SIZE	B	DRAWING NO.	C10851202	REV	1
DRAWN BY	WRF	SCALE	None	PAGE	2 OF 2		
CHECKED BY	KLE						