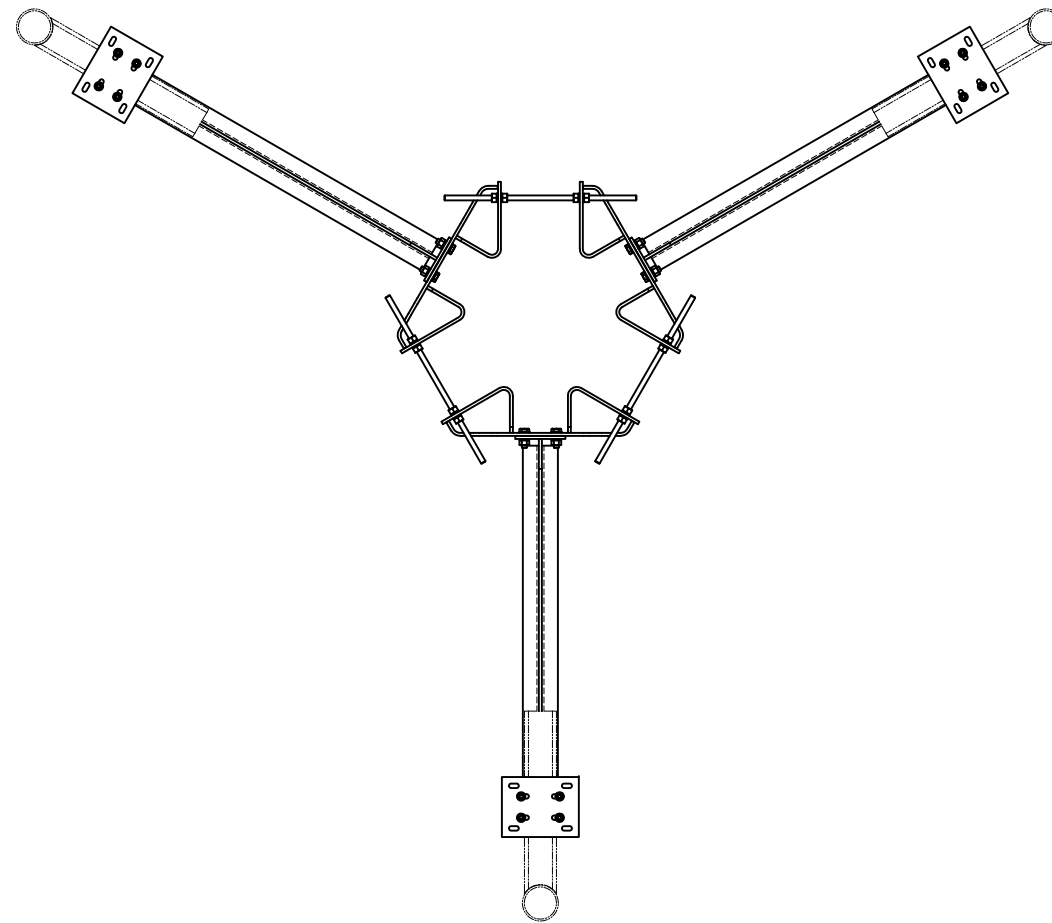
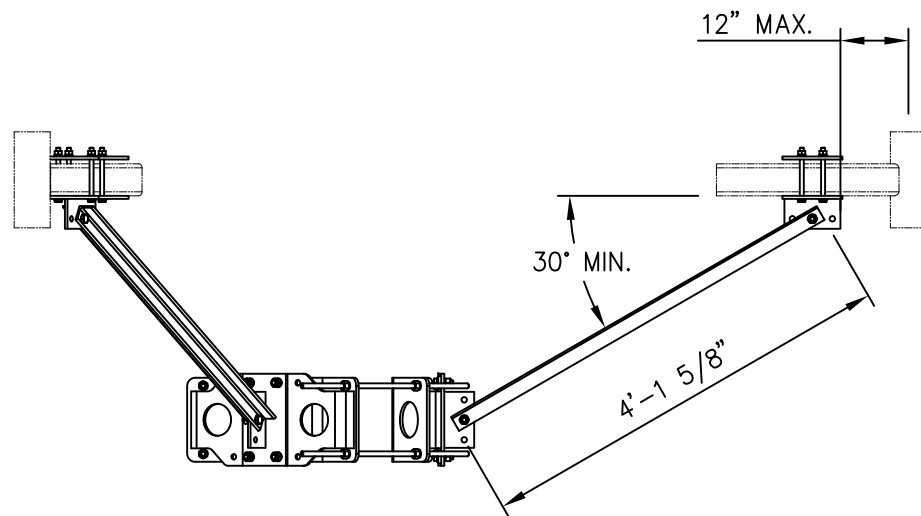


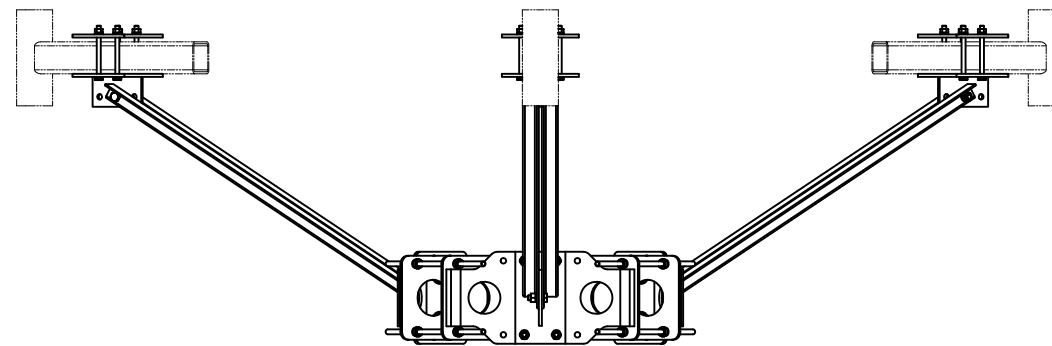
ISOMETRIC VIEW



TOP VIEW



SIDE VIEW



FRONT VIEW

UNLESS OTHERWISE SPECIFIED  
ALL DIMENSIONS INCLUDE  
FINISHES AND ARE IN INCHES  
TOLERANCES: FRACTIONS  $\pm 1/16"$   
ANGLES  $\pm 1/2$  DEG.  
DECIMALS  $\pm .010"$

MATERIAL:  
TOLERANCES DO NOT APPLY  
TO RAW MATERIAL



PLATFORM REINFORCEMENT KIT  
FOR 10" TO 40" DIA. POLES

REV	DATE	DRW	CHK	DESCRIPTION
2	02/24/16	WRF	KLE	CHANGED ITEM 5
1	02/18/16	WRF	KLE	CHANGED ITEMS 2 AND 3

**CONFIDENTIAL**  
This document and the information contained herein is the confidential trade secret property of Sabre Communications Corporation ("Sabre") and must not be reproduced, copied or used, in whole or in part, for any purpose without the prior written consent of Sabre.  
© 2015 Sabre Communications Corporation. All rights reserved.

DATE	07/23/15	SIZE	B	DRAWING NO.	C10851201	REV	2
DRAWN BY	WRF	CHECKED BY	KLE	SCALE	None	PAGE	2 OF 2