

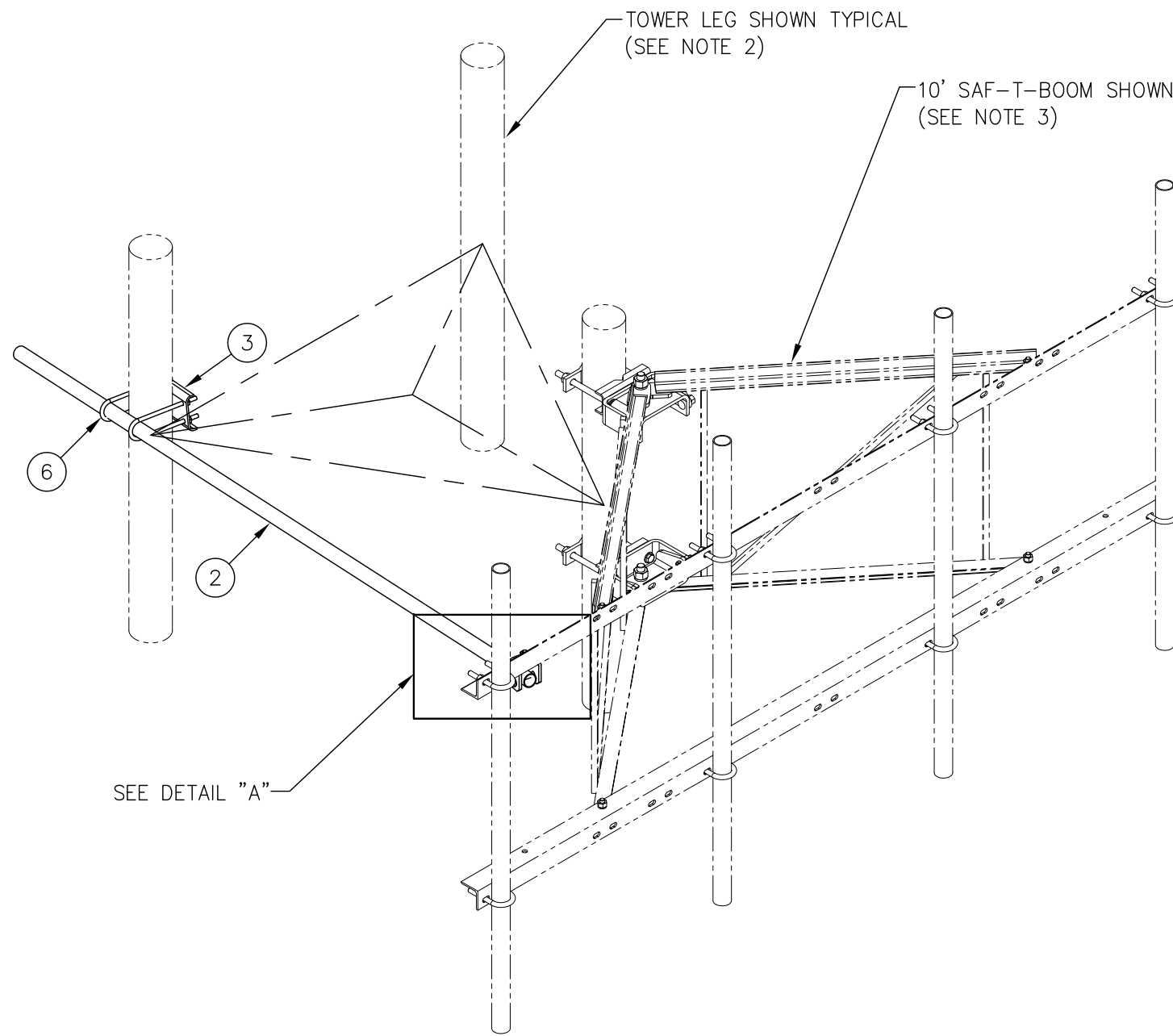


C10179201 TIEBACK FOR SAF-T-BOOM

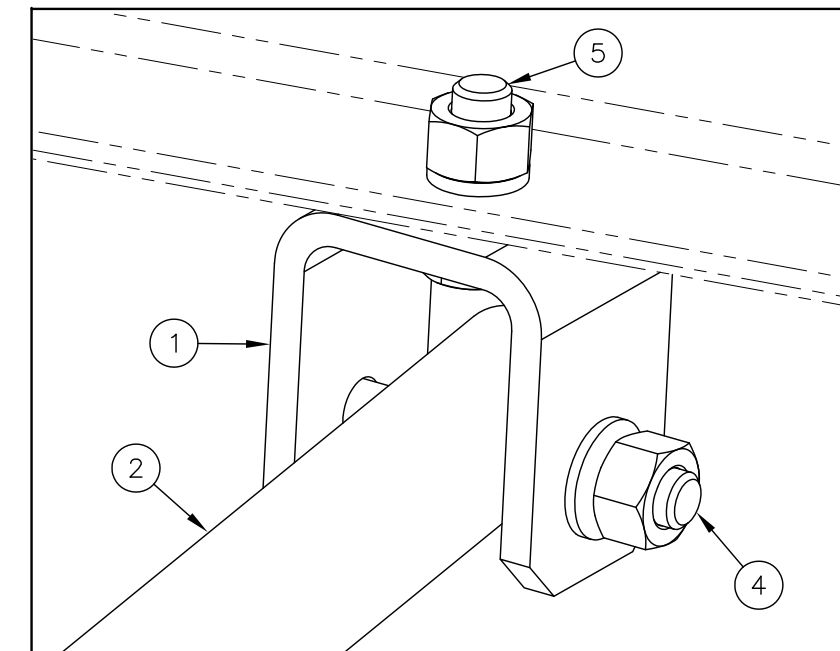
ITEM	QTY.	PART NO.	DESCRIPTION	WEIGHT
1.	1	CS00098	PLATE, BENT SWIVEL	3
2.	1	CS01910	PIPE, TIEBACK	23
3.	1	CS01909	PLATE, TIEBACK SUPPORT	4
4.	1	C40026033	BOLT ASSEMBLY, 5/8 ϕ X 4 1/2 A325	1
5.	1	C40026023	BOLT ASSEMBLY, 5/8 ϕ X 2 A325	1
6.	2	C40034081	U-BOLT ASSEMBLY, 1/2 ϕ X 2 9/16 C-C	3
TOTAL WEIGHT				35

NOTES:

- QUANTITIES SHOWN IN LISTS OF MATERIAL ARE FOR ONE (1) TIEBACK ONLY.
- THIS TIEBACK WILL MOUNT TO THE FOLLOWING:
 - 1 1/2" ϕ TO 5 9/16" ϕ ROUND LEG
- THIS TIEBACK WILL FIT THE FOLLOWING:
 - 10' & 12' SAF-T-BOOM W/3' STANDOFF
 - 10', 12', & 14' ROUND MEMBER T-BOOM W/3' STANDOFF
 - 10', 12', 14', & 16' ANGLE KNOCK DOWN T-BOOM W/3' STANDOFF



ISOMETRIC VIEW



DETAIL "A"

UNLESS OTHERWISE SPECIFIED
ALL DIMENSIONS INCLUDE
FINISHES AND ARE IN INCHES

TOLERANCES: FRACTIONS $\pm 1/16"$
ANGLES $\pm 1/2$ DEG.
DECIMALS $\pm .010"$

MATERIAL:

TOLERANCES DO NOT APPLY
TO RAW MATERIAL



TIEBACK FOR T-BOOMS
(FITS 3' STANDOFF)

REV	DATE	DRW/CHK	DESCRIPTION

CONFIDENTIAL

This document and the information contained herein is the confidential trade secret property of Sabre Communications Corporation ("Sabre") and must not be reproduced, copied or used, in whole or in part, for any purpose without the prior written consent of Sabre.

© 2009 Sabre Communications Corporation. All rights reserved.

DATE	5/26/09	SIZE	B	DRAWING NO.	C10179201	REV	0
DRAWN BY	MLC	SCALE	None	PAGE	1	OF	1
CHECKED BY	MC						