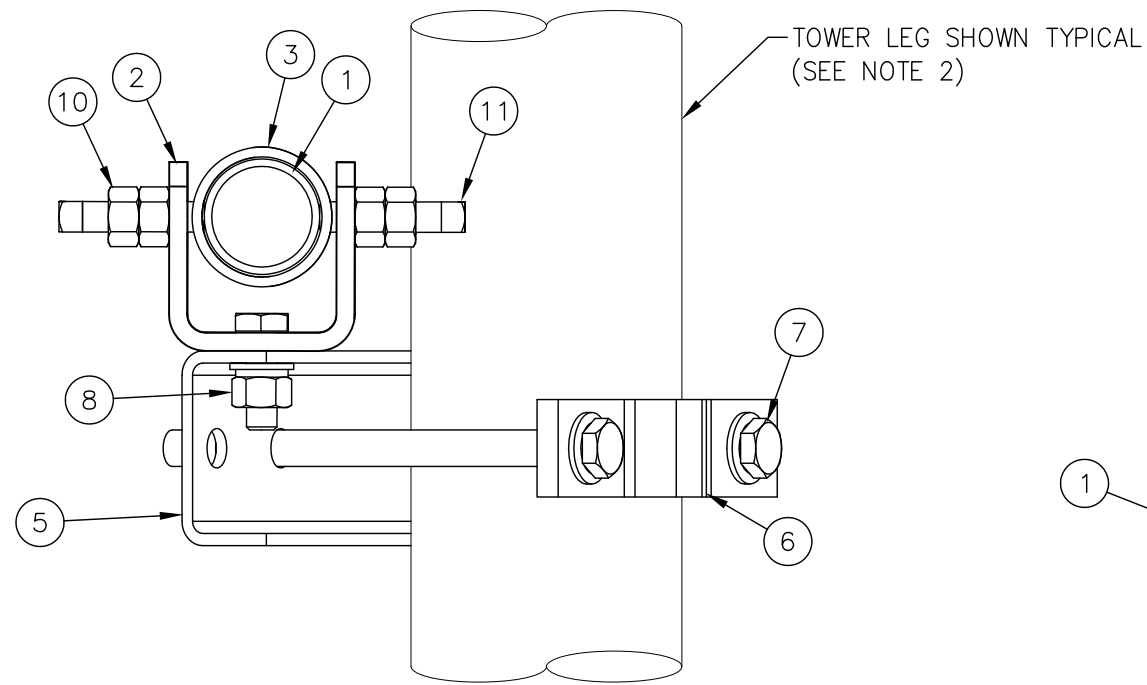
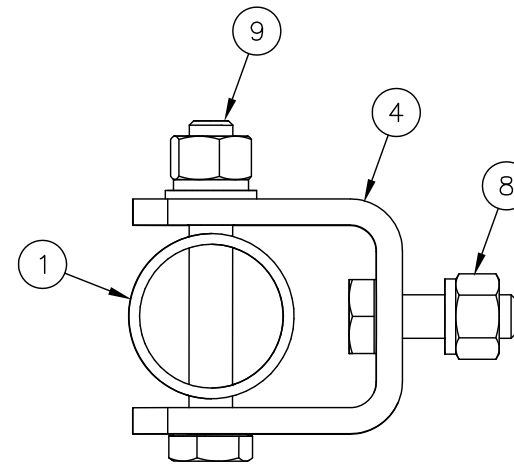


C10179011 SWIVEL KNUCKLE TIEBACK KIT

ITEM	QTY.	PART NO.	DESCRIPTION	WEIGHT
1.	1	CS00249	PIPE, 2 7/8" O.D. X 0.203 X 15'-6	93#
2.	1	CW00022	SWIVEL PLATE WELDMENT	3#
3.	1	CS00092	PIPE, 3 1/2" O.D. X 0.216 X 0'-1 3/4	1#
4.	1	CS00096	BENT SWIVEL PLATE	3#
5.	1	CS01360	PLATE, MOUNTING BRACKET (FORMED CHANNEL)	9#
6.	1	CS01361	PLATE, 2 HOLE ADAPTER CLAMP	3#
7.	2	C40140001	BOLT ASSEMBLY, 3/4 X 10 A307 W/NUT, LKW, FLW	4#
8.	2	C40026023	BOLT ASSEMBLY, 5/8 X 2 A325	1#
9.	1	C40026035	BOLT ASSEMBLY, 5/8 X 5 A325	1#
10.	2	C40042007	HEX NUT, 5/8 A194 2H	1#
11.	2	C40998007	SQ. HEAD SET SCREW, 5/8 X 2 1/2	1#
TOTAL WEIGHT				120#



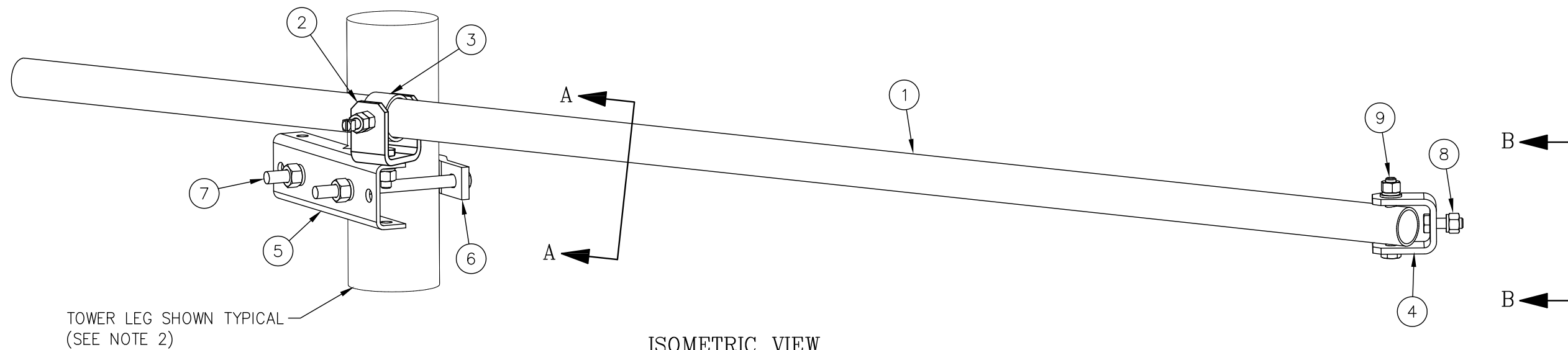
SECTION A-A



SECTION B-B


NOTES:

1. QUANTITIES SHOWN IN LISTS OF MATERIAL ARE FOR ONE (1) SWIVEL KNUCKLE TIBACK ONLY.
2. THIS SWIVEL KNUCKLE TIEBACK KIT WILL MOUNT TO THE FOLLOWING:
 - 1 1/2"φ TO 5 9/16"φ ROUND LEG
 - L 2 1/2 X 2 1/2 TO L 4 X 4 ANGLE LEG



ISOMETRIC VIEW

UNLESS OTHERWISE SPECIFIED ALL DIMENSIONS INCLUDE FINISHES AND ARE IN INCHES		MATERIAL:	
TOLERANCES: FRACTIONS ± 1/16" ANGLES ± 1/2 DEG. DECIMALS ± .010"		TOLERANCES DO NOT APPLY TO RAW MATERIAL	
REV	DATE	DRW/CHK	DESCRIPTION
1	9/7/07	DPJ/RWM	CHANGED LENGTH OF ITEM 9 (WAS 4 1/2)



CONFIDENTIAL
Information contained herein is the sole property of Sabre Communications Corporation, constitutes a trade secret as defined by Iowa Code Ch. 550 and shall not be reproduced, copied or used in whole or in part for any purpose whatsoever without prior written consent of Sabre Communications Corporation.

SWIVEL KNUCKLE TIEBACK ASSEMBLY (2 7/8"φ PIPE X 15'-6")			
DATE	11/28/06	SIZE	B
DRAWN BY	MLC	DRAWING NO.	C10179011
CHECKED BY	MC	SCALE	None
		REV	1
		PAGE	1 OF 1