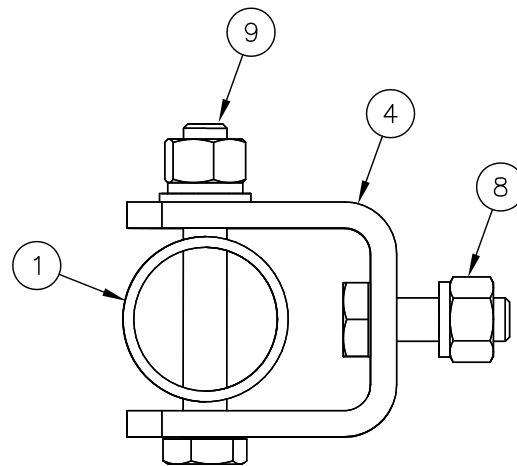
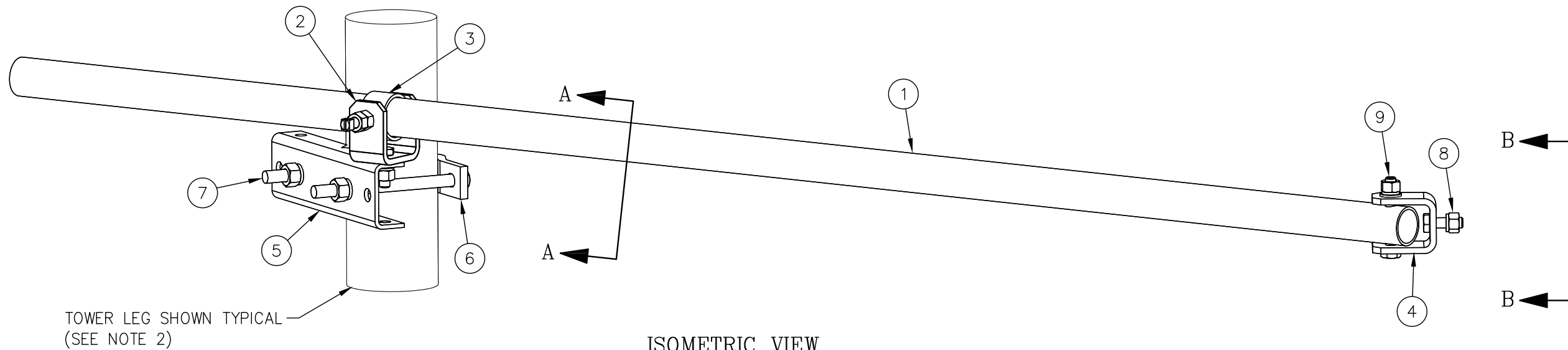


SECTION A-A



SECTION B-B



ISOMETRIC VIEW

TOWER LEG SHOWN TYPICAL
(SEE NOTE 2)

C10179002 SWIVEL KNUCKLE TIEBACK KIT				
ITEM	QTY.	PART NO.	DESCRIPTION	WEIGHT
1.	1	CS02089	PIPE, 2 3/8" O.D. X 0.154 X 13'-3"	43
2.	1	CW00013	SWIVEL PLATE WELDMENT	3
3.	1	CS00097	PIPE, 2 7/8" O.D. X 0.203 X 0'-1 3/4"	1
4.	1	CS00098	BENT SWIVEL PLATE	3
5.	1	CS01360	PLATE, MOUNTING BRACKET (FORMED CHANNEL)	9
6.	1	CS01361	PLATE, 2 HOLE ADAPTER CLAMP	3
7.	2	C40140001	BOLT ASSEMBLY, 3/4 X 10 A307 W/NUT, LKW, FLW	4
8.	2	C40026023	BOLT ASSEMBLY, 5/8 X 2 A325	1
9.	1	C40026033	BOLT ASSEMBLY, 5/8 X 4 1/2 A325	1
10.	2	C40042007	HEX NUT, 5/8 A194 2H	1
11.	2	C40998007	SQ. HEAD SET SCREW, 5/8 X 2 1/2"	1
TOTAL WEIGHT				70

NOTES:

- QUANTITIES SHOWN IN LISTS OF MATERIAL ARE FOR ONE (1) SWIVEL KNUCKLE TIBACK ONLY.
- THIS SWIVEL KNUCKLE TIEBACK KIT WILL MOUNT TO THE FOLLOWING:
 - 1 1/2"φ TO 5 9/16"φ ROUND LEG
 - L 2 1/2 X 2 1/2 TO L 4 X 4 ANGLE LEG

UNLESS OTHERWISE SPECIFIED ALL DIMENSIONS INCLUDE FINISHES AND ARE IN INCHES		MATERIAL:	
TOLERANCES: FRACTIONS ± 1/16" ANGLES ± 1/2 DEG. DECIMALS ± .010"		TOLERANCES DO NOT APPLY TO RAW MATERIAL	
REV	DATE	DRW/CHK	DESCRIPTION
2	1/7/09	MLC/MC	REVISED ITEM 1
1	12/1/06	MLC/MC	REVISED NOTE 2



CONFIDENTIAL
This document and the information contained herein is the confidential trade secret property of Sabre Communications Corporation ("Sabre") and must not be reproduced, copied or used, in whole or in part, for any purpose without the prior written consent of Sabre.
© 2007 Sabre Communications Corporation. All rights reserved.

SWIVEL KNUCKLE TIEBACK ASSEMBLY
(2 3/8"φ PIPE X 13'-3")

DATE	10/12/06	SIZE	B	DRAWING NO.	C10179002	REV	2
DRAWN BY	MLC	CHECKED BY	MC	SCALE	None	PAGE	1 OF 1