

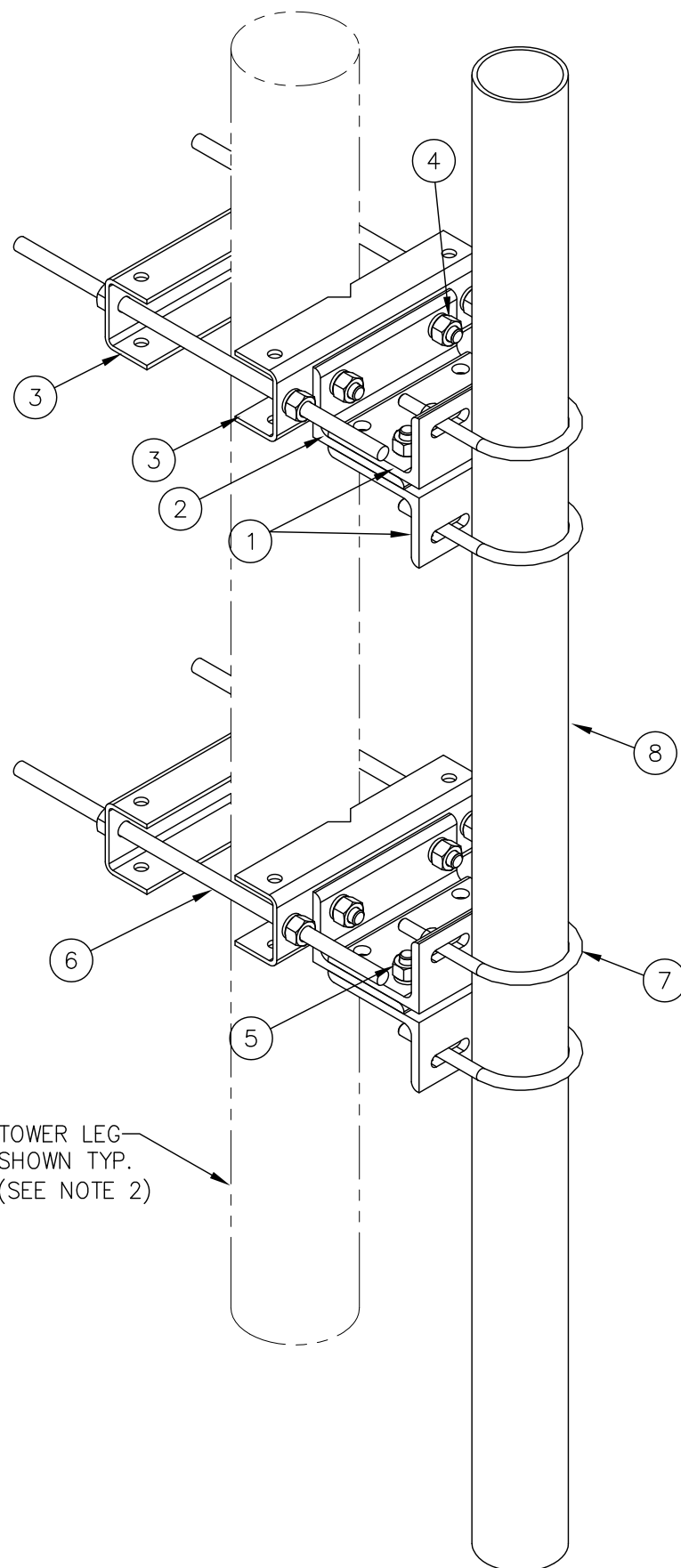


C10172999 ANTENNA PIPE MOUNTING KIT

ITEM	QTY.	PART NO.	DESCRIPTION	WEIGHT
1.	4	CS01427	ANGLE, PIPE MOUNT	50#
2.	2	CS01428	ANGLE, PIPE MOUNT	25#
3.	4	CS01360	PLATE, MOUNTING BRACKET (FORMED CHANNEL)	35#
4.	4	C40026043	BOLT ASSEMBLY, 3/4 X 2 A325	3#
5.	4	C40026047	BOLT ASSEMBLY, 3/4 Ø X 3 A325	3#
6.	4	C40094104	THREADED ROD ASSEMBLY, 3/4 Ø X 24 A36	12#
7.	4	C40034032	U-BOLT ASSEMBLY, 5/8 X 5 3/16 C-C	9#
8.	1	C10981407	PIPE, 4 1/2" O.D. (.180" WALL) X 7'-0"	58#
TOTAL WEIGHT				195#

NOTES:

1. QUANTITIES SHOWN IN THE LIST OF MATERIAL ARE FOR ONE ANTENNA PIPE MOUNTING KIT ONLY.
2. THIS ANTENNA PIPE MOUNTING KIT WILL MOUNT TO THE FOLLOWING TOWER LEG SIZES:
 - 5 3/4"Ø TO 10 3/4"Ø ROUND LEG
 - L 5 X 5 TO L 8 X 8 ANGLE LEG



TOWER LEG SHOWN TYP. (SEE NOTE 2)

ISOMETRIC VIEW

UNLESS OTHERWISE SPECIFIED ALL DIMENSIONS INCLUDE FINISHES AND ARE IN INCHES		MATERIAL:	
TOLERANCES: FRACTIONS ± 1/16" ANGLES ± 1/2 DEG. DECIMALS ± .010"		TOLERANCES DO NOT APPLY TO RAW MATERIAL	
REV	DATE	DRW/CHK	DESCRIPTION
1	1/13/09	MLC/MC	REVISED PIPE (ITEM 8)



CONFIDENTIAL
Information contained herein is the sole property of Sabre Communications Corporation, constitutes a trade secret as defined by Iowa Code Ch. 550 and shall not be reproduced, copied or used in whole or in part for any purpose whatsoever without prior written consent of Sabre Communications Corporation.

ANTENNA PIPE MOUNTING KIT
(5 3/4"Ø TO 10 3/4"Ø ROUND LEG)
(5" TO 8" ANGLE LEG)

DATE	9/12/07	SIZE	B	DRAWING NO.	C10172999	REV	1
DRAWN BY	MLC	CHECKED BY	MC	SCALE	None	PAGE	1 OF 1