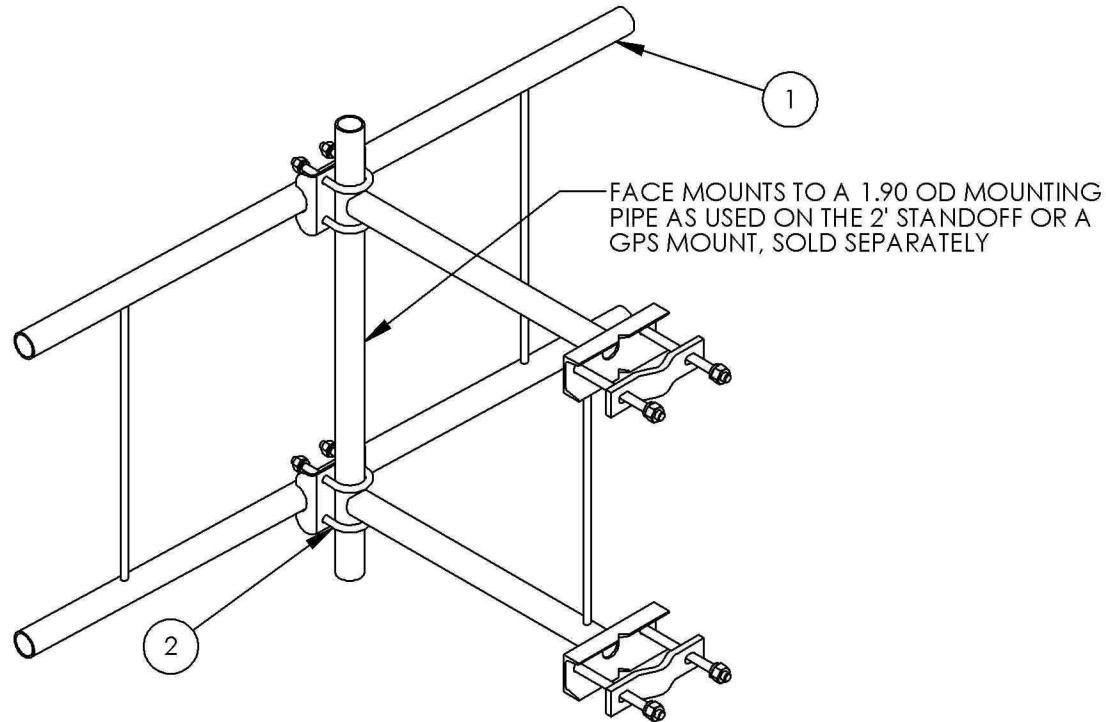


ITEM NO.	QTY.	PART NO.	DESCRIPTION	WEIGHT	TOTAL WEIGHT	TOTAL GALVANIZED WEIGHT
2	4	C40034060	U-BOLT, 1/2" FOR 1.90" OD PIPE	0.7	32.8	34.1
1	1	CW00684	WELDMENT, 4'-6" FACE	30.0		



UNLESS OTHERWISE SPECIFIED
ALL DIMENSIONS INCLUDE
FINISHES AND ARE IN INCHES

TOLERANCES: FRACTIONAL $\pm 1/16"$
ANGULAR: $\pm 1/2^\circ$
DECIMAL $\pm .010"$

MATERIAL:

TOLERANCES DO NOT APPLY
TO RAW MATERIAL

TITLE:

ASSEMBLY, 4' -6" FACE

REV	DATE	DRW	CHK	DESCRIPTION

CONFIDENTIAL

This document and the information contained herein is the confidential trade secret property of Sabre Communication Corporation ("Sabre") and must not be reproduced, copied or used, in whole or in part, for any purpose without the prior written consent of Sabre. ©2008 Sabre Communications Corporation. All rights reserved.

DATE	9/15/2008	SIZE	DWG. NO.	REV
DRAWN BY	JV	A	C10159004	0
CHECKED BY			SCALE:	PAGE:
			1:12	1 OF 1