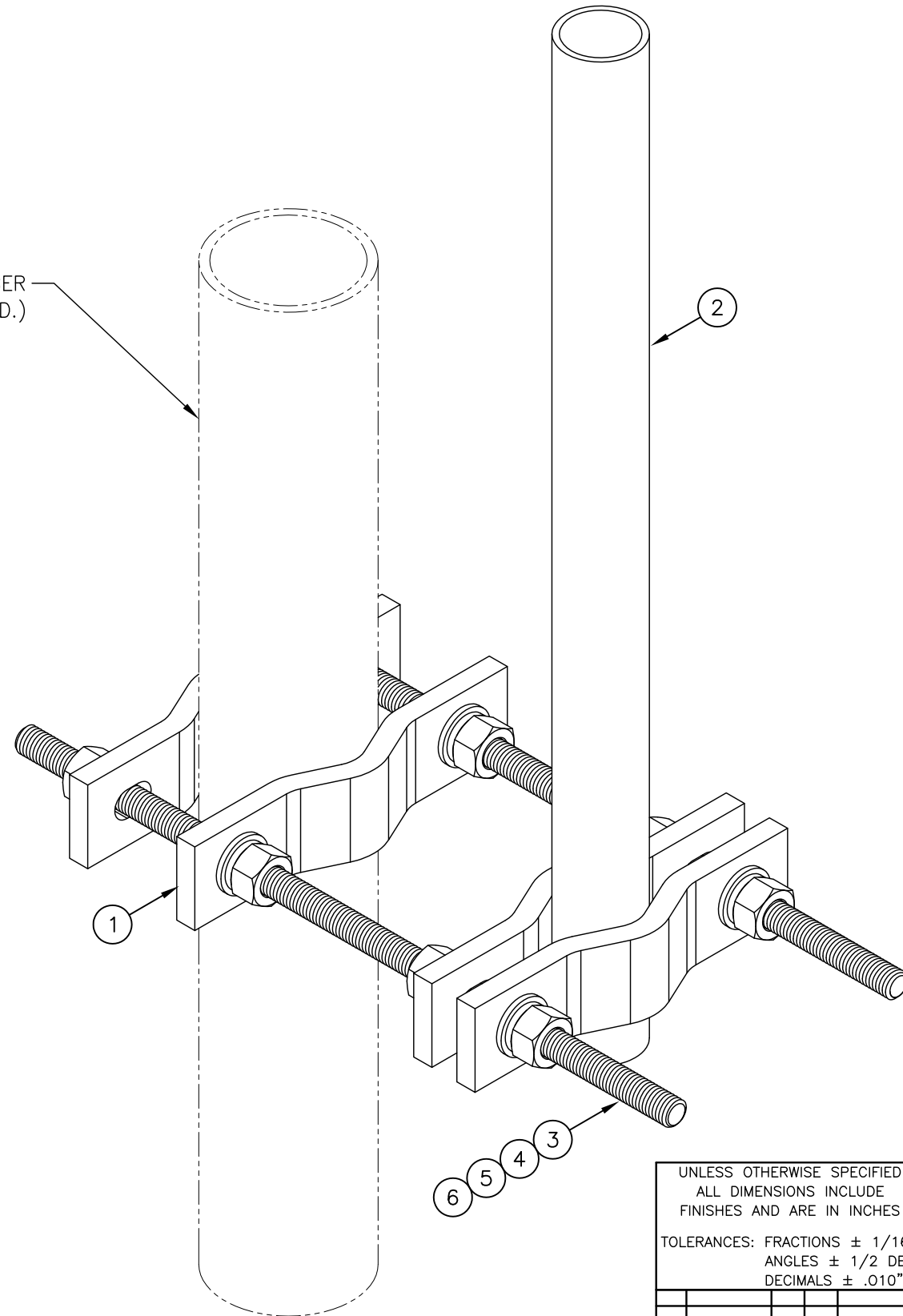




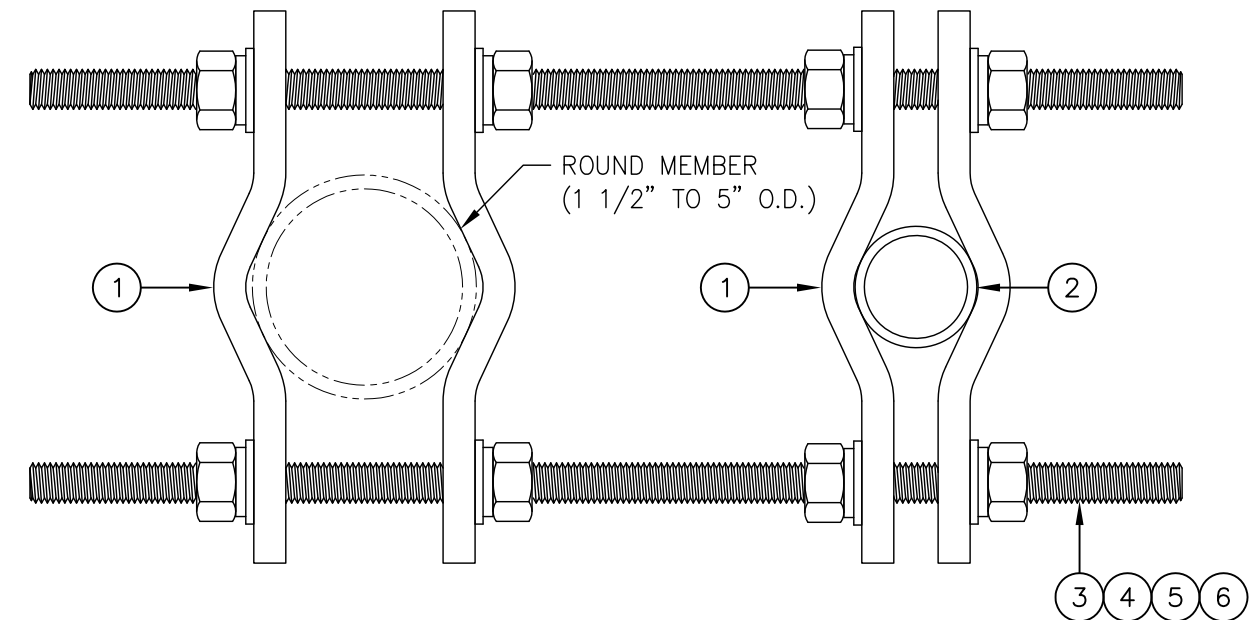
C10158001 GPS MOUNT

ITEM	QTY.	PART NO.	DESCRIPTION	WEIGHT
1.	4	CS00144	2 HOLE PIPE ADAPTER CLAMP 1 1/2" TO 5" O.D.	10
2.	1	CS00044	PIPE, 1.9" O.D. X 0.145 X 2'-0	6
3.	2	C40099003	THR'D ROD ASS'Y. 5/8 ϕ X 1'-6" ASTM A193 GR B7	4
4.	4	C40042007	NUT, 5/8" ϕ A194 GRADE 2H	1
5.	4	C40030012	LOCKWASHER, 5/8 ϕ	1
6.	4	C40031003	FLATWASHER, 5/8 ϕ HARDENED ASTM F436	1
TOTAL WEIGHT				23

ROUND MEMBER
(1 1/2" TO 5" O.D.)



ISOMETRIC VIEW



PLAN VIEW

UNLESS OTHERWISE SPECIFIED
ALL DIMENSIONS INCLUDE
FINISHES AND ARE IN INCHES
TOLERANCES: FRACTIONS $\pm 1/16"$
ANGLES $\pm 1/2$ DEG.
DECIMALS $\pm .010"$

MATERIAL:
TOLERANCES DO NOT APPLY
TO RAW MATERIAL



CONFIDENTIAL
This document and the information contained herein is the confidential trade secret property of Sabre Communications Corporation ("Sabre") and must not be reproduced, copied or used, in whole or in part, for any purpose without the prior written consent of Sabre.
© 2006 Sabre Communications Corporation. All rights reserved.

GPS MOUNT
(FITS 1 1/2" TO 5" O.D.)

REV	DATE	DRW	CHK	DESCRIPTION
2	07/06/06	WRF	WMN	ADDED ISOMETRIC VIEW
1	01/12/05	RWM	MWR	REVISED ITEM #2 - WAS CS00505

DATE	07/01/03	SIZE	B	DRAWING NO.	C10158001	REV	2
DRAWN BY	KLE	SCALE	None	PAGE	1 OF 1		
CHECKED BY	DLW						