



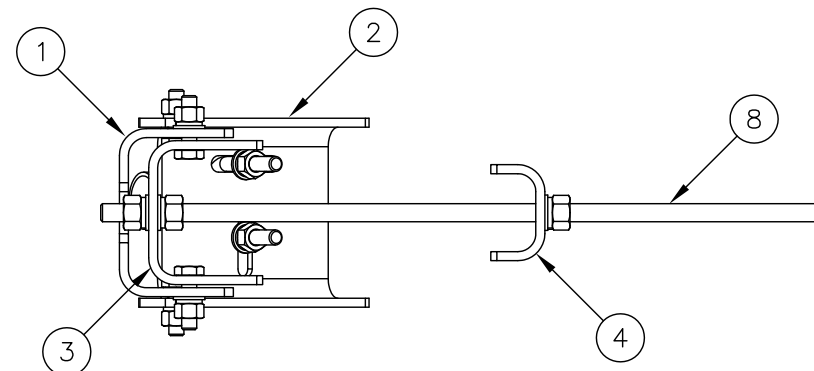
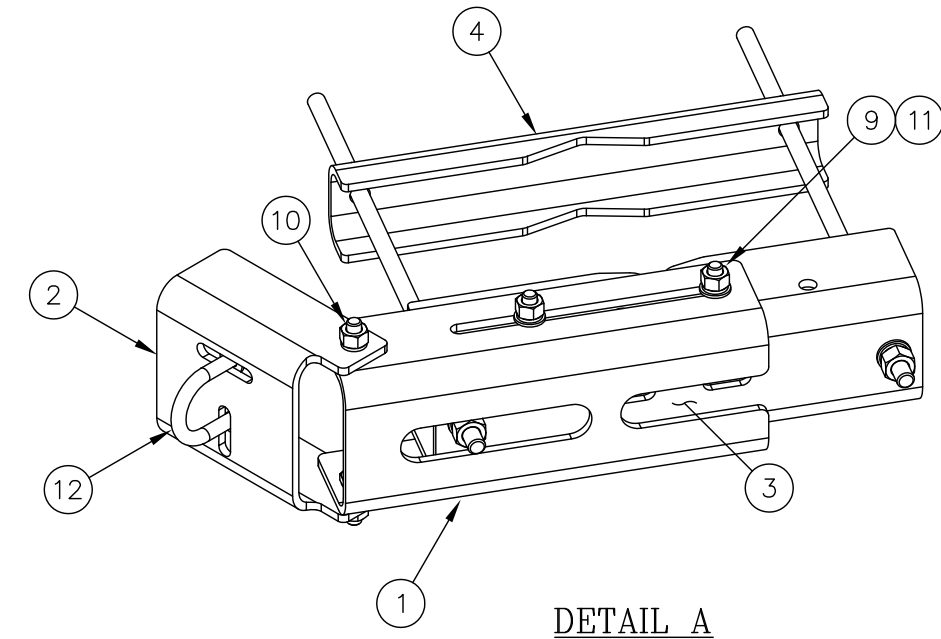
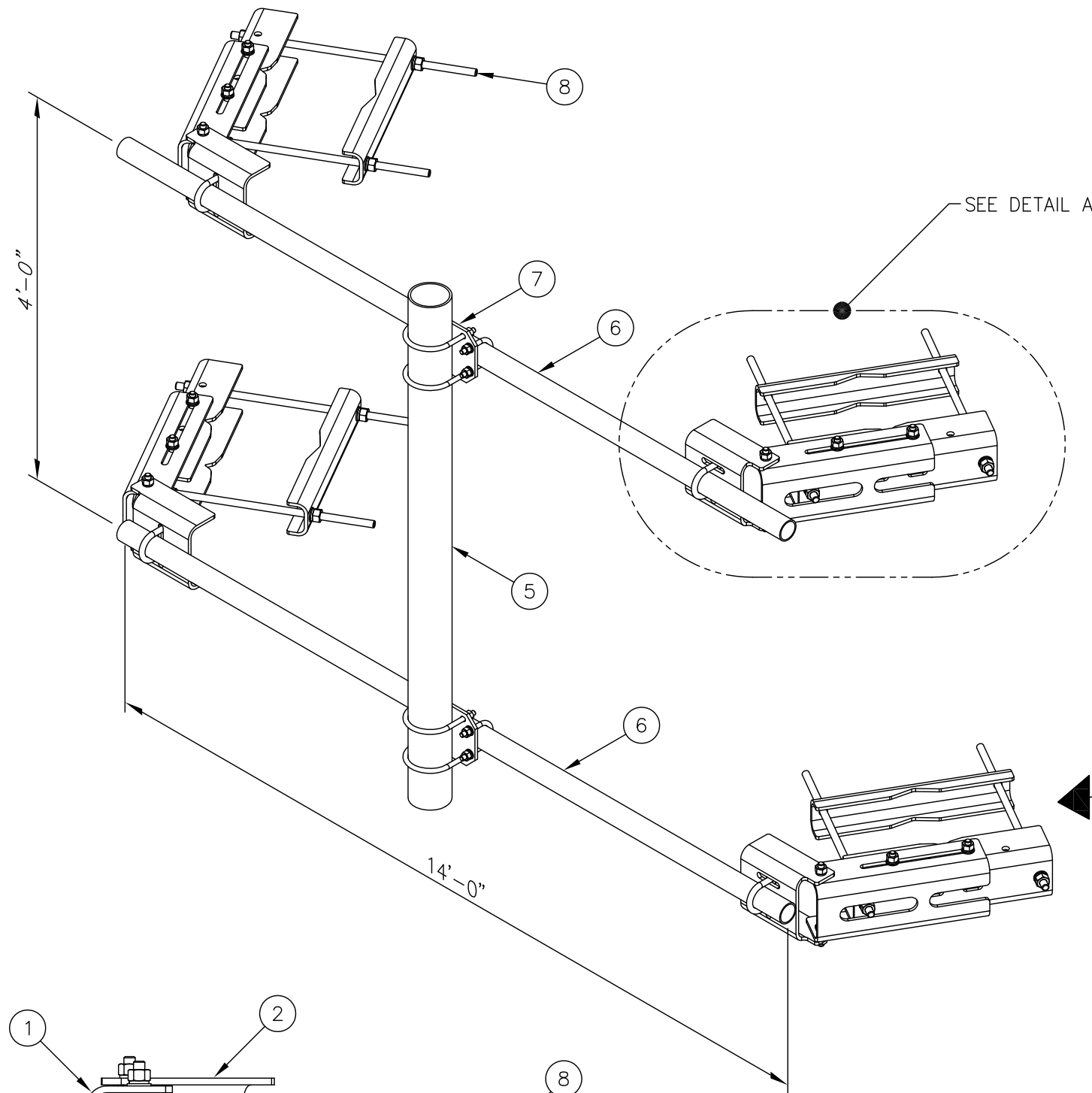
C10153446 (FMDSX2-168) MICROWAVE DISH 14' HORIZONTAL SUPPORT

ITEM	QTY.	PART NO.	DESCRIPTION	WEIGHT
1.	4	CS03257	CHANNEL FACE BRACKET	102
2.	4	CS03220	CHANNEL PIVOTING BRACKET	53
3.	4	CS03255	CHANNEL SADDLE MOUNT	125
4.	4	CS03256	CHANNEL CLAMP	62
5.	1	C10901405	PIPE, 4 1/2 O.D. X .237 X 5'-3	59
6.	2	CS03267	PIPE, 2 3/8 O.D. X .154 X 14'-0	106
7.	2	C10902017	CROSSOVER PLATE KIT, 2 3/8 - 4 1/2 PIPE	18
8.	8	C40099043	THREADED ROD ASSEMBLY, 3/4 ϕ X 2'-6 GR B-7	38
9.	16	C40026024	BOLT ASSEMBLY, 5/8 ϕ X 2 1/4 A325	8
10.	8	C40026023	BOLT ASSEMBLY, 5/8 ϕ X 2 A325	4
11.	16	C40031003	5/8" HARDENED FLATWASHER ASTM F436	1
12.	4	C40034023	U-BOLT ASSEMBLY, 5/8 ϕ X 3 1/16 C-C	7
TOTAL WEIGHT				583

*
**

* EACH C10902017 CROSSOVER PLATE KIT CONSISTS OF . . .
 (1) CS03194 CROSSOVER PLATE
 (2) C40034139 U-BOLT ASSEMBLY, 1/2 ϕ X 2 15/16 C-C
 (2) C40034170 U-BOLT ASSEMBLY, 1/2 ϕ X 5 1/16 C-C

** EACH THREADED ROD ASSEMBLY COMES WITH
 (3) NUTS, (3) LOCKWASHERS & (3) FLATWASHERS



THIS MOUNT FITS:

ROUNDS 8" O.D. TO 16" O.D.
 60° ANGLES 8" TO 16"
 90° ANGLES 6" TO 12"

VIEW B

UNLESS OTHERWISE SPECIFIED
 ALL DIMENSIONS INCLUDE
 FINISHES AND ARE IN INCHES
 TOLERANCES: FRACTIONS $\pm 1/16"$
 ANGLES $\pm 1/2$ DEG.
 DECIMALS $\pm .010"$

MATERIAL:

TOLERANCES DO NOT APPLY
 TO RAW MATERIAL



CONFIDENTIAL
 This document and the information
 contained herein is the confidential trade
 secret property of Sabre Communications
 Corporation ("Sabre") and must not be
 reproduced, copied or used, in whole or in
 part, for any purpose without the prior
 written consent of Sabre.
 © 2015 Sabre Communications Corporation.
 All rights reserved.

**TOWER FACE MOUNTED
 MICROWAVE DISH SUPPORT
 (2 3/8" O.D. X 14'-0 PIPE HORIZONTALS)
 (FMDSX2-168)**

REV	DATE	DRWCHK	DESCRIPTION

DATE	06/14/15	SIZE	B	DRAWING NO.	C10153446	REV	0
DRAWN BY	WRF						
CHECKED BY	KLE			SCALE	None	PAGE	1 OF 1