

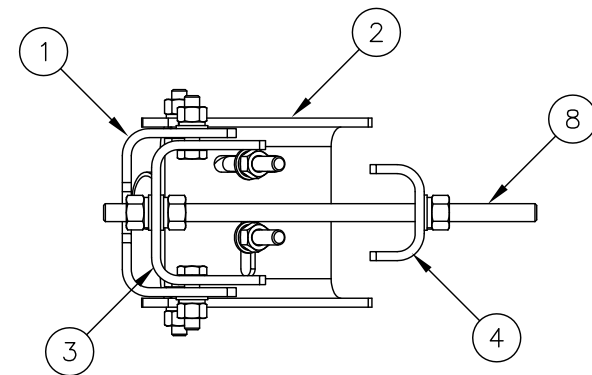
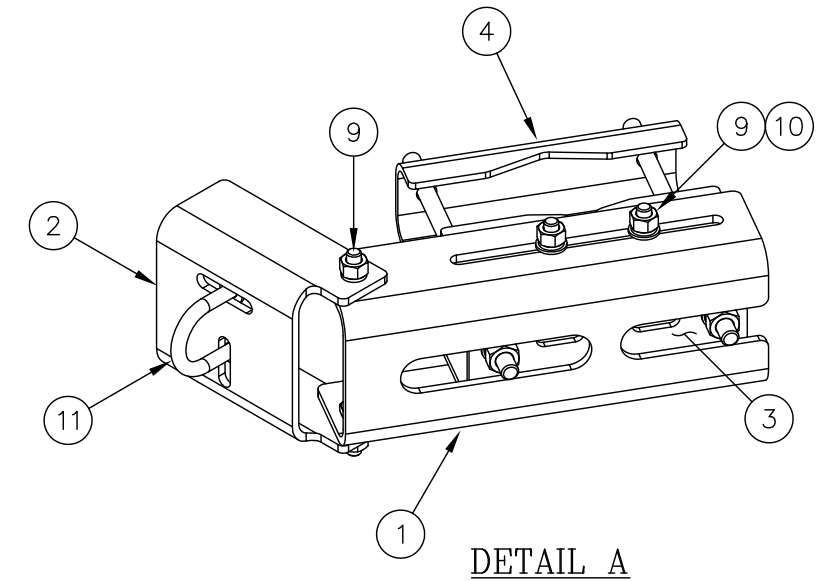
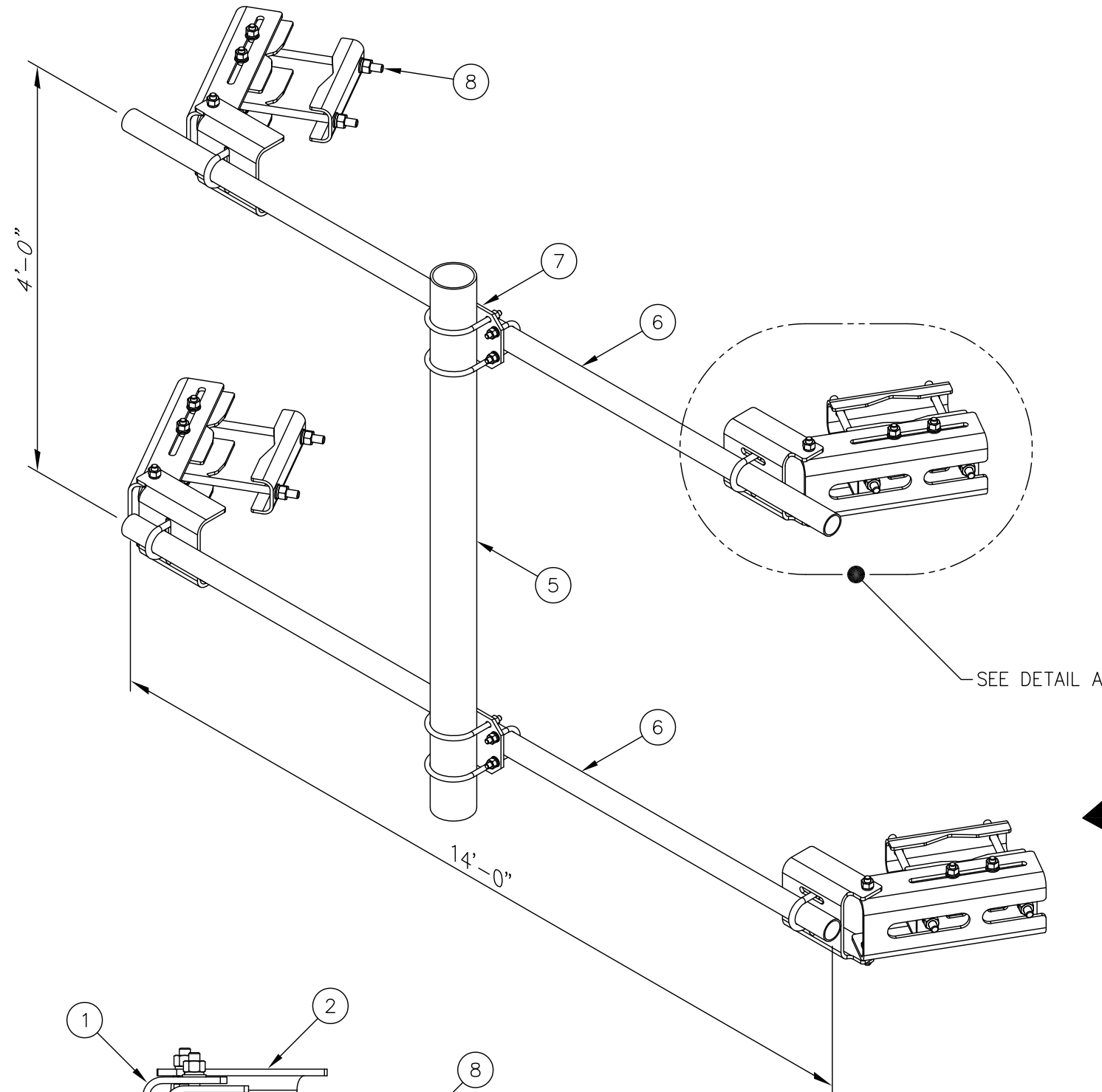


C10153439 (FMDS2-168) MICROWAVE DISH 14' HORIZONTAL SUPPORT

| ITEM | QTY. | PART NO. | DESCRIPTION | WEIGHT |
|--------------|------|-----------|---|--------|
| 1. | 4 | CS03257 | CHANNEL FACE BRACKET | 102 |
| 2. | 4 | CS03220 | CHANNEL PIVOTING BRACKET | 53 |
| 3. | 4 | CS03198 | CHANNEL SADDLE MOUNT | 59 |
| 4. | 4 | CS03199 | CHANNEL CLAMP | 52 |
| 5. | 1 | C10901405 | PIPE, 4 1/2 O.D. X .237 X 5'-3 | 59 |
| 6. | 2 | CS03267 | PIPE, 2 3/8 O.D. X .154 X 14'-0 | 106 |
| 7. | 2 | C10902017 | CROSSOVER PLATE KIT, 2 3/8 - 4 1/2 PIPE | 18 |
| * ** | 8. | C40032306 | THREADED ROD ASSEMBLY, 3/4 ø X 1'-6 | 25 |
| | 9. | C40026023 | BOLT ASSEMBLY, 5/8 ø X 2 A325 | 11 |
| | 10. | C40031003 | 5/8" HARDENED FLATWASHER ASTM F436 | 1 |
| | 11. | C40034023 | U-BOLT ASSEMBLY, 5/8 ø X 3 1/16 C-C | 7 |
| TOTAL WEIGHT | | | | 493 |

*
**

- * EACH C10902017 CROSSOVER PLATE KIT CONSISTS OF . . .
 (1) CS03194 CROSSOVER PLATE
 (2) C40034139 U-BOLT ASSEMBLY, 1/2 ø X 2 15/16 C-C
 (2) C40034170 U-BOLT ASSEMBLY, 1/2 ø X 5 1/16 C-C
- ** EACH THREADED ROD ASSEMBLY COMES WITH
 (3) NUTS, (3) LOCKWASHERS & (3) FLATWASHERS



THIS MOUNT FITS:
 ROUNDS UP TO 8" O.D.
 60° ANGLES UP TO 8"
 90° ANGLES UP TO 6"

VIEW B

UNLESS OTHERWISE SPECIFIED
 ALL DIMENSIONS INCLUDE
 FINISHES AND ARE IN INCHES
 TOLERANCES: FRACTIONS ± 1/16"
 ANGLES ± 1/2 DEG.
 DECIMALS ± .010"

MATERIAL:
 TOLERANCES DO NOT APPLY
 TO RAW MATERIAL

| REV | DATE | DRW/CHK | DESCRIPTION |
|-----|------|---------|-------------|
| | | | |
| | | | |
| | | | |
| | | | |
| | | | |
| | | | |
| | | | |
| | | | |
| | | | |



CONFIDENTIAL
 This document and the information
 contained herein is the confidential trade
 secret property of Sabre Communications
 Corporation ("Sabre") and must not be
 reproduced, copied or used, in whole or in
 part, for any purpose without the prior
 written consent of Sabre.
 © 2015 Sabre Communications Corporation.
 All rights reserved.

TOWER FACE MOUNTED
 MICROWAVE DISH SUPPORT
 (2 3/8" O.D. X 14'-0 PIPE HORIZONTALS)
 (FMDS2-168)

| DATE | 06/14/15 | SIZE | B | DRAWING NO. | C10153439 | REV | 0 |
|----------|----------|------------|-----|-------------|-----------|------|--------|
| DRAWN BY | WRF | CHECKED BY | KLE | SCALE | None | PAGE | 1 OF 1 |