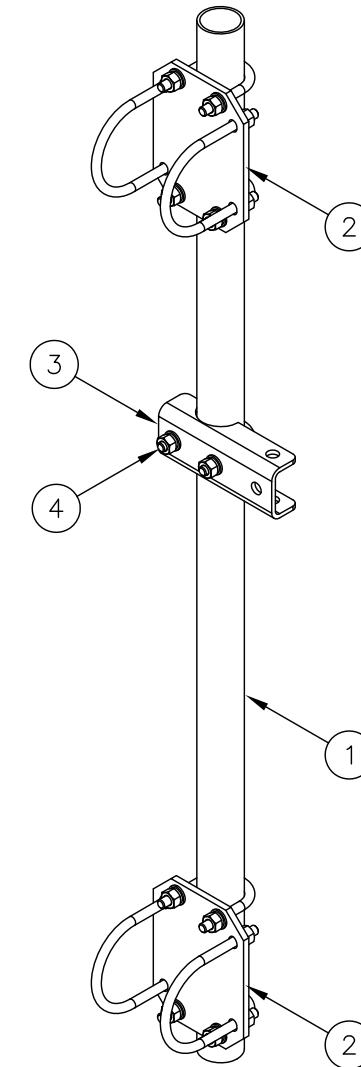
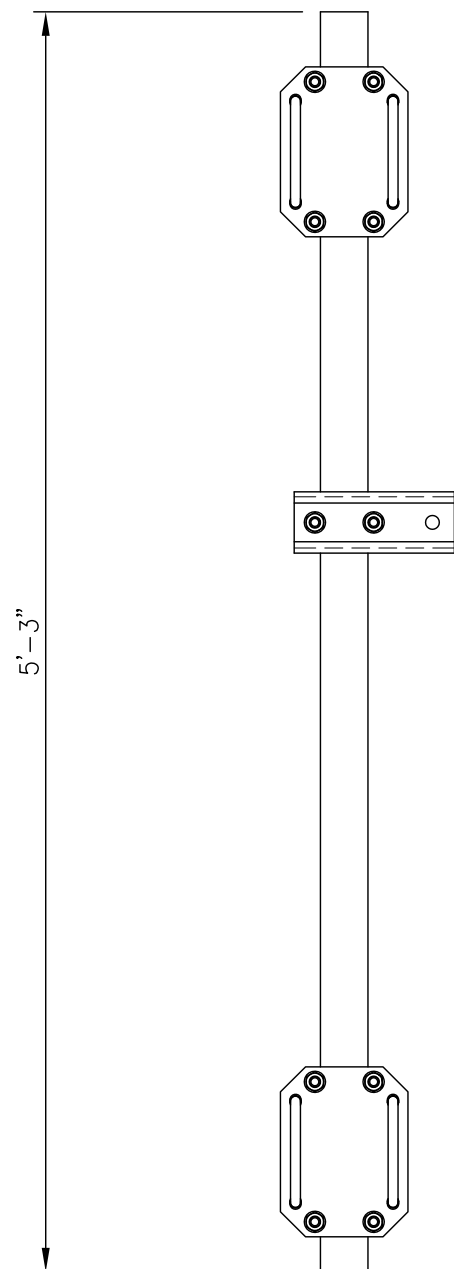
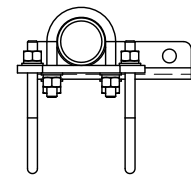




C10153433 (FMSS-4) TOWER FACE MOUNT STRUT SUPPORT

ITEM	QTY.	PART NO.	DESCRIPTION	WEIGHT	
1.	1	CS03265	PIPE, 2 3/8 O.D. X .154 X 5'-3	20	
* 2.	2	C10902017	CROSSOVER PLATE KIT, 2 3/8 TO 4 1/2	18	
3.	1	CS03202	TOWER FACE MOUNT STIFFARM	3	
4.	1	C40034136	U-BOLT ASSEMBLY, 1/2 X 2 15/16 C-C	1	
				TOTAL WEIGHT	42

* EACH C10902017 CROSSOVER PLATE KIT CONSISTS OF . . .
 (1) CS03194 CROSSOVER PLATE
 (2) C40034139 U-BOLT ASSEMBLY, 1/2 Ø X 2 15/16 C-C
 (2) C40034170 U-BOLT ASSEMBLY, 1/2 Ø X 5 1/16 C-C



UNLESS OTHERWISE SPECIFIED
 ALL DIMENSIONS INCLUDE
 FINISHES AND ARE IN INCHES
 TOLERANCES: FRACTIONS ± 1/16"
 ANGLES ± 1/2 DEG.
 DECIMALS ± .010"

MATERIAL:
 TOLERANCES DO NOT APPLY
 TO RAW MATERIAL



TOWER FACE MOUNT STRUT SUPPORT
 (2 3/8" O.D. TO 4 1/2" O.D.)
 (FMSS-4)

REV	DATE	DRW/CHK	DESCRIPTION

CONFIDENTIAL
 This document and the information
 contained herein is the confidential trade
 secret property of Sabre Communications
 Corporation ("Sabre") and must not be
 reproduced, copied or used, in whole or in
 part, for any purpose without the prior
 written consent of Sabre.
 © 2015 Sabre Communications Corporation.
 All rights reserved.

DATE	03/16/15	SIZE	B	DRAWING NO.	C10153433	REV	0
DRAWN BY	WRF	SCALE		PAGE		None	
CHECKED BY	KLE			1		OF 1	