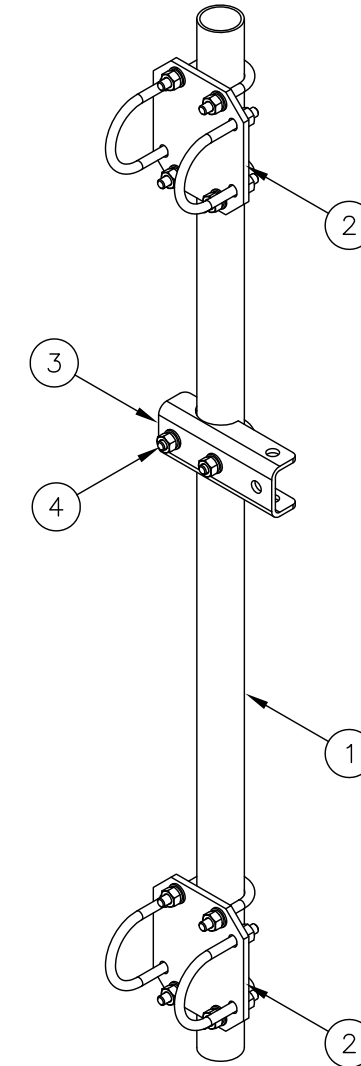
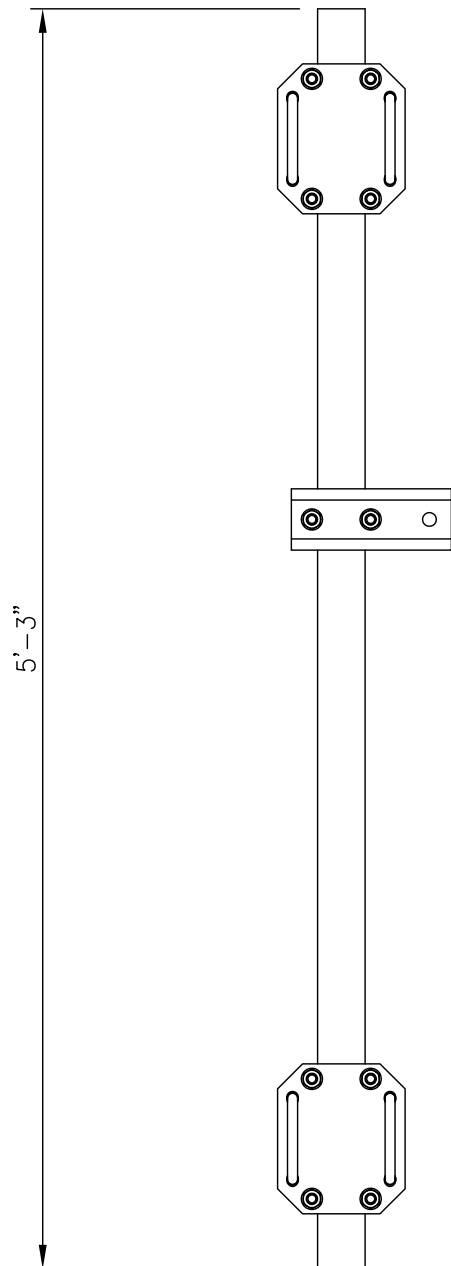
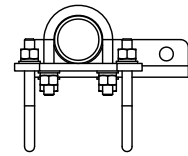




C10153432 (FMSS-3) TOWER FACE MOUNT STRUT SUPPORT

ITEM	QTY.	PART NO.	DESCRIPTION	WEIGHT
1.	1	CS03265	PIPE, 2 3/8 O.D. X .154 X 5'-3	20
* 2.	2	C10902013	CROSSOVER PLATE KIT, 2 3/8 TO 3 1/2	18
3.	1	CS03202	TOWER FACE MOUNT STIFFARM	3
4.	1	C40034136	U-BOLT ASSEMBLY, 1/2 X 2 15/16 C-C	1
TOTAL WEIGHT				42

\* EACH C10902013 CROSSOVER PLATE KIT CONSISTS OF . . .  
 (1) CS03123 CROSSOVER PLATE  
 (2) C40034139 U-BOLT ASSEMBLY, 1/2 Ø X 2 15/16 C-C  
 (2) C40034143 U-BOLT ASSEMBLY, 1/2 Ø X 4 1/16 C-C



UNLESS OTHERWISE SPECIFIED  
 ALL DIMENSIONS INCLUDE  
 FINISHES AND ARE IN INCHES  
 TOLERANCES: FRACTIONS ± 1/16"  
 ANGLES ± 1/2 DEG.  
 DECIMALS ± .010"

MATERIAL:  
 TOLERANCES DO NOT APPLY  
 TO RAW MATERIAL



TOWER FACE MOUNT STRUT SUPPORT  
 (2 3/8" O.D. TO 3 1/2" O.D.)  
 (FMSS-3)

REV	DATE	DRW/CHK	DESCRIPTION

**CONFIDENTIAL**  
 This document and the information  
 contained herein is the confidential trade  
 secret property of Sabre Communications  
 Corporation ("Sabre") and must not be  
 reproduced, copied or used, in whole or in  
 part, for any purpose without the prior  
 written consent of Sabre.  
 © 2015 Sabre Communications Corporation.  
 All rights reserved.

DATE	05/14/15	SIZE	B	DRAWING NO.	C10153432	REV	0
DRAWN BY	WRF	SCALE	None	PAGE	1	OF	1
CHECKED BY	KLE						