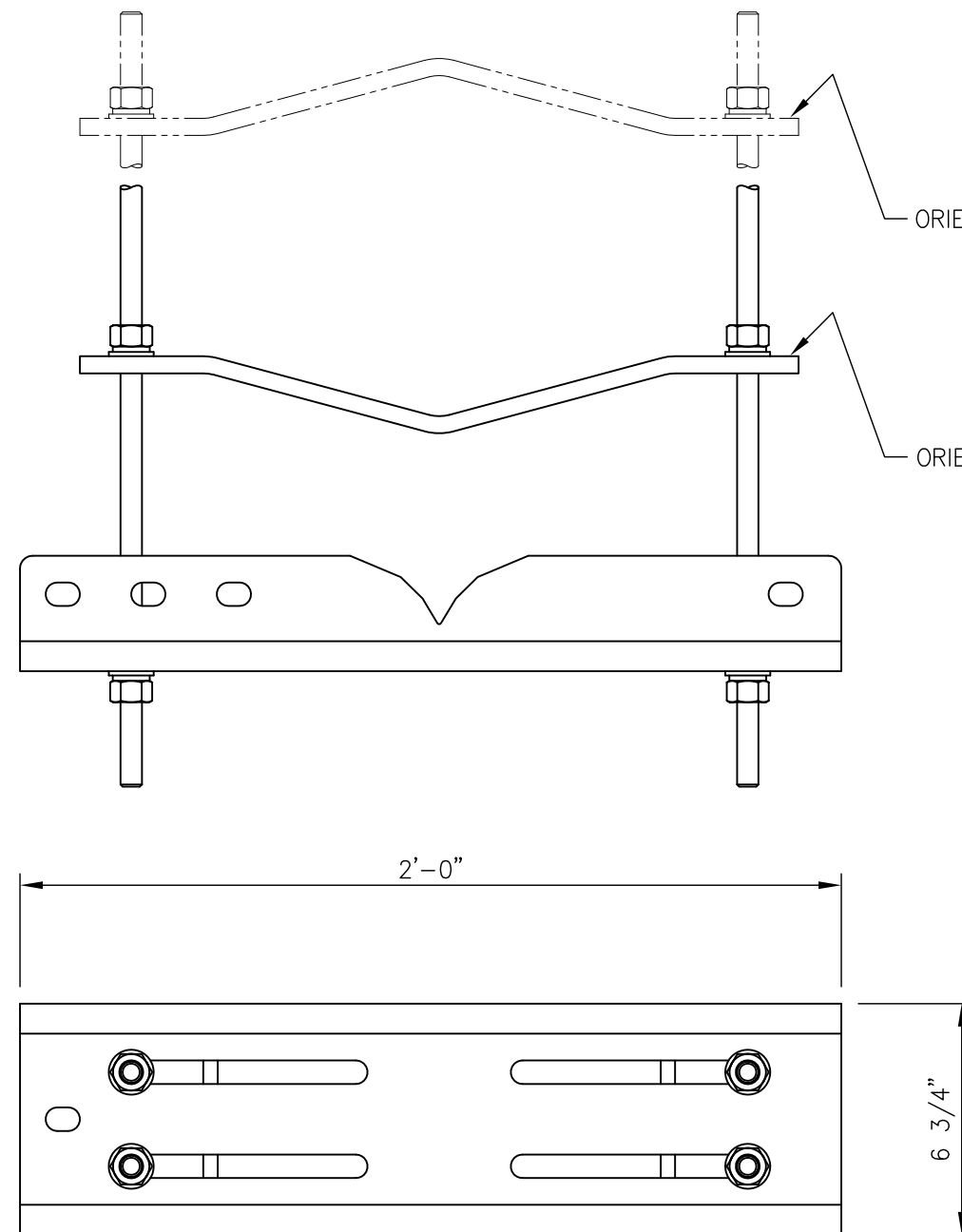




C10153430 (MSSBX) MICROWAVE DISH STRUT SUPPORT BRACKET

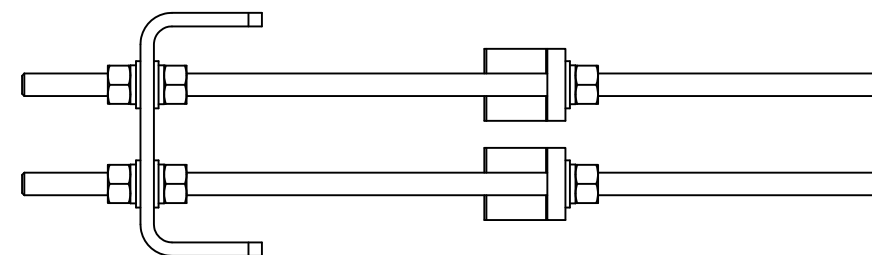
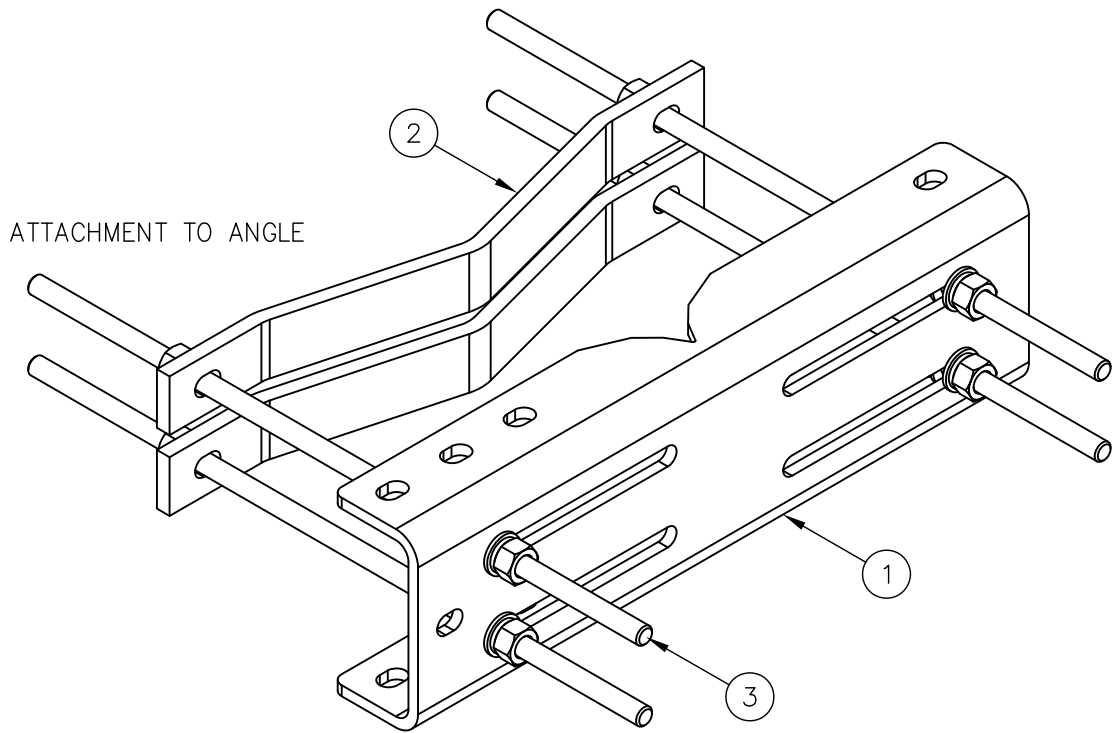
ITEM	QTY.	PART NO.	DESCRIPTION	WEIGHT
1.	1	CS03260	UNIVERSAL LEG CHANNEL	29
2.	2	CS03244	8" O.D. TO 16" O.D. CLAMP HALF	12
3.	4	C40032305	THREADED ROD ASSEMBLY, 5/8 ϕ X 2'-0	11
TOTAL WEIGHT				52

* EACH THREADED ROD ASSEMBLY COMES WITH
(3) NUTS, (3) LOCKWASHERS & (3) FLATWASHERS



ORIENT CLAMP IN THIS DIRECTION FOR ATTACHMENT TO PIPE

ORIENT CLAMP IN THIS DIRECTION FOR ATTACHMENT TO ANGLE



THIS MOUNT FITS:
 ROUNDS 8" O.D. TO 16" O.D.
 60° ANGLES 8" TO 16"
 90° ANGLES 6" TO 12"

UNLESS OTHERWISE SPECIFIED
 ALL DIMENSIONS INCLUDE
 FINISHES AND ARE IN INCHES
 TOLERANCES: FRACTIONS $\pm 1/16"$
 ANGLES $\pm 1/2$ DEG.
 DECIMALS $\pm .010"$

MATERIAL:
 TOLERANCES DO NOT APPLY
 TO RAW MATERIAL



CONFIDENTIAL
 This document and the information
 contained herein is the confidential trade
 secret property of Sabre Communications
 Corporation ("Sabre") and must not be
 reproduced, copied or used, in whole or in
 part, for any purpose without the prior
 written consent of Sabre.
 © 2015 Sabre Communications Corporation.
 All rights reserved.

TOWER LEG MOUNTED
 MICROWAVE DISH STRUT SUPPORT BRACKET
 (MSSBX)

REV	DATE	DRWCHK	DESCRIPTION

DATE	06/23/15	SIZE	B	DRAWING NO.	C10153430	REV	0
DRAWN BY	WRF	SCALE	None	PAGE	1 OF 1	CHECKED BY	KLE