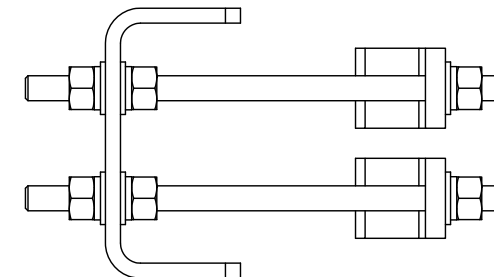
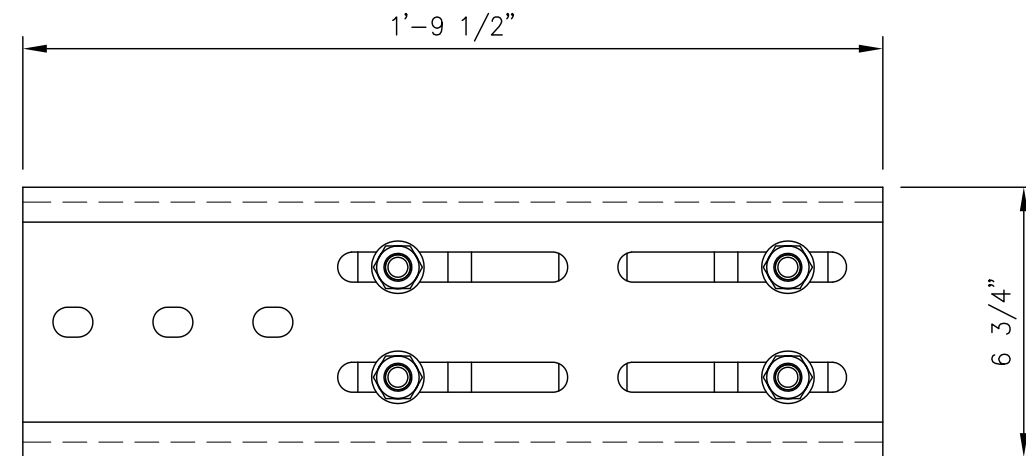
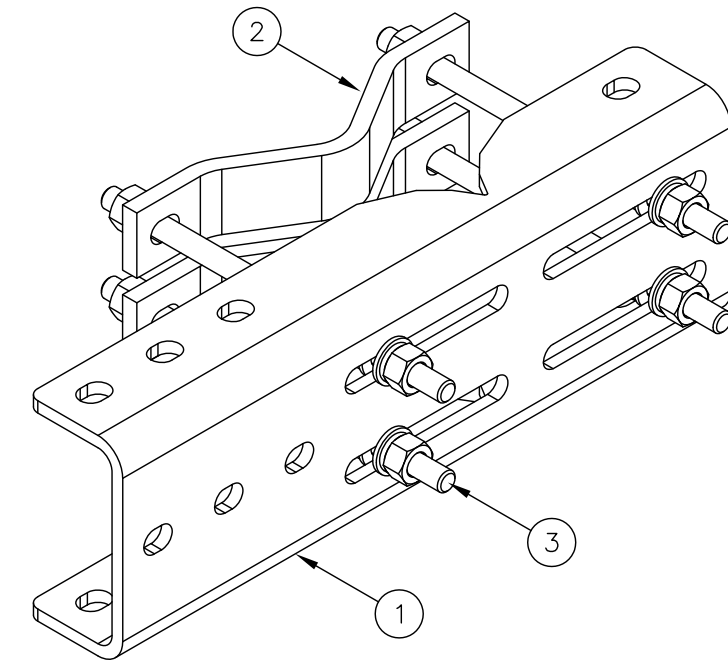
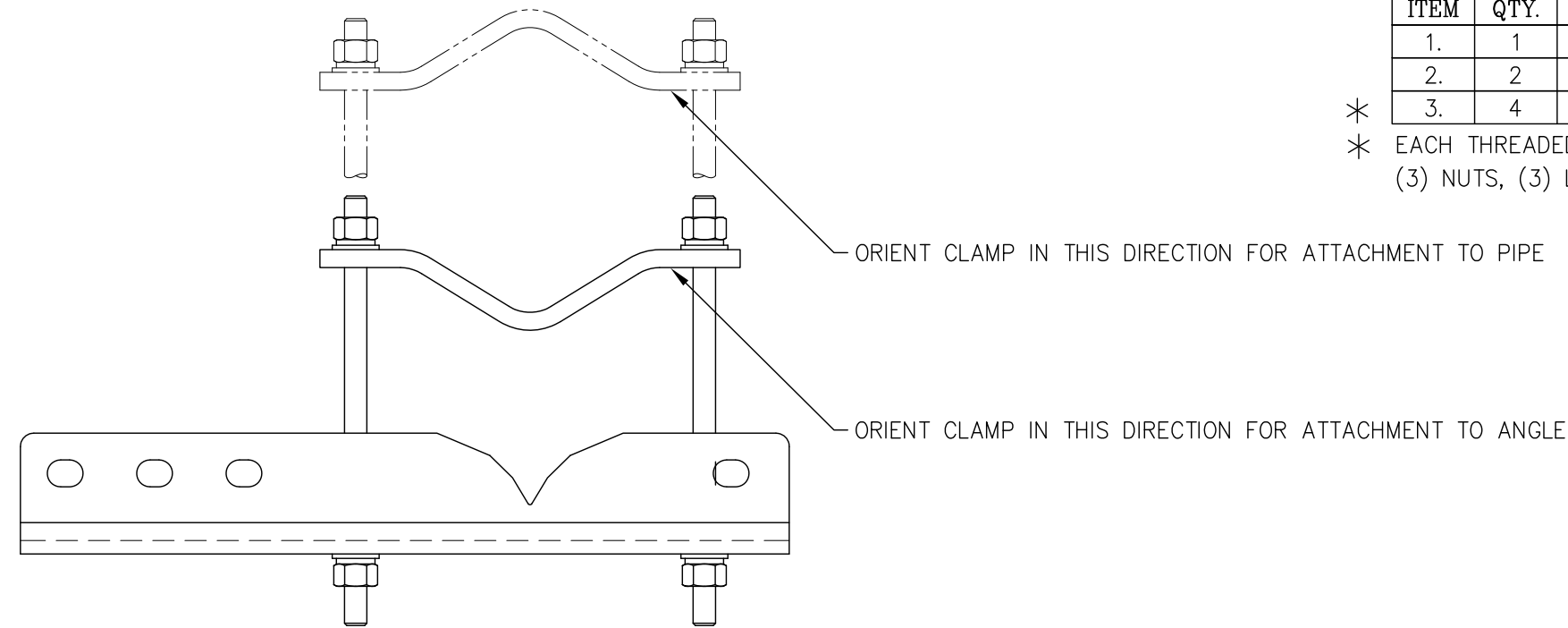




C10153426 (MSSB) MICROWAVE DISH STRUT SUPPORT BRACKET

ITEM	QTY.	PART NO.	DESCRIPTION	WEIGHT	
1.	1	CS03195	UNIVERSAL LEG CHANNEL	26	
2.	2	CS03196	2 1/2" O.D. TO 9" O.D. CLAMP HALF	7	
3.	4	C40032303	THREADED ROD ASSEMBLY, 5/8 ϕ X 1'-2	8	
				TOTAL WEIGHT	41

* EACH THREADED ROD ASSEMBLY COMES WITH (3) NUTS, (3) LOCKWASHERS & (3) FLATWASHERS



THIS MOUNT FITS:
 ROUNDS UP TO 8" O.D.
 60° ANGLES UP TO 8"
 90° ANGLES UP TO 6"

UNLESS OTHERWISE SPECIFIED ALL DIMENSIONS INCLUDE FINISHES AND ARE IN INCHES			MATERIAL:
TOLERANCES: FRACTIONS $\pm 1/16"$ ANGLES $\pm 1/2$ DEG. DECIMALS $\pm .010"$			TOLERANCES DO NOT APPLY TO RAW MATERIAL
REV	DATE	DRWCHK	DESCRIPTION

Sabre Industries™
Towers and Poles

CONFIDENTIAL
This document and the information contained herein is the confidential trade secret property of Sabre Communications Corporation ("Sabre") and must not be reproduced, copied or used, in whole or in part, for any purpose without the prior written consent of Sabre.
© 2015 Sabre Communications Corporation. All rights reserved.

TOWER LEG MOUNTED MICROWAVE DISH STRUT SUPPORT BRACKET (MSSB)			
DATE	03/16/15	SIZE	B
DRAWN BY	WRF	DRAWING NO.	C10153426
CHECKED BY	KLE	SCALE	None
		REV	0
		PAGE	1 OF 1