

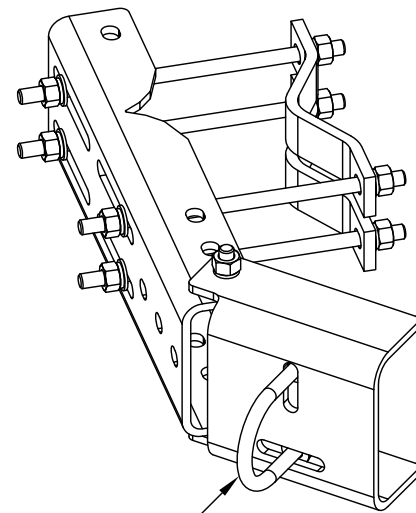


C10153425 (2MSSBF3) MICROWAVE DISH STRUT SUPPORT BRACKET

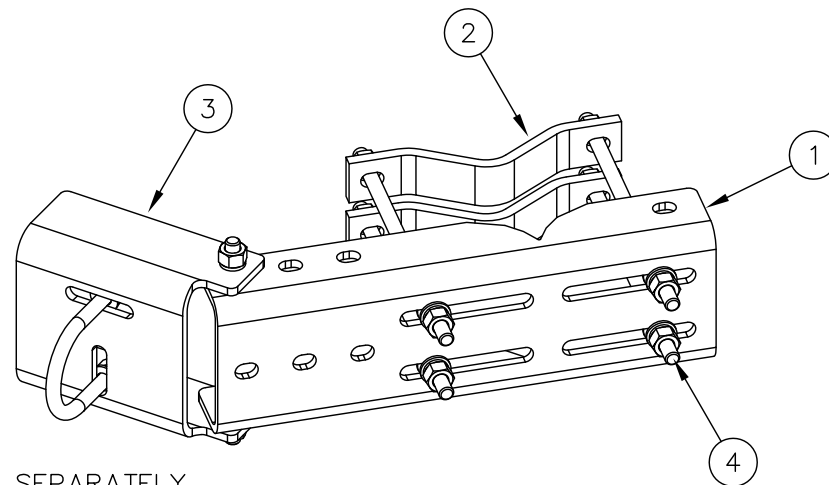
ITEM	QTY.	PART NO.	DESCRIPTION	WEIGHT
1.	2	CS03195	UNIVERSAL LEG CHANNEL	51
2.	4	CS03196	2 1/2" O.D. TO 9" O.D. CLAMP HALF	14
3.	2	CS03220	CHANNEL, PIVOT BRACKET	26
* 4.	8	C40032303	THREADED ROD ASSEMBLY, 5/8 ϕ X 1'-2	15
5.	4	C40026024	BOLT ASSEMBLY, 5/8 ϕ X 2 1/4 A325	2
6.	4	C40031003	5/8" HARDENED FLATWASHER ASTM F436	1
			TOTAL WEIGHT	109

* EACH THREADED ROD ASSEMBLY COMES WITH (3) NUTS, (3) LOCKWASHERS & (3) FLATWASHERS

SEE PAGE 2 FOR MOUNTING OPTIONS

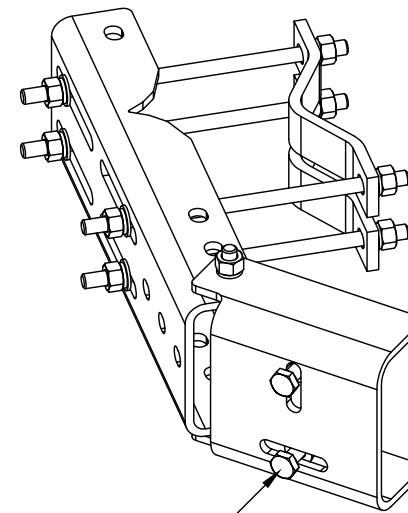


U-BOLTS MUST BE ORDERED SEPARATELY
 C40034023 FOR THE 2 3/8" O.D. PIPE (2 REQ'D.)
 C40034025 FOR THE 2 7/8" O.D. PIPE (2 REQ'D.)
 C40034028 FOR THE 3 1/2" O.D. PIPE (2 REQ'D.)



OPTION 1

SET-UP FOR FACE MOUNTED PIPE
 (U-BOLTS MUST BE ORDERED SEPARATELY)



BOLTS & FLATWASHERS MUST BE ORDERED SEPARATELY
 C40126270 5/8 X 2 A325 FULL THREAD BOLT ASSEMBLY (4 REQ'D.)
 C40031003 5/8 ϕ HARDENED FLATWASHER F436 (4 REQ'D.)

OPTION 2

SET-UP FOR FACE MOUNTED ANGLE
 (MOUNTING HARDWARE MUST BE ORDERED SEPARATELY)

THIS MOUNT FITS:

ROUNDS UP TO 8" O.D.
 60° ANGLES UP TO 8"
 90° ANGLES UP TO 6"

UNLESS OTHERWISE SPECIFIED
 ALL DIMENSIONS INCLUDE
 FINISHES AND ARE IN INCHES
 TOLERANCES: FRACTIONS $\pm 1/16"$
 ANGLES $\pm 1/2$ DEG.
 DECIMALS $\pm .010"$

MATERIAL:
 TOLERANCES DO NOT APPLY
 TO RAW MATERIAL



CONFIDENTIAL
 This document and the information
 contained herein is the confidential trade
 secret property of Sabre Communications
 Corporation ("Sabre") and must not be
 reproduced, copied or used, in whole or in
 part, for any purpose without the prior
 written consent of Sabre.
 © 2015 Sabre Communications Corporation.
 All rights reserved.

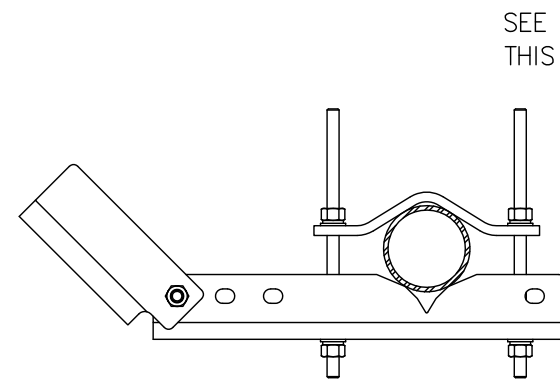
TOWER FACE MOUNTED
 MICROWAVE DISH STRUT SUPPORT BRACKET
 (2MSSBF3)

REV	DATE	DRW/CHK	DESCRIPTION

DATE	05/18/15	SIZE	B	DRAWING NO.	C10153425	REV	0
DRAWN BY	WRF	SCALE	None	PAGE	1 OF 2	CHECKED BY	KLE

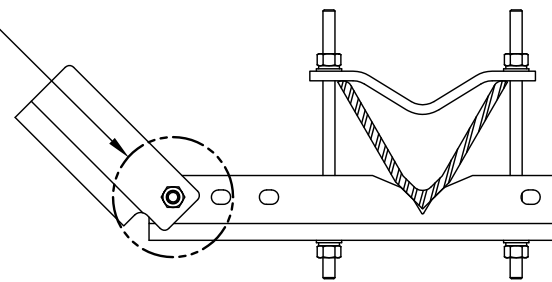


MOUNTING OPTIONS

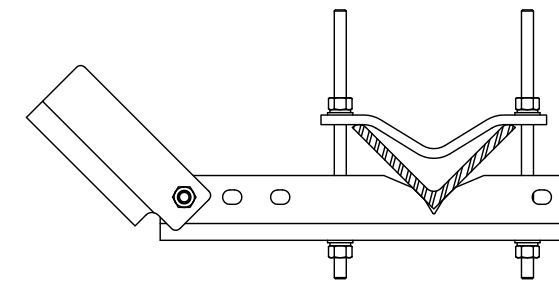


ROUND TOWER LEG

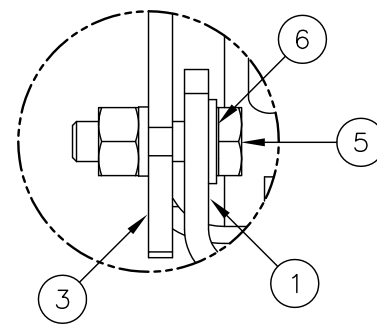
SEE BOLTING DETAIL
THIS PAGE (TYP)



60° ANGLE TOWER LEG



90° ANGLE TOWER LEG



BOLTING DETAIL

UNLESS OTHERWISE SPECIFIED
ALL DIMENSIONS INCLUDE
FINISHES AND ARE IN INCHES
TOLERANCES: FRACTIONS $\pm 1/16"$
ANGLES $\pm 1/2$ DEG.
DECIMALS $\pm .010"$

MATERIAL:

TOLERANCES DO NOT APPLY
TO RAW MATERIAL



CONFIDENTIAL
This document and the information
contained herein is the confidential trade
secret property of Sabre Communications
Corporation ("Sabre") and must not be
reproduced, copied or used, in whole or in
part, for any purpose without the prior
written consent of Sabre.
© 2015 Sabre Communications Corporation.
All rights reserved.

TOWER FACE MOUNTED
MICROWAVE DISH STRUT SUPPORT BRACKET
(2MSSBF3)

REV	DATE	DRW/CHK	DESCRIPTION

DATE	05/18/15	SIZE	DRAWING NO.	REV
DRAWN BY	WRF	B	C10153425	0
CHECKED BY	KLE	SCALE	PAGE	
		None	2 OF 2	