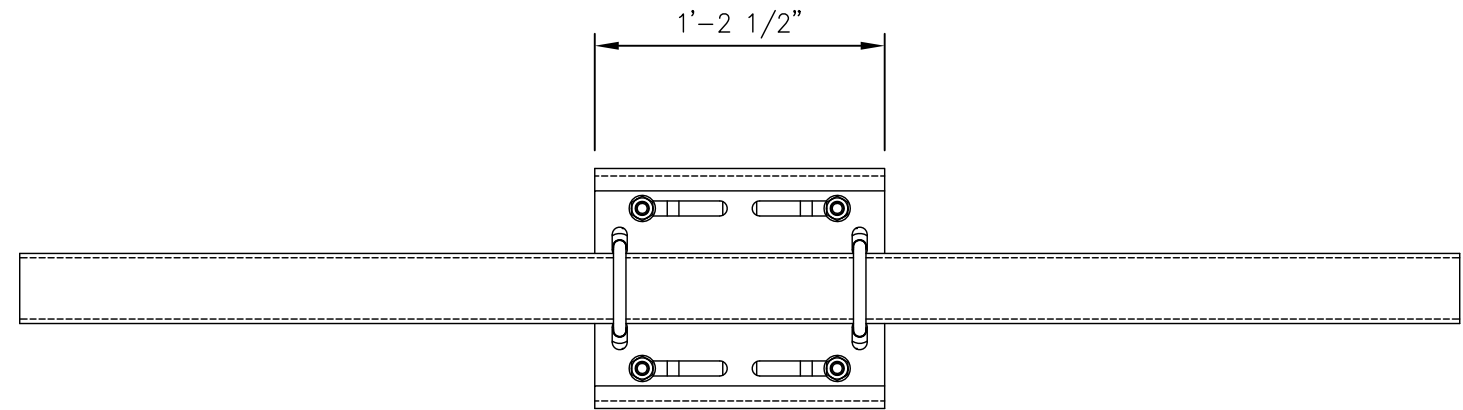
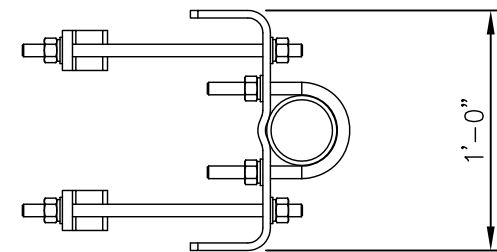
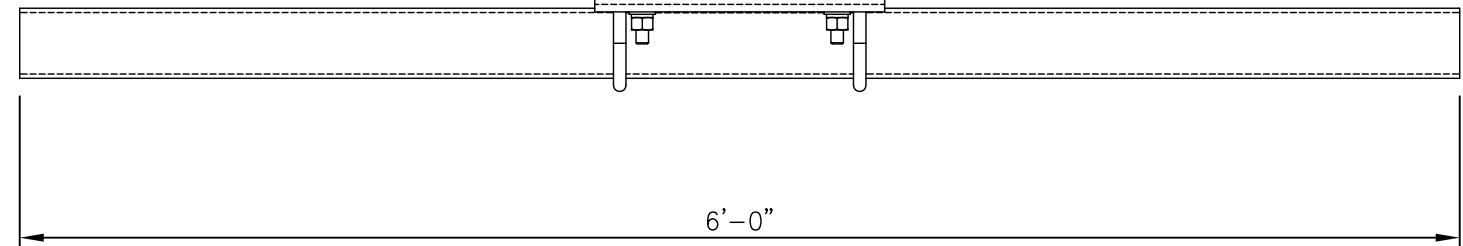
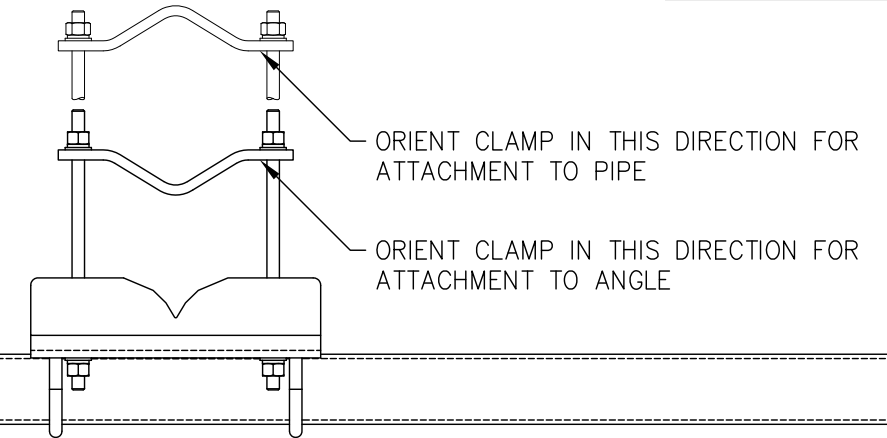
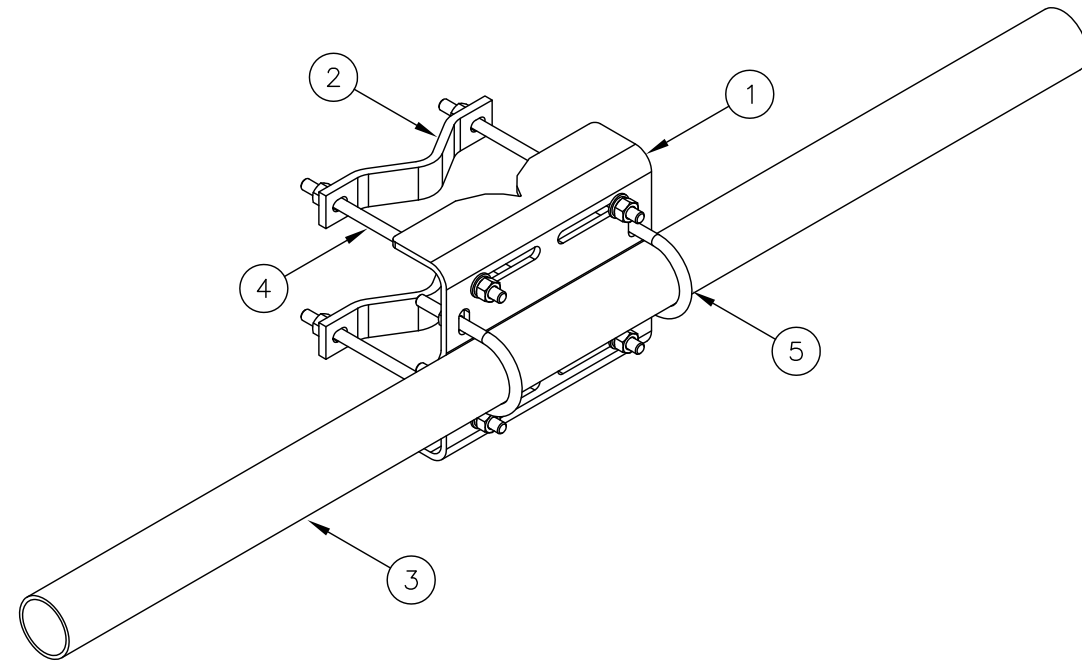




C10153419 (MSS-72) MICROWAVE DISH 6' STRUT SUPPORT

ITEM	QTY.	PART NO.	DESCRIPTION	WEIGHT
1.	1	CS03207	PLATE, MOUNTING CHANNEL	27
2.	2	CS03196	2 1/2" O.D. TO 9" O.D. CLAMP HALF	7
3.	1	CS03268	PIPE, 3 1/2 O.D. X .216 X 6'-0	47
4.	4	C40032024	THREADED ROD ASSEMBLY, 5/8 ϕ X 1'-2	6
5.	2	C40034028	U-BOLT ASSEMBLY, 5/8 ϕ X 4 3/16 C-C	4
TOTAL WEIGHT				91



THIS MOUNT FITS:
 ROUNDS UP TO 8" O.D.
 60° ANGLES UP TO 8"
 90° ANGLES UP TO 6"

UNLESS OTHERWISE SPECIFIED
 ALL DIMENSIONS INCLUDE
 FINISHES AND ARE IN INCHES
 TOLERANCES: FRACTIONS $\pm 1/16"$
 ANGLES $\pm 1/2$ DEG.
 DECIMALS $\pm .010"$

MATERIAL:
 TOLERANCES DO NOT APPLY
 TO RAW MATERIAL



TOWER LEG MOUNTED
 MICROWAVE DISH 6' STRUT SUPPORT
 (MSS-72)

REV	DATE	DRW/CHK	DESCRIPTION

CONFIDENTIAL
 This document and the information
 contained herein is the confidential trade
 secret property of Sabre Communications
 Corporation ("Sabre") and must not be
 reproduced, copied or used, in whole or in
 part, for any purpose without the prior
 written consent of Sabre.
 © 2015 Sabre Communications Corporation.
 All rights reserved.

DATE	03/24/15	SIZE B	DRAWING NO. C10153419	REV 0
DRAWN BY	WRF			SCALE None
CHECKED BY	KLE			