



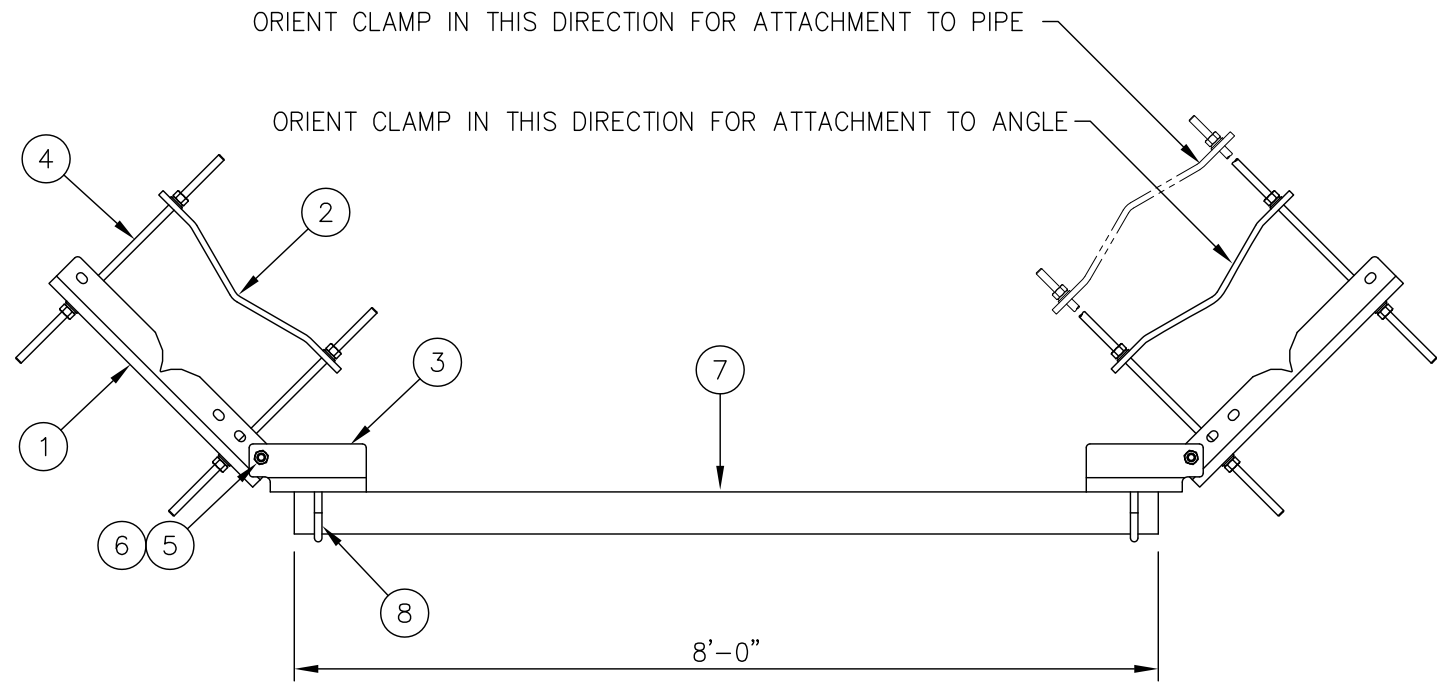
C10153417 (MCSSX-96) MICROWAVE DISH STRUT SUPPORT

(1)	C10153429 (2MSSBFX3) MICROWAVE DISH STRUT SUPPORT	134
(1)	---- MISC MATERIAL	67
TOTAL WEIGHT		201

C10153429 (2MSSBFX3) KIT LIST OF MATERIAL				
ITEM	QTY.	PART NO.	DESCRIPTION	WEIGHT
1.	2	CS03260	UNIVERSAL LEG CHANNEL	59
2.	4	CS03244	8" O.D. TO 16" O.D. CLAMP HALF	24
3.	2	CS03220	CHANNEL, PIVOT BRACKET	26
* 4.	8	C40032305	THREADED ROD ASSEMBLY, 5/8 ϕ X 2'-0	22
5.	4	C40026024	BOLT ASSEMBLY, 5/8 X 2 1/4 A325	2
6.	4	C40031003	5/8" HARDENED FLATWASHER ASTM F436	1
TOTAL WEIGHT				134

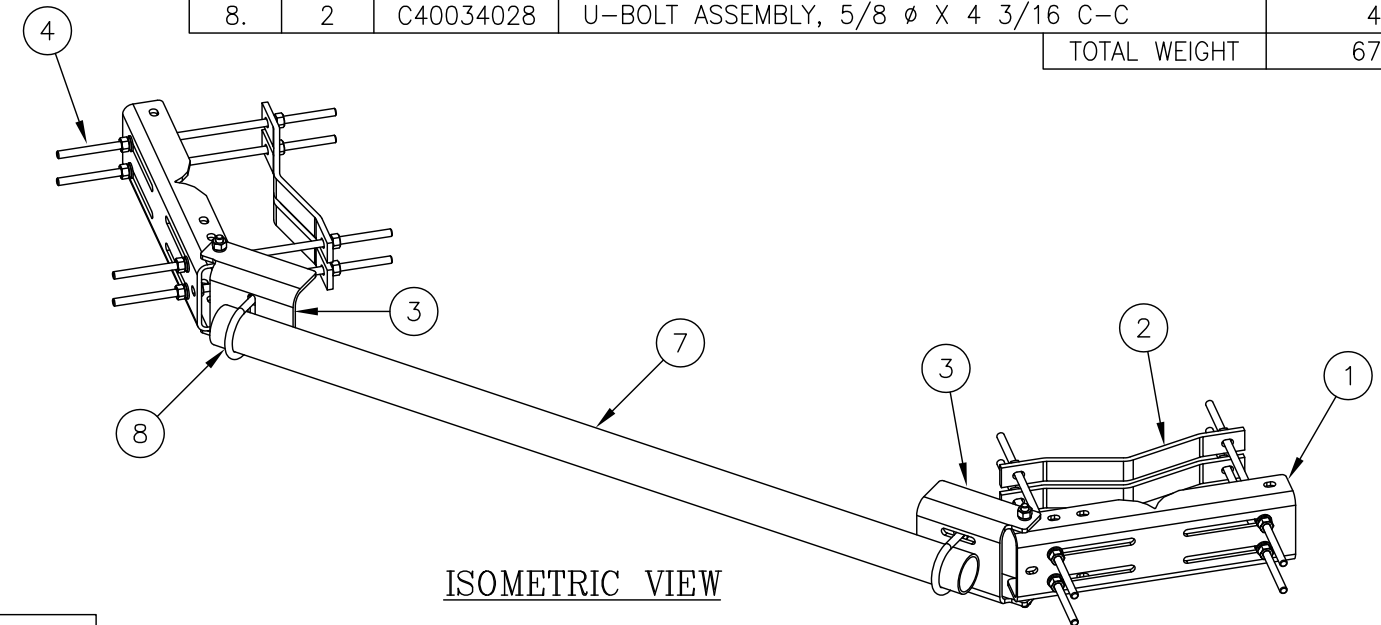
* EACH THREADED ROD ASSEMBLY COMES WITH (3) NUTS, (3) LOCKWASHERS & (3) FLATWASHERS

MISC MATERIAL				
ITEM	QTY.	PART NO.	DESCRIPTION	WEIGHT
7.	1	CS03269	PIPE, 3 1/2" O.D. X .216 X 8'-0	63
8.	2	C40034028	U-BOLT ASSEMBLY, 5/8 ϕ X 4 3/16 C-C	4
TOTAL WEIGHT				67



PLAN VIEW

ELEVATION VIEW



ISOMETRIC VIEW

SEE PAGE 2 FOR MOUNTING OPTIONS

UNLESS OTHERWISE SPECIFIED ALL DIMENSIONS INCLUDE FINISHES AND ARE IN INCHES		MATERIAL:	
TOLERANCES: FRACTIONS $\pm 1/16"$ ANGLES $\pm 1/2$ DEG. DECIMALS $\pm .010"$		TOLERANCES DO NOT APPLY TO RAW MATERIAL	
REV	DATE	DRW/CHK	DESCRIPTION



CONFIDENTIAL
This document and the information contained herein is the confidential trade secret property of Sabre Communications Corporation ("Sabre") and must not be reproduced, copied or used, in whole or in part, for any purpose without the prior written consent of Sabre.
© 2015 Sabre Communications Corporation. All rights reserved.

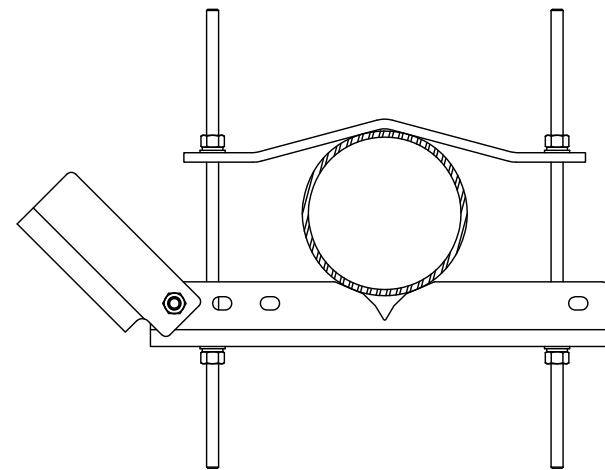
TOWER FACE MOUNTED
MICROWAVE DISH STRUT SUPPORT
(3 1/2" O.D. X 8'-0 PIPE)
(MCSSX-96)

DATE	06/23/15	SIZE	B	DRAWING NO.	C10153417	REV	0
DRAWN BY	WRF			SCALE	None	PAGE	
CHECKED BY	KLE					1 OF 2	

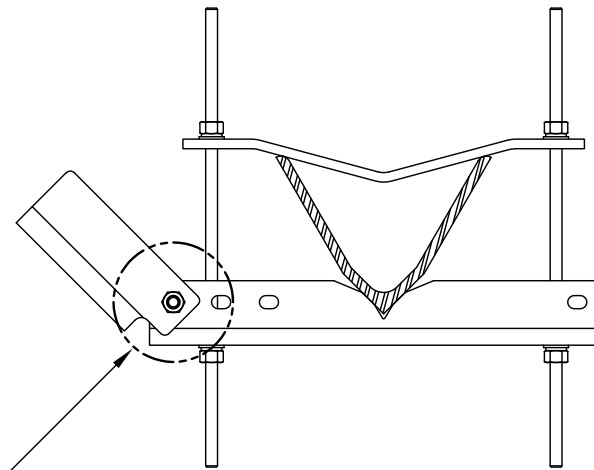
THIS MOUNT FITS:
ROUNDS 8" O.D. TO 16" O.D.
60° ANGLES 8" TO 16"
90° ANGLES 6" TO 12"



MOUNTING OPTIONS

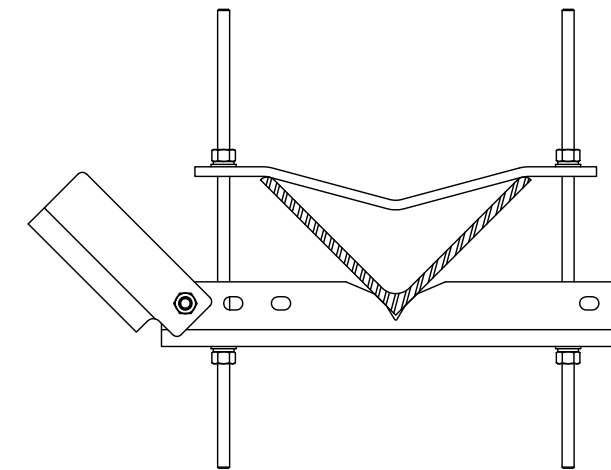


ROUND TOWER LEG

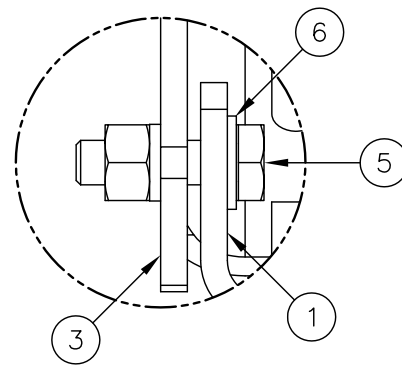


SEE BOLTING DETAIL
THIS PAGE (TYP)

60° ANGLE TOWER LEG



90° ANGLE TOWER LEG



BOLTING DETAIL

UNLESS OTHERWISE SPECIFIED
ALL DIMENSIONS INCLUDE
FINISHES AND ARE IN INCHES
TOLERANCES: FRACTIONS $\pm 1/16"$
ANGLES $\pm 1/2$ DEG.
DECIMALS $\pm .010"$

MATERIAL:

TOLERANCES DO NOT APPLY
TO RAW MATERIAL



TOWER FACE MOUNTED
MICROWAVE DISH STRUT SUPPORT
(3 1/2" O.D. X 8'-0 PIPE)
(MCSSX-96)

REV	DATE	DRW/CHK	DESCRIPTION

CONFIDENTIAL
This document and the information
contained herein is the confidential trade
secret property of Sabre Communications
Corporation ("Sabre") and must not be
reproduced, copied or used, in whole or in
part, for any purpose without the prior
written consent of Sabre.
© 2015 Sabre Communications Corporation.
All rights reserved.

DATE	06/23/15	SIZE	DRAWING NO.	REV
DRAWN BY	WRF	B	C10153417	0
CHECKED BY	KLE	SCALE	PAGE	
		None	2 OF 2	