



C10153416 (MCSSX-72) MICROWAVE DISH STRUT SUPPORT

(1)	C10153429	(2MSSBFX3) MICROWAVE DISH STRUT SUPPORT	134
(1)	---	MISC MATERIAL	51
TOTAL WEIGHT			185

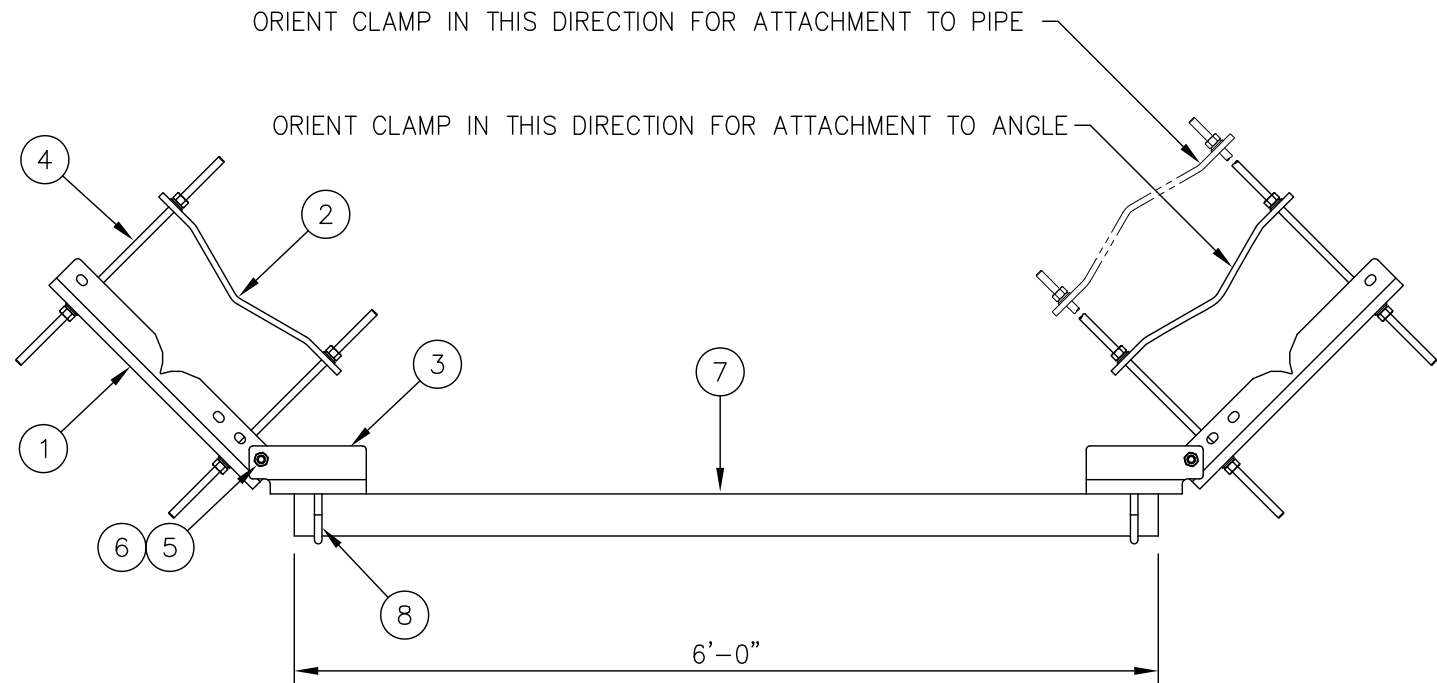
C10153429 (2MSSBFX3) KIT LIST OF MATERIAL

ITEM	QTY.	PART NO.	DESCRIPTION	WEIGHT
1.	2	CS03260	UNIVERSAL LEG CHANNEL	59
2.	4	CS03244	8" O.D. TO 16" O.D. CLAMP HALF	24
3.	2	CS03220	CHANNEL, PIVOT BRACKET	26
* 4.	8	C40032305	THREADED ROD ASSEMBLY, 5/8 $\phi$ X 2'-0	22
5.	4	C40026024	BOLT ASSEMBLY, 5/8 X 2 1/4 A325	2
6.	4	C40031003	5/8" HARDENED FLATWASHER ASTM F436	1
TOTAL WEIGHT				134

\* EACH THREADED ROD ASSEMBLY COMES WITH (3) NUTS, (3) LOCKWASHERS & (3) FLATWASHERS

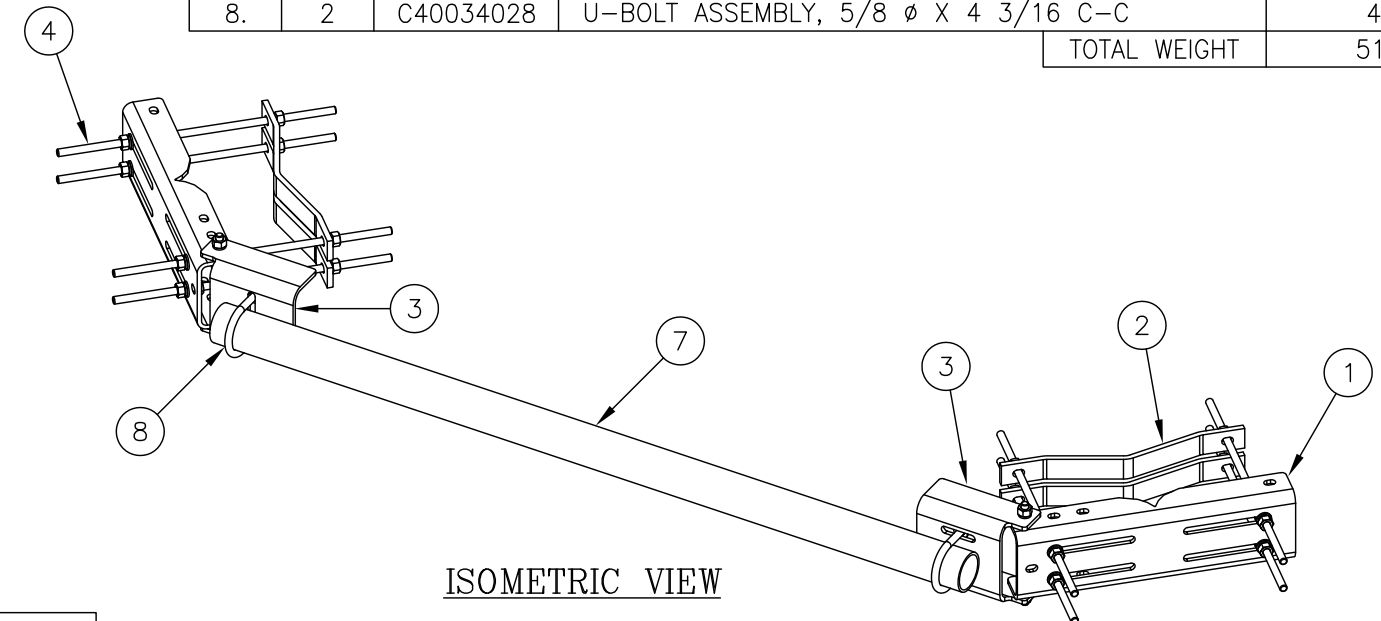
MISC MATERIAL

ITEM	QTY.	PART NO.	DESCRIPTION	WEIGHT
7.	1	CS03268	PIPE, 3 1/2" O.D. X .216 X 6'-0	47
8.	2	C40034028	U-BOLT ASSEMBLY, 5/8 $\phi$ X 4 3/16 C-C	4
TOTAL WEIGHT				51



PLAN VIEW

ELEVATION VIEW



ISOMETRIC VIEW

SEE PAGE 2 FOR MOUNTING OPTIONS

UNLESS OTHERWISE SPECIFIED ALL DIMENSIONS INCLUDE FINISHES AND ARE IN INCHES  
 TOLERANCES: FRACTIONS  $\pm 1/16"$   
 ANGLES  $\pm 1/2$  DEG.  
 DECIMALS  $\pm .010"$

MATERIAL:  
 TOLERANCES DO NOT APPLY TO RAW MATERIAL



TOWER FACE MOUNTED  
 MICROWAVE DISH STRUT SUPPORT  
 (3 1/2" O.D. X 6'-0 PIPE)  
 (MCSSX-72)

REV	DATE	DRW/CHK	DESCRIPTION

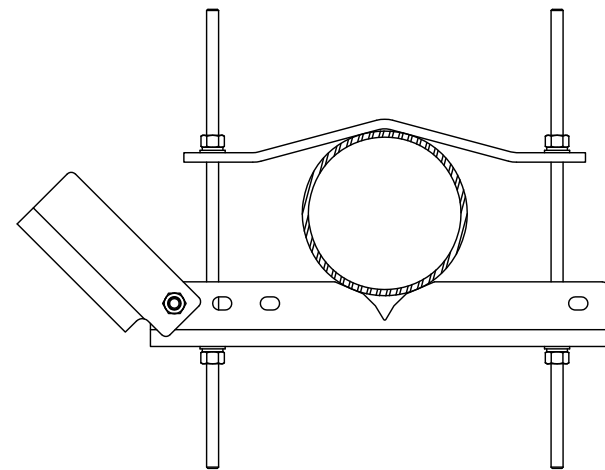
**CONFIDENTIAL**  
 This document and the information contained herein is the confidential trade secret property of Sabre Communications Corporation ("Sabre") and must not be reproduced, copied or used, in whole or in part, for any purpose without the prior written consent of Sabre.  
 © 2015 Sabre Communications Corporation. All rights reserved.

DATE	06/23/15	SIZE	B	DRAWING NO.	C10153416	REV	0
DRAWN BY	WRF	CHECKED BY	KLE	SCALE	None	PAGE	1 OF 2

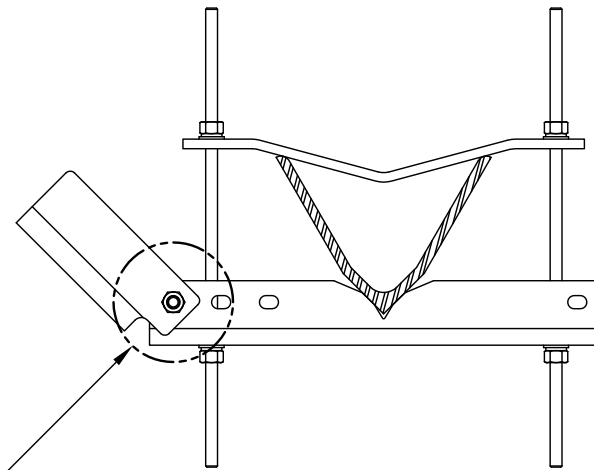
**THIS MOUNT FITS:**  
 ROUNDS 8" O.D. TO 16" O.D.  
 60° ANGLES 8" TO 16"  
 90° ANGLES 6" TO 12"



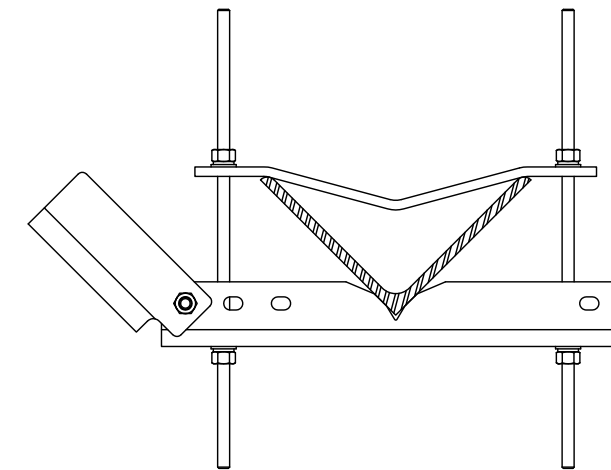
## MOUNTING OPTIONS



ROUND TOWER LEG

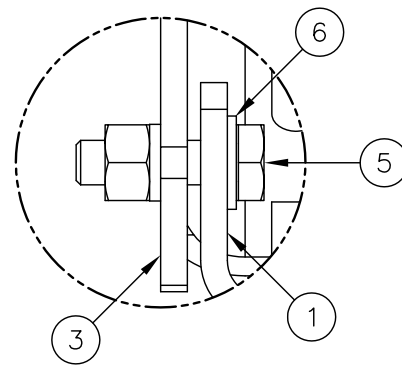


60° ANGLE TOWER LEG



90° ANGLE TOWER LEG

SEE BOLTING DETAIL  
THIS PAGE (TYP)



BOLTING DETAIL

UNLESS OTHERWISE SPECIFIED  
ALL DIMENSIONS INCLUDE  
FINISHES AND ARE IN INCHES  
TOLERANCES: FRACTIONS  $\pm 1/16"$   
ANGLES  $\pm 1/2$  DEG.  
DECIMALS  $\pm .010"$

MATERIAL:  
  
TOLERANCES DO NOT APPLY  
TO RAW MATERIAL



**CONFIDENTIAL**  
This document and the information  
contained herein is the confidential trade  
secret property of Sabre Communications  
Corporation ("Sabre") and must not be  
reproduced, copied or used, in whole or in  
part, for any purpose without the prior  
written consent of Sabre.  
© 2015 Sabre Communications Corporation.  
All rights reserved.

TOWER FACE MOUNTED  
MICROWAVE DISH STRUT SUPPORT  
(3 1/2" O.D. X 6'-0 PIPE)  
(MCSSX-72)

REV	DATE	DRW/CHK	DESCRIPTION

DATE	06/23/15	SIZE	DRAWING NO.	REV
DRAWN BY	WRF	B	C10153416	0
CHECKED BY	KLE	SCALE	PAGE	
		None	2 OF 2	