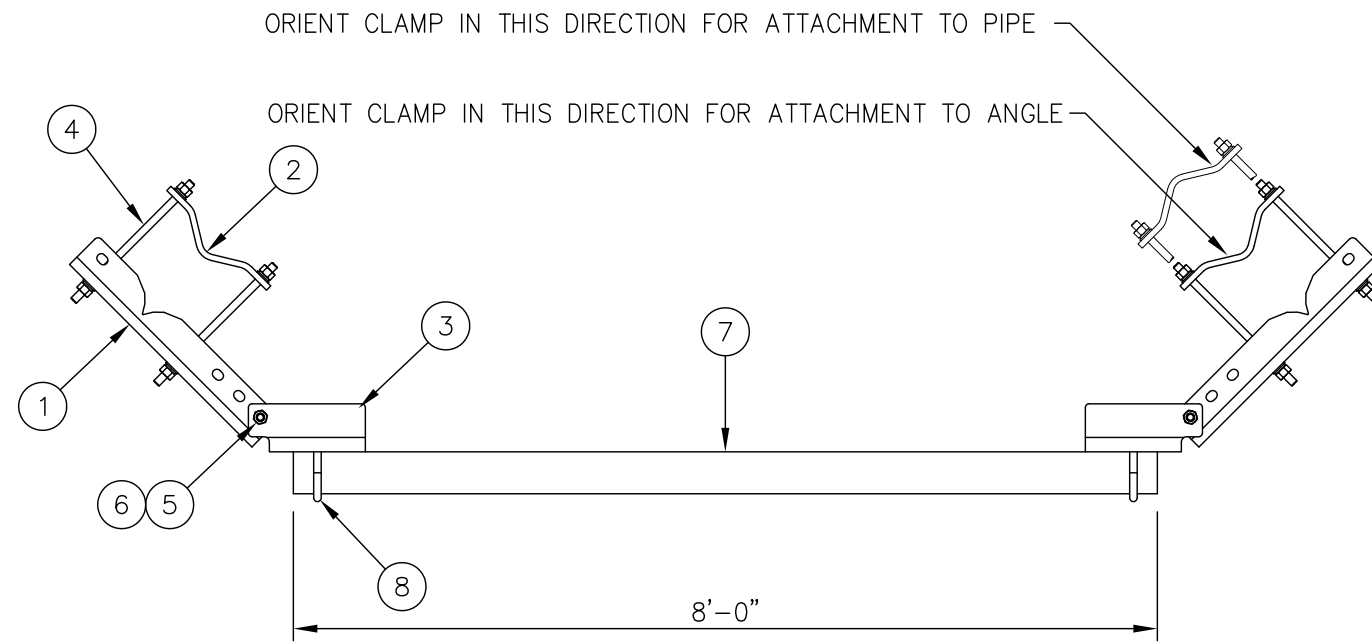




C10153414 (MCSS-96) MICROWAVE DISH STRUT SUPPORT

(1)	C10153425	(2MSSBF3) MICROWAVE DISH STRUT SUPPORT	111
(1)	---	MISC MATERIAL	67
TOTAL WEIGHT			178



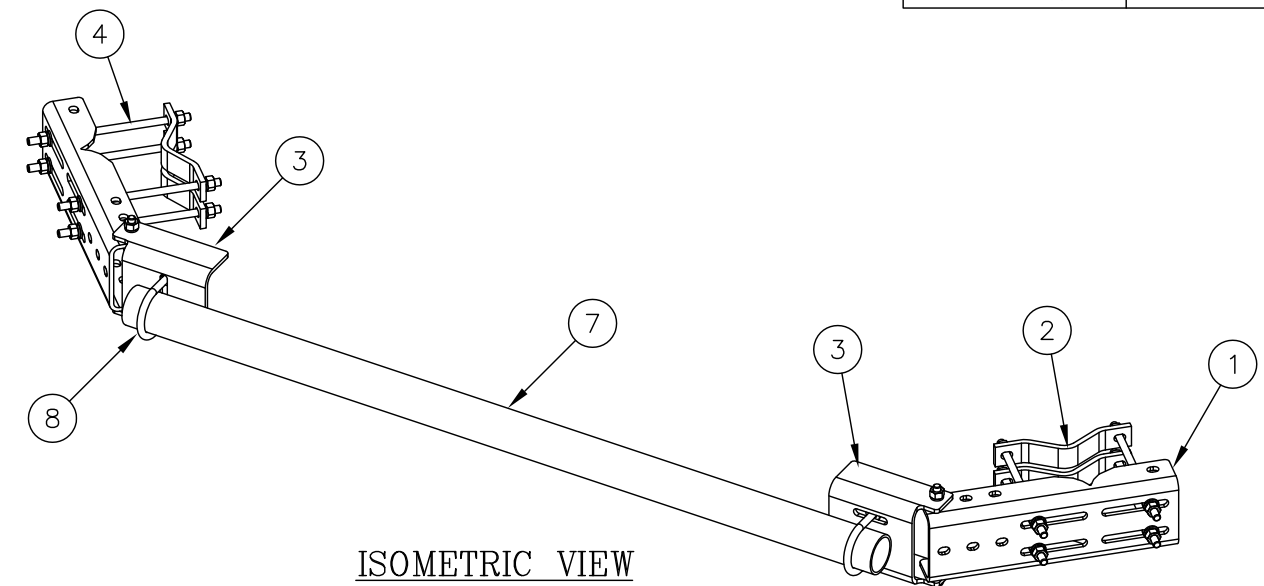
PLAN VIEW

ELEVATION VIEW

C10153425 (2MSSBF3) KIT LIST OF MATERIAL				
ITEM	QTY.	PART NO.	DESCRIPTION	WEIGHT
1.	2	CS03195	UNIVERSAL LEG CONNECTION	53
2.	4	CS03196	2 1/2" O.D. TO 9" O.D. CLAMP HALF	14
3.	2	CS03220	CHANNEL, PIVOT BRACKET	26
* 4.	8	C40032303	THREADED ROD ASSEMBLY, 5/8 $\phi$ X 1'-2	15
5.	4	C40026024	BOLT ASSEMBLY, 5/8 X 2 1/4 A325	2
6.	4	C40031003	5/8" HARDENED FLATWASHER ASTM F436	1
TOTAL WEIGHT				111

\* EACH THREADED ROD ASSEMBLY COMES WITH (3) NUTS, (3) LOCKWASHERS & (3) FLATWASHERS

MISC MATERIAL				
ITEM	QTY.	PART NO.	DESCRIPTION	WEIGHT
7.	1	CS03269	PIPE, 3 1/2" O.D. X .216 X 8'-0	63
8.	2	C40034028	U-BOLT ASSEMBLY, 5/8 $\phi$ X 4 3/16 C-C	4
TOTAL WEIGHT				67



ISOMETRIC VIEW

SEE PAGE 2 FOR MOUNTING OPTIONS

UNLESS OTHERWISE SPECIFIED ALL DIMENSIONS INCLUDE FINISHES AND ARE IN INCHES			MATERIAL:	
TOLERANCES: FRACTIONS $\pm 1/16"$ ANGLES $\pm 1/2$ DEG. DECIMALS $\pm .010"$			TOLERANCES DO NOT APPLY TO RAW MATERIAL	
REV	DATE	DRWCHK	DESCRIPTION	



**CONFIDENTIAL**  
This document and the information contained herein is the confidential trade secret property of Sabre Communications Corporation ("Sabre") and must not be reproduced, copied or used, in whole or in part, for any purpose without the prior written consent of Sabre.  
© 2015 Sabre Communications Corporation. All rights reserved.

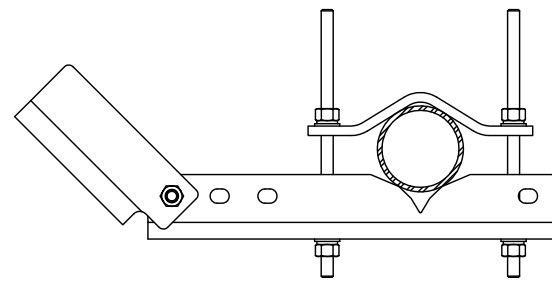
TOWER FACE MOUNTED  
MICROWAVE DISH STRUT SUPPORT  
(3 1/2" O.D. X 8'-0 PIPE)  
(MCSS-96)

DATE	05/13/15	SIZE	B	DRAWING NO.	C10153414	REV	0
DRAWN BY	WRF	SCALE		PAGE		None	
CHECKED BY	KLE	None		1 OF 2			

**THIS MOUNT FITS:**  
 ROUNDS UP TO 8" O.D.  
 60° ANGLES UP TO 8"  
 90° ANGLES UP TO 6"

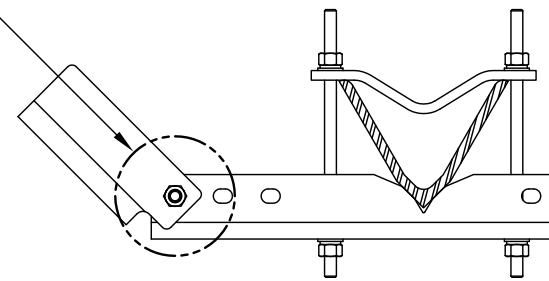


## MOUNTING OPTIONS

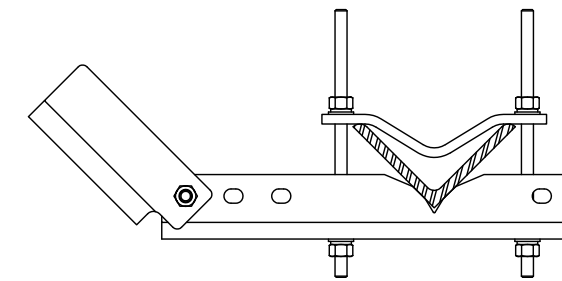


ROUND TOWER LEG

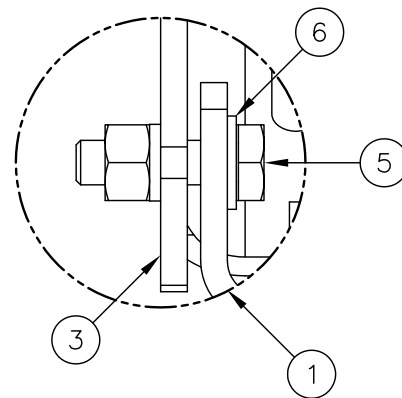
SEE BOLTING DETAIL  
THIS PAGE (TYP)



60° ANGLE TOWER LEG



90° ANGLE TOWER LEG



BOLTING DETAIL

UNLESS OTHERWISE SPECIFIED  
ALL DIMENSIONS INCLUDE  
FINISHES AND ARE IN INCHES  
TOLERANCES: FRACTIONS  $\pm 1/16"$   
ANGLES  $\pm 1/2$  DEG.  
DECIMALS  $\pm .010"$

MATERIAL:  
  
TOLERANCES DO NOT APPLY  
TO RAW MATERIAL



**CONFIDENTIAL**  
This document and the information  
contained herein is the confidential trade  
secret property of Sabre Communications  
Corporation ("Sabre") and must not be  
reproduced, copied or used, in whole or in  
part, for any purpose without the prior  
written consent of Sabre.  
© 2015 Sabre Communications Corporation.  
All rights reserved.

TOWER FACE MOUNTED  
MICROWAVE DISH STRUT SUPPORT  
(3 1/2" O.D. X 8'-0 PIPE)  
(MCSS-96)

REV	DATE	DRW/CHK	DESCRIPTION

DATE	05/13/15	SIZE	DRAWING NO.	REV
DRAWN BY	WRF	B	C10153414	0
CHECKED BY	KLE		SCALE	PAGE
			None	2 OF 2