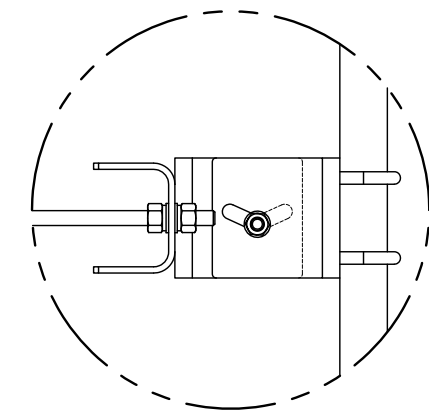
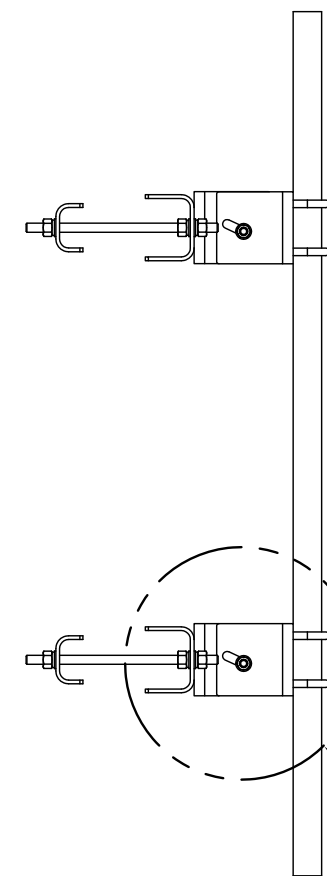
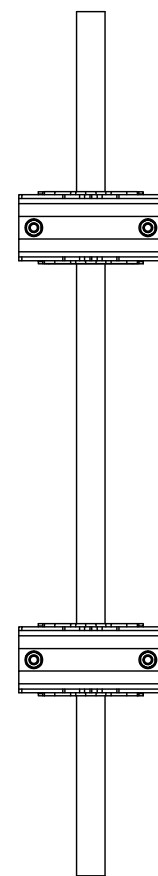
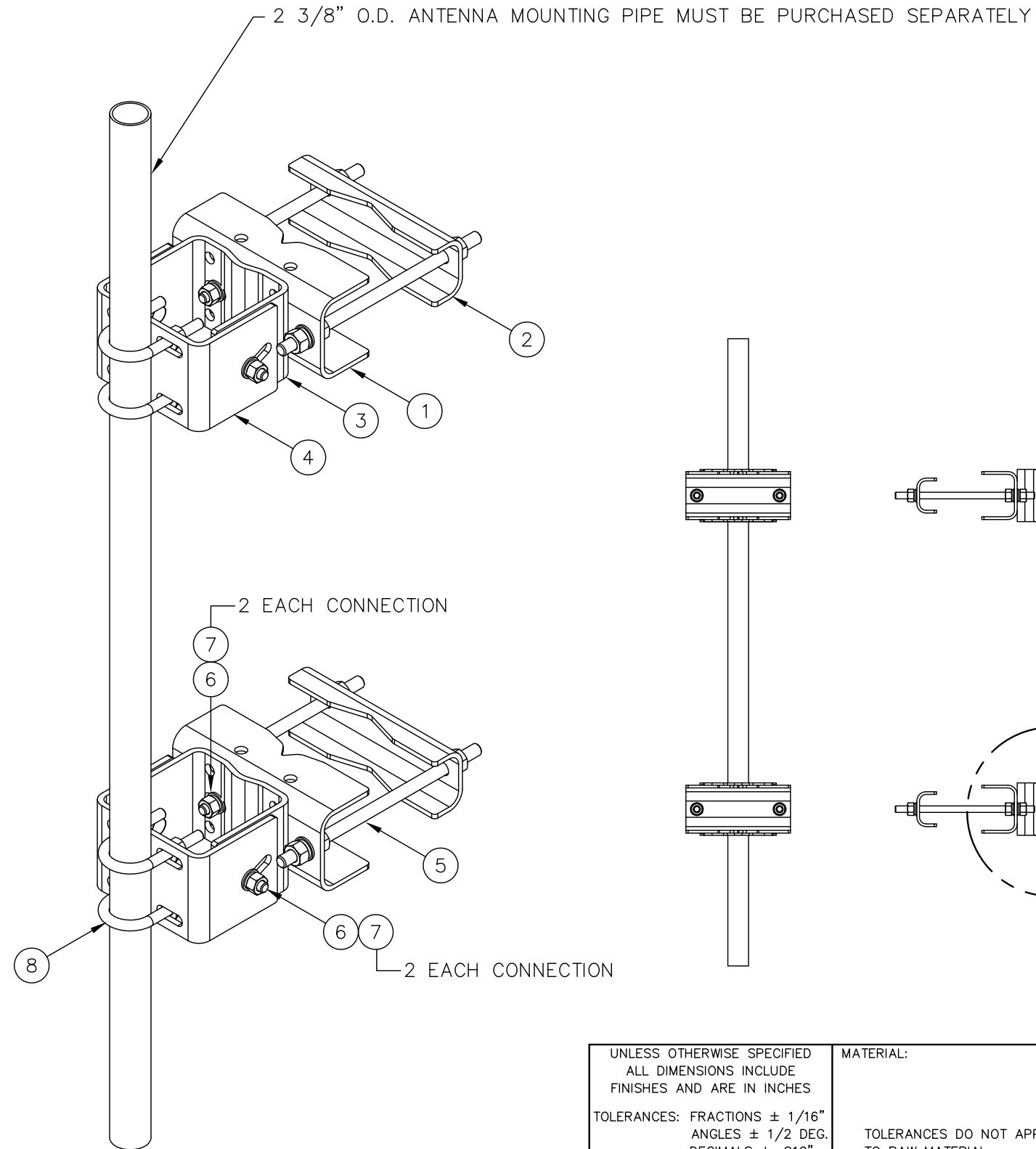




C10153403 (PM02-NP) UNIVERSAL OPEN PIPE MOUNT

ITEM	QTY.	PART NO.	DESCRIPTION	WEIGHT
1.	2	CS03204	MOUNT CHANNEL (FORMED)	25
2.	2	CS03199	CLAMP CHANNEL (FORMED)	26
3.	2	CS03205	INNER CHANNEL (FORMED)	24
4.	2	CS03206	OUTER CHANNEL (FORMED)	25
* 5.	4	C40032302	THREADED ROD ASSEMBLY, 3/4 $\phi$ X 1'-4	10
6.	8	C40026024	BOLT ASSEMBLY, 5/8 $\phi$ X 2 1/4 A325	4
7.	16	C40031003	WASHER, 5/8 $\phi$ FLAT HARDENED ASTM F436	1
8.	4	C40034023	U-BOLT ASSEMBLY, 5/8 $\phi$ X 3 1/16 C-C	7
TOTAL WEIGHT				122

\* EACH THREADED ROD ASSEMBLY COMES WITH (3) NUTS, (3) LOCKWASHERS & (3) FLATWASHERS



SLOT ORIENTATION DETAIL  
TYPICAL UPPER & LOWER BRACKETS

SEE SLOT ORIENTATION DETAIL

**THIS MOUNT FITS:**  
 ROUNDS UP TO 8" O.D.  
 60° ANGLES UP TO 8"  
 90° ANGLES UP TO 6"

UNLESS OTHERWISE SPECIFIED  
 ALL DIMENSIONS INCLUDE  
 FINISHES AND ARE IN INCHES  
 TOLERANCES: FRACTIONS  $\pm 1/16"$   
 ANGLES  $\pm 1/2$  DEG.  
 DECIMALS  $\pm .010"$

MATERIAL:  
 TOLERANCES DO NOT APPLY  
 TO RAW MATERIAL



UNIVERSAL OPEN PIPE MOUNT  
 (NO ANTENNA MOUNTING PIPES)  
 (PM02-NP)

REV	DATE	DRW/CHK	DESCRIPTION

**CONFIDENTIAL**  
 This document and the information contained herein is the confidential trade secret property of Sabre Communications Corporation ("Sabre") and must not be reproduced, copied or used, in whole or in part, for any purpose without the prior written consent of Sabre.  
 © 2015 Sabre Communications Corporation. All rights reserved.

DATE	05/09/15	SIZE	B	DRAWING NO.	C10153403	REV	0
DRAWN BY	WRF	CHECKED BY	KLE	SCALE	None	PAGE	1 OF 1