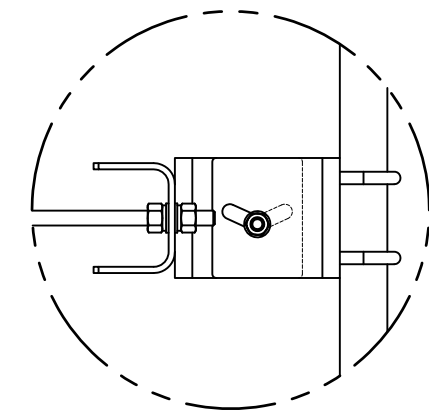
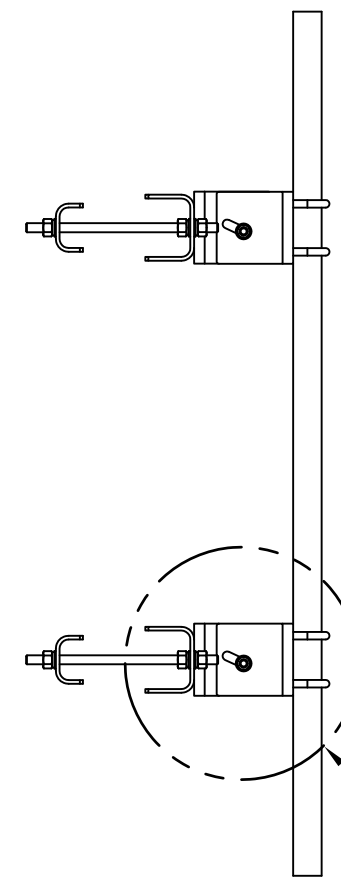
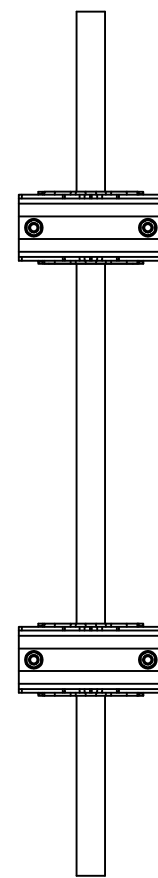
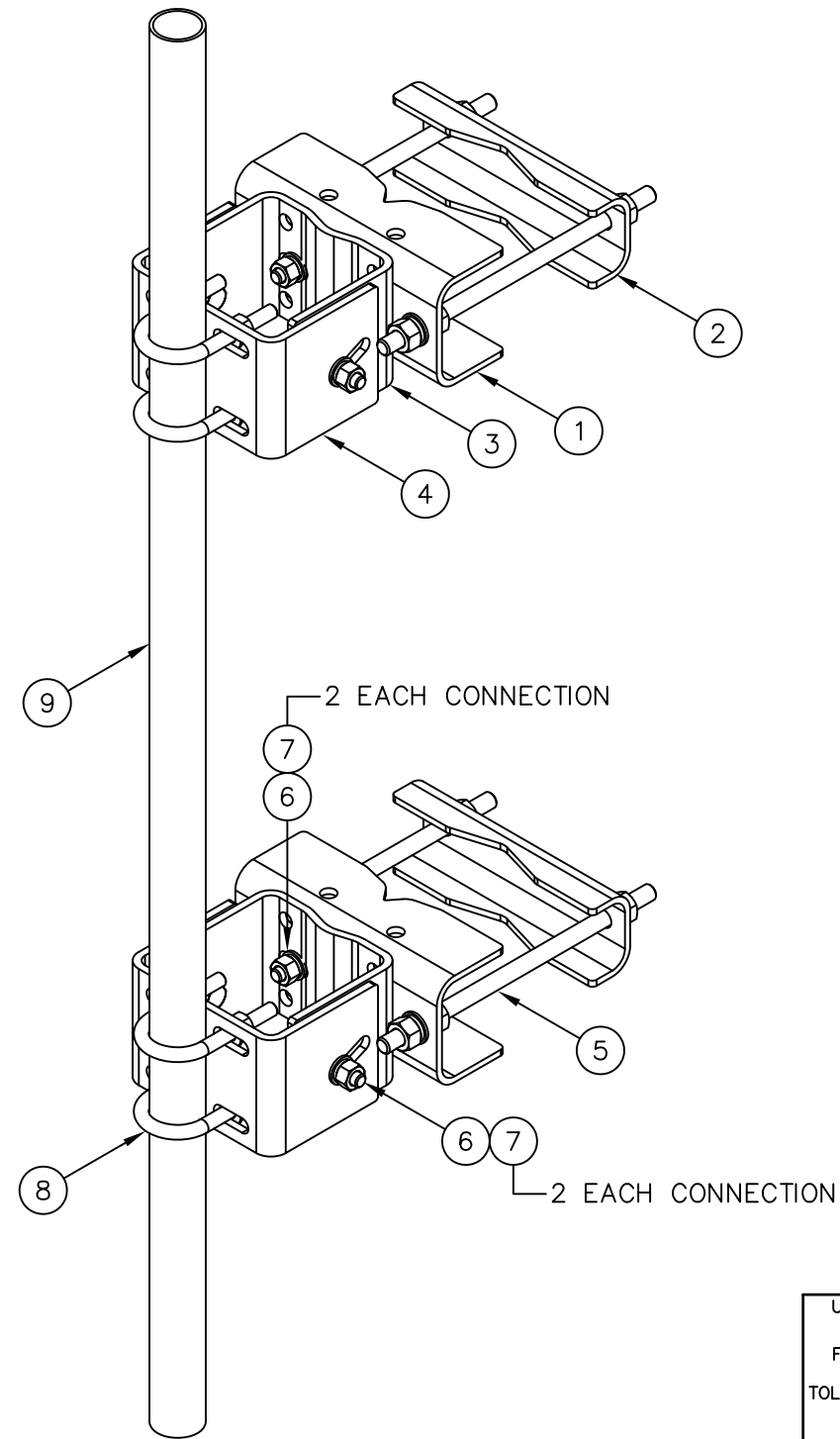




C10153401 (PM02-72) UNIVERSAL OPEN PIPE MOUNT

ITEM	QTY.	PART NO.	DESCRIPTION	WEIGHT
1.	2	CS03204	MOUNT CHANNEL (FORMED)	25
2.	2	CS03199	CLAMP CHANNEL (FORMED)	26
3.	2	CS03205	INNER CHANNEL (FORMED)	24
4.	2	CS03206	OUTER CHANNEL (FORMED)	25
* 5.	4	C40032302	THREADED ROD ASSEMBLY, 3/4 ϕ X 1'-4	10
6.	8	C40026024	BOLT ASSEMBLY, 5/8 ϕ X 2 1/4 A325	4
7.	16	C40031003	WASHER, 5/8 ϕ FLAT HARDENED ASTM F436	1
8.	4	C40034023	U-BOLT ASSEMBLY, 5/8 ϕ X 3 1/16 C-C	7
9.	1	C10901206	PIPE, 2 3/8" O.D. X .154 X 6'-0	23
TOTAL WEIGHT				145

* EACH THREADED ROD ASSEMBLY COMES WITH (3) NUTS, (3) LOCKWASHERS & (3) FLATWASHERS



SLOT ORIENTATION DETAIL
TYPICAL UPPER & LOWER BRACKETS

SEE SLOT ORIENTATION DETAIL

THIS MOUNT FITS:
 ROUNDS UP TO 8" O.D.
 60° ANGLES UP TO 8"
 90° ANGLES UP TO 6"

UNLESS OTHERWISE SPECIFIED
 ALL DIMENSIONS INCLUDE
 FINISHES AND ARE IN INCHES
 TOLERANCES: FRACTIONS $\pm 1/16"$
 ANGLES $\pm 1/2$ DEG.
 DECIMALS $\pm .010"$

MATERIAL:
 TOLERANCES DO NOT APPLY
 TO RAW MATERIAL



UNIVERSAL OPEN PIPE MOUNT
 (2 3/8" O.D. ANTENNA MOUNTING PIPE)
 (PM02-72)

REV	DATE	DRW/CHK	DESCRIPTION

CONFIDENTIAL
 This document and the information
 contained herein is the confidential trade
 secret property of Sabre Communications
 Corporation ("Sabre") and must not be
 reproduced, copied or used, in whole or in
 part, for any purpose without the prior
 written consent of Sabre.
 © 2015 Sabre Communications Corporation.
 All rights reserved.

DATE	05/09/15	SIZE	B	DRAWING NO.	C10153401	REV	0
DRAWN BY	WRF	SCALE	None	PAGE	1	OF	1
CHECKED BY	KLE						