

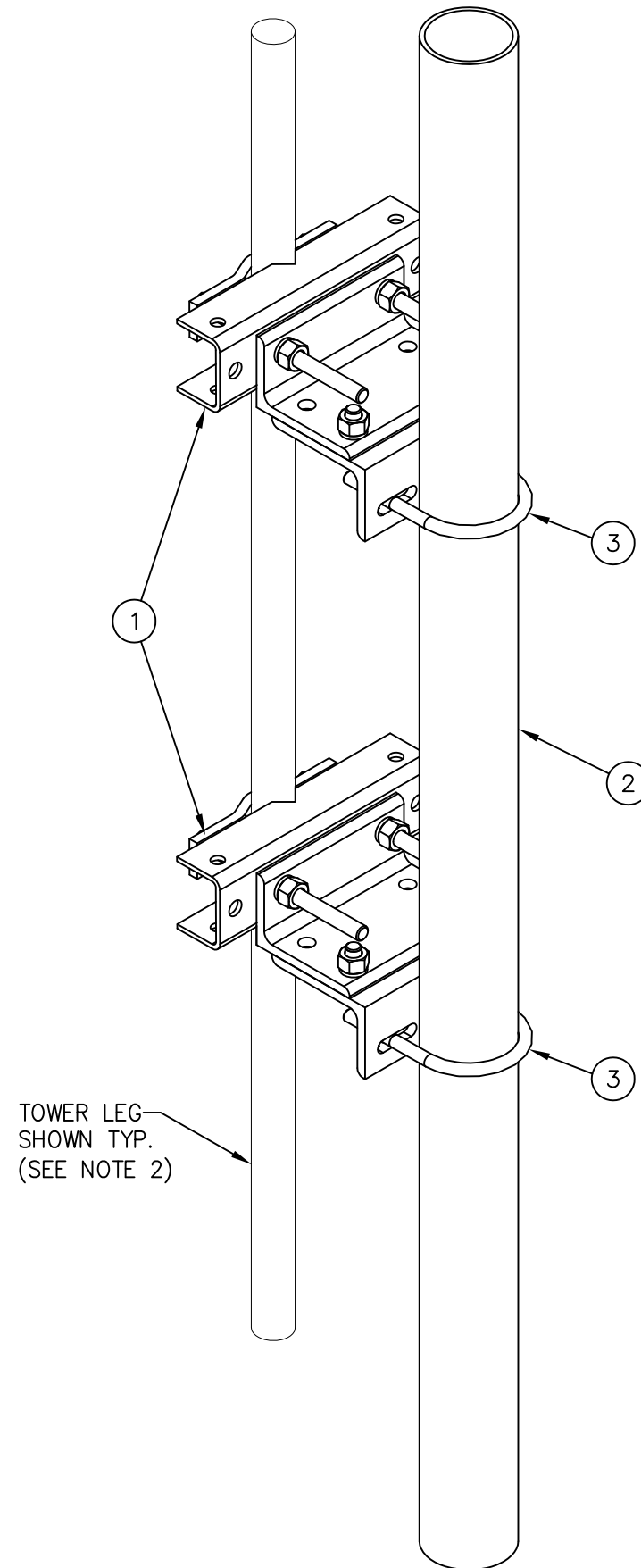


C10153202 ANTENNA PIPE MOUNTING KIT

ITEM	QTY.	PART NO.	DESCRIPTION	WEIGHT
1.	1	C10172101	ANTENNA PIPE MOUNTING KIT	83#
2.	1	C10981407	PIPE, 4 1/2" O.D. (.180" WALL) X 7'-0"	58#
3.	2	C40034032	U-BOLT ASSEMBLY, 5/8 X 5 3/16 C-C	4#
			TOTAL WEIGHT	145#

NOTES:

1. QUANTITIES SHOWN IN THE LIST OF MATERIAL ARE FOR ONE ANTENNA PIPE MOUNTING KIT ONLY.
2. THIS ANTENNA PIPE MOUNTING KIT WILL MOUNT TO THE FOLLOWING TOWER LEG SIZES:
 - 1 1/2"Ø TO 5 9/16"Ø ROUND LEG
 - L 2 1/2 X 2 1/2 TO L 4 X 4 ANGLE LEG



TOWER LEG SHOWN TYP. (SEE NOTE 2)

ISOMETRIC VIEW

(STRAIGHT TOWER LEG CONFIGURATION SHOWN)

UNLESS OTHERWISE SPECIFIED ALL DIMENSIONS INCLUDE FINISHES AND ARE IN INCHES		MATERIAL:				ANTENNA PIPE MOUNTING KIT FOR DISH MOUNT AND T-BOOM MOUNT (1 1/2"Ø TO 5 9/16"Ø ROUND LEG) (2 1/2" X 2 1/2" TO 4" X 4" ANGLE LEG)				
TOLERANCES: FRACTIONS ± 1/16" ANGLES ± 1/2 DEG. DECIMALS ± .010"		TOLERANCES DO NOT APPLY TO RAW MATERIAL								
				CONFIDENTIAL Information contained herein is the sole property of Sabre Communications Corporation, constitutes a trade secret as defined by Iowa Code Ch. 550 and shall not be reproduced, copied or used in whole or in part for any purpose whatsoever without prior written consent of Sabre Communications Corporation.		DATE	6/15/07	SIZE	DRAWING NO.	REV
						DRAWN BY	MLC	B	C10153202	1
						CHECKED BY	MC			
								None	1 OF 1	
1	1/13/09	MLC	MC			REVISED PIPE (ITEM 3)				
REV	DATE	DRW	CHK	DESCRIPTION						