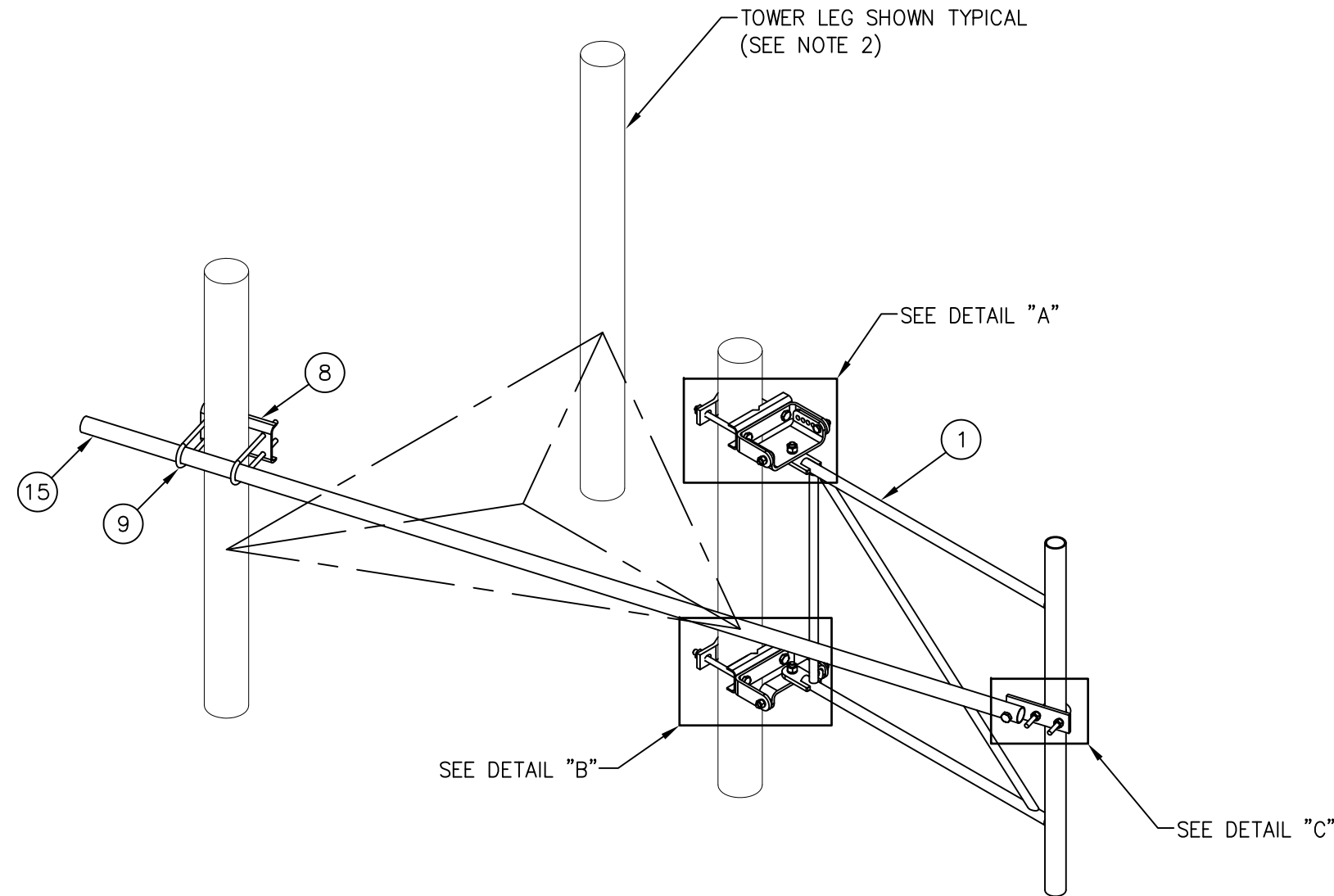




C10151904 4' SIDEARM W/TIEBACK

(1)	CK00117	4' SIDEARM KIT	108
(1)		MISCELLANEOUS MATERIAL	23
		TOTAL WEIGHT	131



CK00117 4' SIDEARM KIT				
ITEM	QTY.	PART NO.	DESCRIPTION	WEIGHT
1.	1	CW00870	WELDMENT, 4' SIDEARM	62
2.	2	CS02155	CHANNEL, LEG MOUNTING	5
3.	1	CS02156	PLATE, AZIMUTH ADJUSTMENT SIDEARM	6
4.	2	CS02157	PLATE, SIDEARM PIVOT	8
5.	1	CS02158	PLATE, SIDEARM PIVOT	3
6.	1	CS02159	FLAT, TIEBACK	2
7.	2	CS00144	2 HOLE PIPE ADAPTER CLAMP (1 1/2" TO 5" O.D.)	5
8.	1	CS01909	PLATE, TIEBACK SUPPORT	4
9.	2	C40034081	U-BOLT ASSEMBLY, 1/2 ϕ X 2 9/16 C-C	3
10.	1	C40034014	U-BOLT ASSEMBLY, 1/2 ϕ X 2 15/16 C-C	1
11.	4	C40140004	BOLT ASSEMBLY, 5/8 X 8 A307 (FULL THREAD)	6
12.	1	C40026029	BOLT ASSEMBLY, 5/8 X 3 1/2 A325	1
13.	2	C40026023	BOLT ASSEMBLY, 5/8 X 2 A325	1
14.	4	C40026004	BOLT ASSEMBLY, 1/2 X 1 3/4 A325	1
			TOTAL WEIGHT	98

MISCELLANEOUS MATERIAL				
ITEM	QTY.	PART NO.	DESCRIPTION	WEIGHT
15.	1	CS01910	PIPE, TIEBACK	23
			TOTAL WEIGHT	23

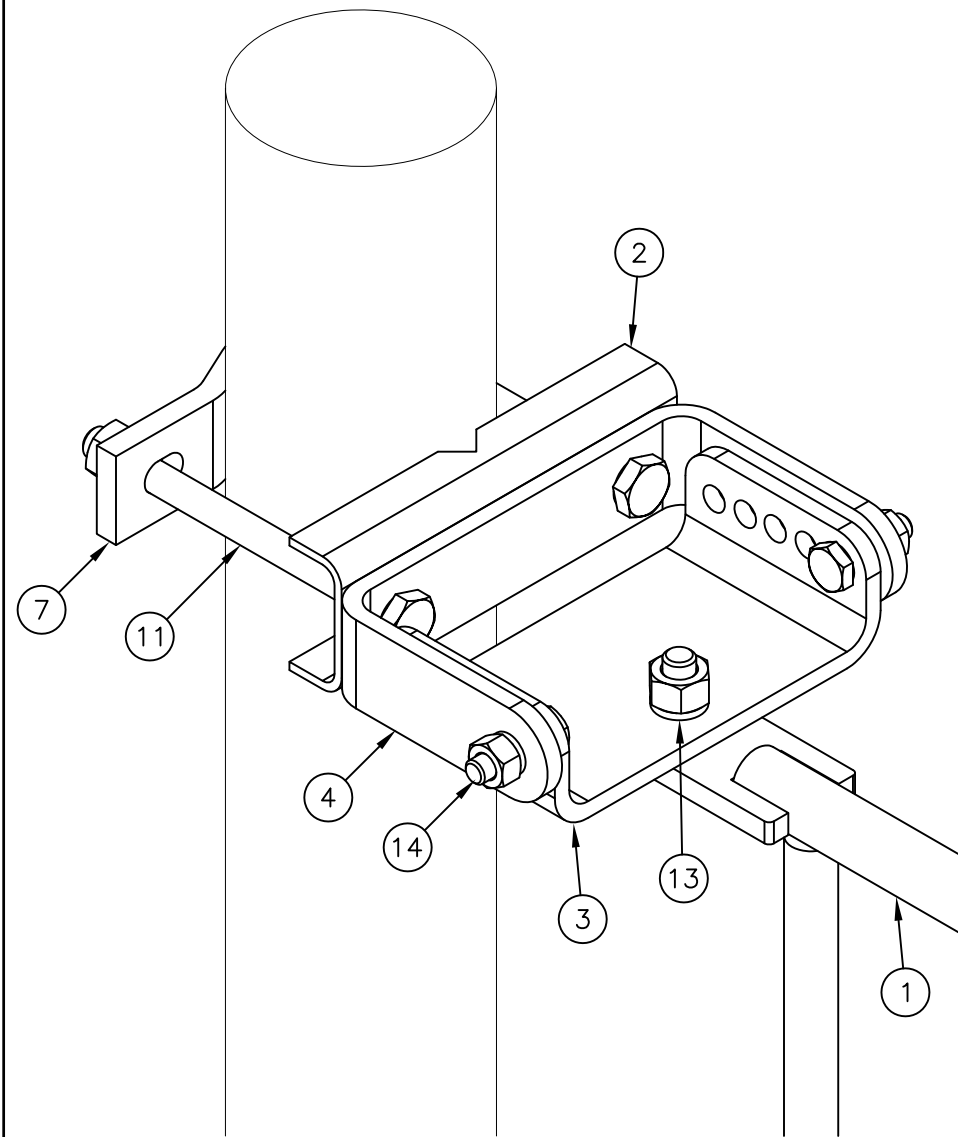
NOTES:

1. QUANTITIES SHOWN IN LISTS OF MATERIAL ARE FOR ONE (1) SIDEARM ONLY.
2. THIS SIDEARM WILL MOUNT TO THE FOLLOWING:
- 1 1/2" ϕ TO 5" ϕ ROUND LEG

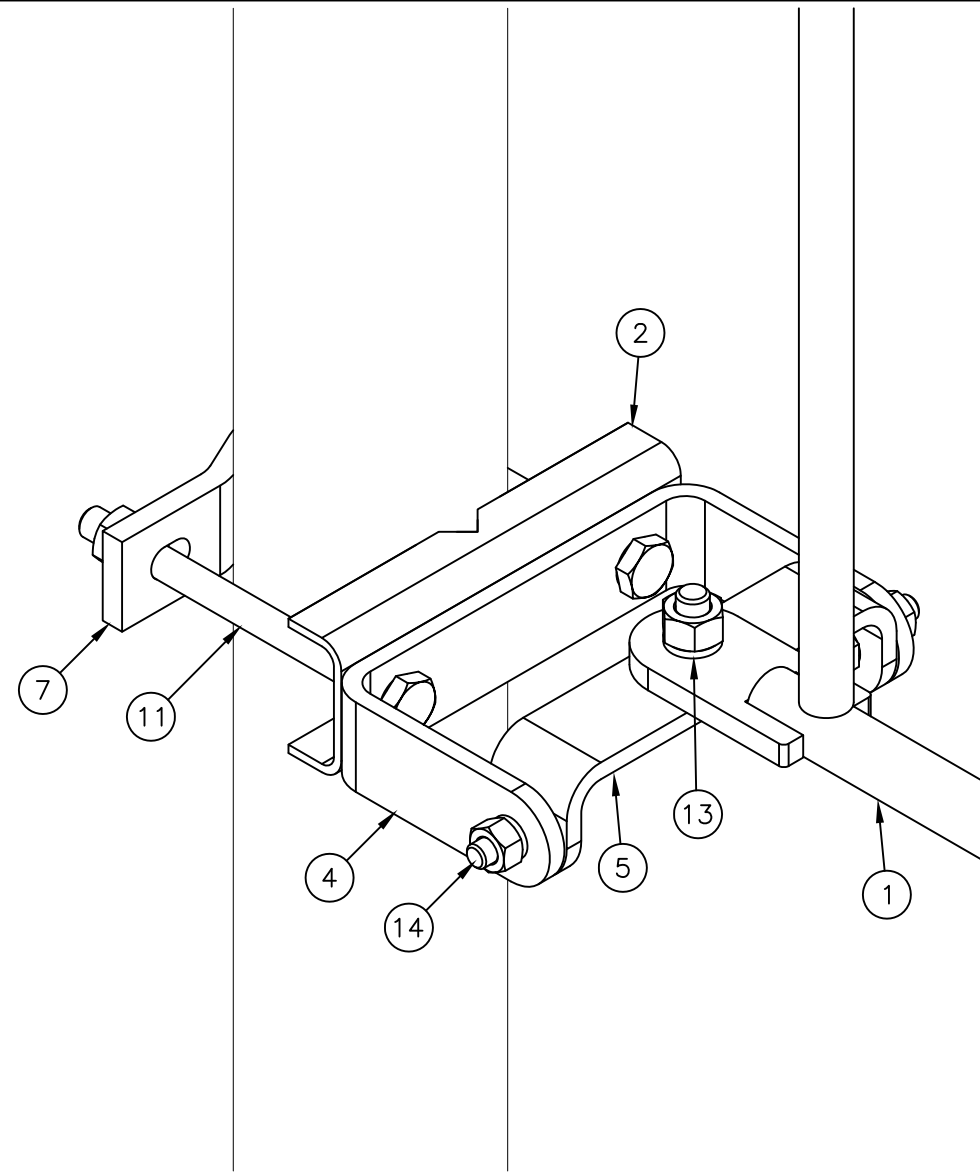
UNLESS OTHERWISE SPECIFIED ALL DIMENSIONS INCLUDE FINISHES AND ARE IN INCHES			MATERIAL:		
TOLERANCES: FRACTIONS \pm 1/16"			TOLERANCES DO NOT APPLY TO RAW MATERIAL		
ANGLES \pm 1/2 DEG.					
DECIMALS \pm .010"					
REV	DATE	DRW	CHK	DESCRIPTION	
4	7/14/15	KLE	EK	REVISED ITEM 3 (QTY. WAS 2)	
3	4/5/10	MLC	MC	REVISED PART NUMBER OF ITEM 6	
2	2/25/10	MLC	MC	ADDED KIT NUMBER	
1	1/28/10	MLC	MC	REDRAWN IN AUTODAD	

CONFIDENTIAL
This document and the information contained herein is the confidential trade secret property of Sabre Communications Corporation ("Sabre") and must not be reproduced, copied or used, in whole or in part, for any purpose without the prior written consent of Sabre.
© 2010 Sabre Communications Corporation. All rights reserved.

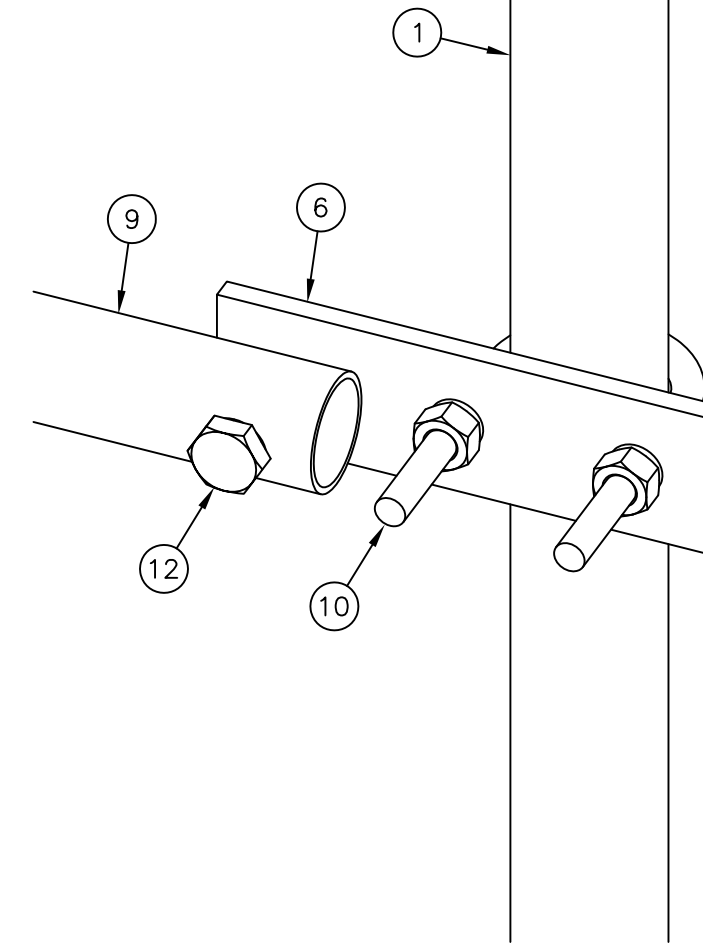
4' SIDEARM W/TIEBACK				
DATE	10/23/09	SIZE	DRAWING NO.	REV
DRAWN BY	JV	B	C10151904	4
CHECKED BY		SCALE	PAGE	
		None	1 OF 2	



DETAIL "A"



DETAIL "B"



DETAIL "C"

UNLESS OTHERWISE SPECIFIED
ALL DIMENSIONS INCLUDE
FINISHES AND ARE IN INCHES

TOLERANCES: FRACTIONS $\pm 1/16"$
ANGLES $\pm 1/2$ DEG.
DECIMALS $\pm .010"$

MATERIAL:

TOLERANCES DO NOT APPLY
TO RAW MATERIAL



4' SIDEARM W/TIEBACK

REV	DATE	DRW	CHK	DESCRIPTION
4	7/14/15	KLE	EK	REVISED ITEM 3 (QTY. WAS 2)
3	4/5/10	MLC	MC	REVISED PART NUMBER OF ITEM 6
2	2/25/10	MLC	MC	ADDED KIT NUMBER
1	1/13/10	MLC	MC	REDRAWN IN AUTODAD

CONFIDENTIAL

This document and the information contained herein is the confidential trade secret property of Sabre Communications Corporation ("Sabre") and must not be reproduced, copied or used, in whole or in part, for any purpose without the prior written consent of Sabre.

© 2010 Sabre Communications Corporation. All rights reserved.

DATE	10/23/09	SIZE B	DRAWING NO. C10151904	REV 4
DRAWN BY	JV			
CHECKED BY		SCALE None	PAGE 2 OF 2	