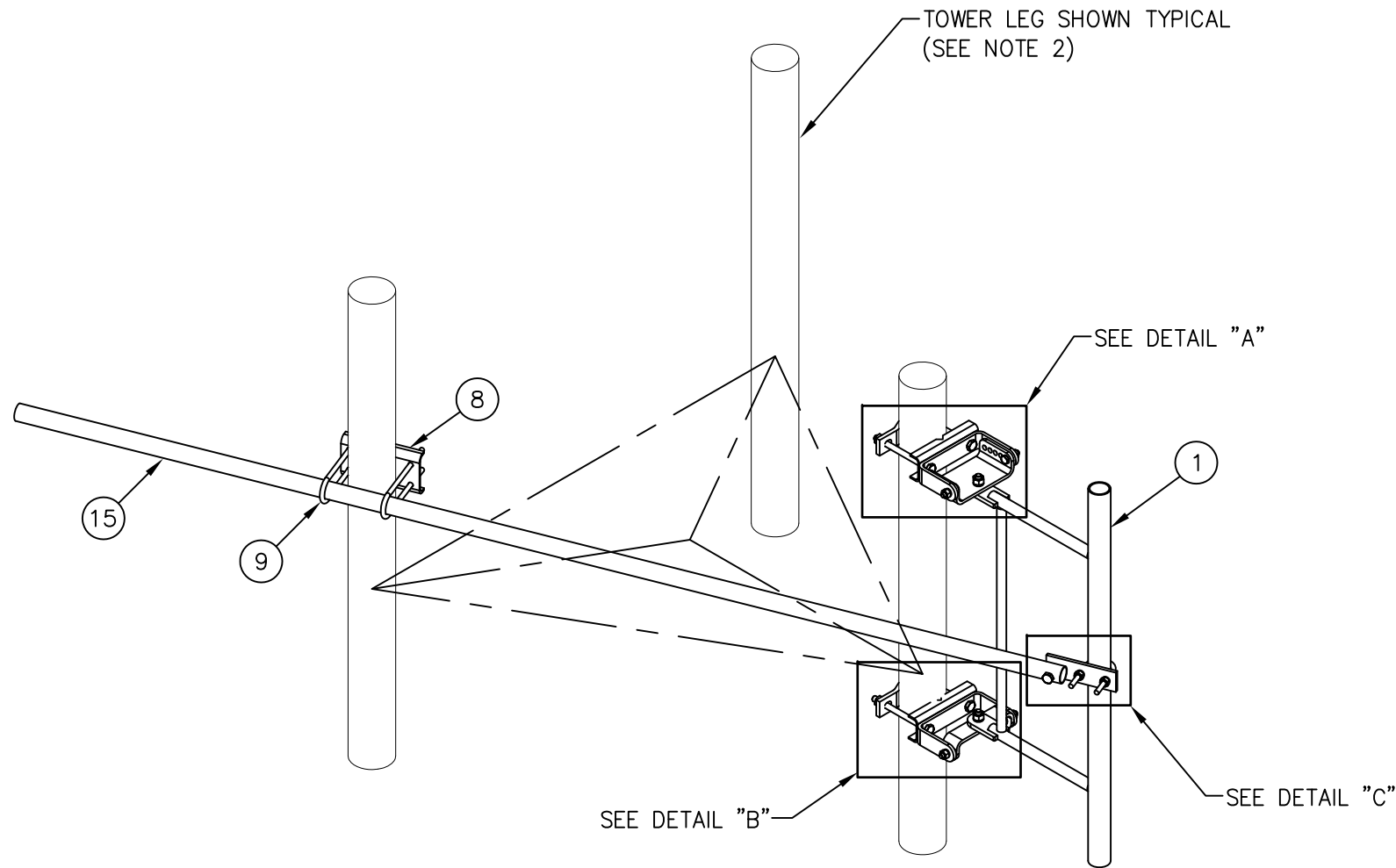




C10151902 2' SIDARM W/TIEBACK

|              |         |                        |     |
|--------------|---------|------------------------|-----|
| (1)          | CK00115 | 2' SIDARM KIT          | 81  |
| (1)          |         | MISCELLANEOUS MATERIAL | 23  |
| TOTAL WEIGHT |         |                        | 104 |



ISOMETRIC VIEW

| CK00115 2' SIDARM KIT |      |           |   |        |
|-----------------------|------|-----------|---|--------|
| ITEM                  | QTY. | PART NO.  | DESCRIPTION                                   | WEIGHT |
| 1.                    | 1    | CW00868   | WELDMENT, 2' SIDARM                           | 35     |
| 2.                    | 2    | CS02155   | CHANNEL, LEG MOUNTING                         | 5      |
| 3.                    | 1    | CS02156   | PLATE, AZIMUTH ADJUSTMENT SIDARM              | 6      |
| 4.                    | 2    | CS02157   | PLATE, SIDARM PIVOT                           | 8      |
| 5.                    | 1    | CS02158   | PLATE, SIDARM PIVOT                           | 3      |
| 6.                    | 1    | CS02159   | FLAT, TIEBACK                                 | 2      |
| 7.                    | 2    | CS00144   | 2 HOLE PIPE ADAPTER CLAMP (1 1/2" TO 5" O.D.) | 5      |
| 8.                    | 1    | CS01909   | PLATE, TIEBACK SUPPORT                        | 4      |
| 9.                    | 2    | C40034081 | U-BOLT ASSEMBLY, 1/2" X 2 9/16 C-C            | 3      |
| 10.                   | 1    | C40034014 | U-BOLT ASSEMBLY, 1/2" X 2 15/16 C-C           | 1      |
| 11.                   | 4    | C40140004 | BOLT ASSEMBLY, 5/8 X 8 A307 (FULL THREAD)     | 6      |
| 12.                   | 1    | C40026029 | BOLT ASSEMBLY, 5/8 X 3 1/2 A325               | 1      |
| 13.                   | 2    | C40026023 | BOLT ASSEMBLY, 5/8 X 2 A325                   | 1      |
| 14.                   | 4    | C40026004 | BOLT ASSEMBLY, 1/2 X 1 3/4 A325               | 1      |
| TOTAL WEIGHT          |      |           |   | 81     |

| MISCELLANEOUS MATERIAL |      |          |               |        |
|------------------------|------|----------|---------------|--------|
| ITEM                   | QTY. | PART NO. | DESCRIPTION   | WEIGHT |
| 15.                    | 1    | CS01910  | PIPE, TIEBACK | 23     |
| TOTAL WEIGHT           |      |          |               | 23     |

NOTES:

- QUANTITIES SHOWN IN LISTS OF MATERIAL ARE FOR ONE (1) SIDARM ONLY.
- THIS SIDARM WILL MOUNT TO THE FOLLOWING:  
- 1 1/2"  $\phi$  TO 5"  $\phi$  ROUND LEG

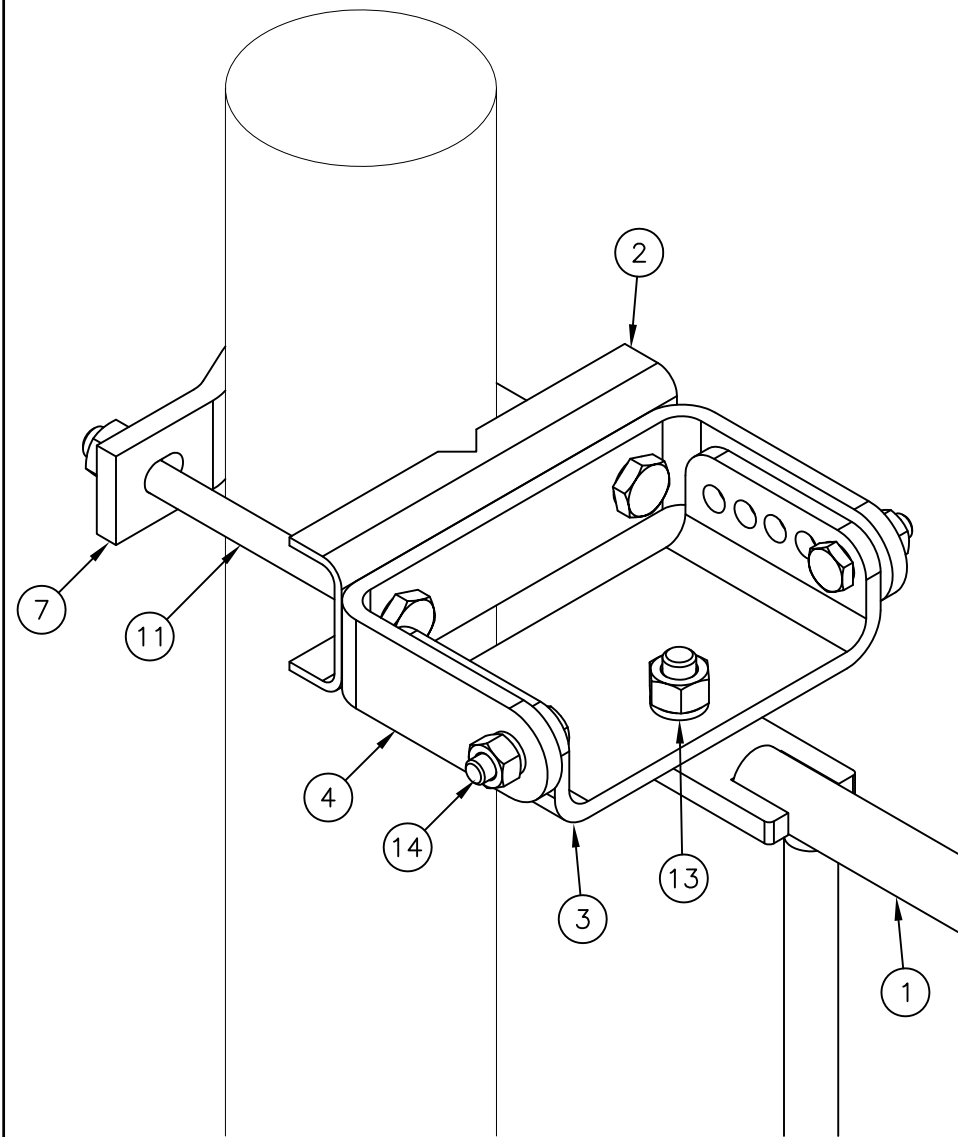
|  |         |  |     |
|--|---------|--|-----|
| UNLESS OTHERWISE SPECIFIED<br>ALL DIMENSIONS INCLUDE<br>FINISHES AND ARE IN INCHES |         | MATERIAL:                                  |     |
| TOLERANCES: FRACTIONS $\pm 1/16"$<br>ANGLES $\pm 1/2$ DEG.<br>DECIMALS $\pm .010"$ |         | TOLERANCES DO NOT APPLY<br>TO RAW MATERIAL |     |
| REV  | DATE    | DRW  | CHK |
| 4  | 7/14/15 | KLE  | EK  |
| 3  | 4/5/10  | MLC  | MC  |
| 2  | 2/24/10 | MLC  | MC  |
| 1  | 1/13/10 | MLC  | MC  |



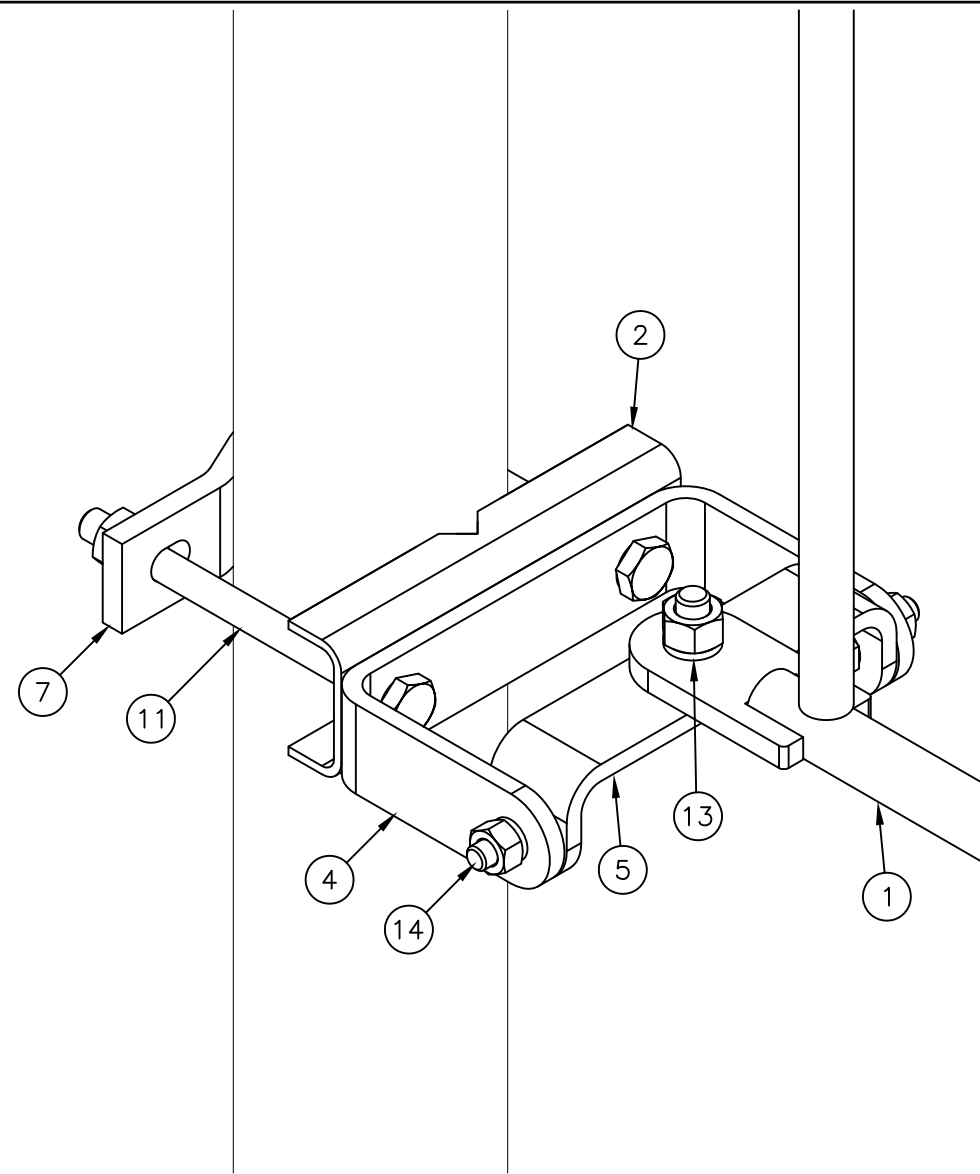
**CONFIDENTIAL**  
This document and the information contained herein is the confidential trade secret property of Sabre Communications Corporation ("Sabre") and must not be reproduced, copied or used, in whole or in part, for any purpose without the prior written consent of Sabre.  
© 2010 Sabre Communications Corporation. All rights reserved.

2' SIDARM W/TIEBACK

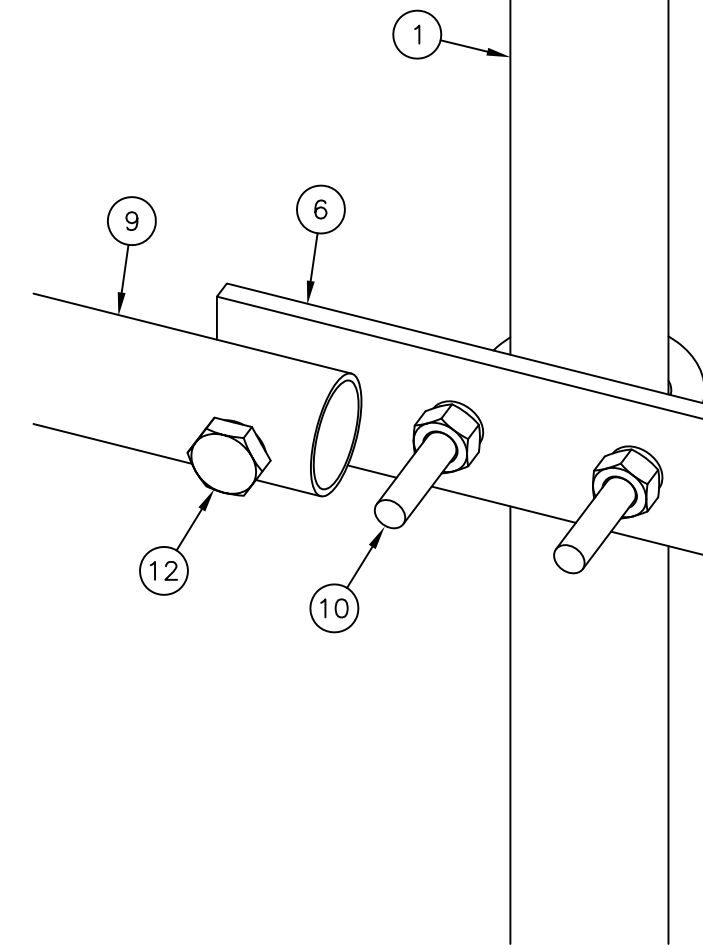
|            |         |           |                          |       |      |
|------------|---------|-----------|--------------------------|-------|------|
| DATE       | 8/31/09 | SIZE<br>B | DRAWING NO.<br>C10151902 | REV   | 4    |
| DRAWN BY   | JV      |           |                          | SCALE | PAGE |
| CHECKED BY |         | None      | 1 OF 2                   |       |      |



DETAIL "A"




DETAIL "B"



DETAIL "C"

|  |         |     |  |                               |  |
|--|---------|-----|--|-------------------------------|--|
| UNLESS OTHERWISE SPECIFIED<br>ALL DIMENSIONS INCLUDE<br>FINISHES AND ARE IN INCHES |         |     | MATERIAL:                                  |                               |  |
| TOLERANCES: FRACTIONS $\pm 1/16"$<br>ANGLES $\pm 1/2$ DEG.<br>DECIMALS $\pm .010"$ |         |     | TOLERANCES DO NOT APPLY<br>TO RAW MATERIAL |                               |  |
| REV  | DATE    | DRW | CHK  | DESCRIPTION                   |  |
| 4  | 7/14/15 | KLE | EK   | REVISED ITEM 3 (QTY. WAS 2)   |  |
| 3  | 4/5/10  | MLC | MC   | REVISED PART NUMBER OF ITEM 6 |  |
| 2  | 2/24/10 | MLC | MC   | ADDED KIT NUMBER              |  |
| 1  | 1/13/10 | MLC | MC   | REDRAWN IN AUTODAD            |  |



**CONFIDENTIAL**  
This document and the information contained herein is the confidential trade secret property of Sabre Communications Corporation ("Sabre") and must not be reproduced, copied or used, in whole or in part, for any purpose without the prior written consent of Sabre.  
© 2010 Sabre Communications Corporation. All rights reserved.

|                      |  |         |               |                          |          |
|----------------------|--|---------|---------------|--------------------------|----------|
| 2' SIDEARM W/TIEBACK |  |         |               |                          |          |
| DATE                 |  | 8/31/09 | SIZE<br>B     | DRAWING NO.<br>C10151902 | REV<br>4 |
| DRAWN BY             |  | JV      |               |                          |          |
| CHECKED BY           |  |         | SCALE<br>None | PAGE<br>2 OF 2           |          |