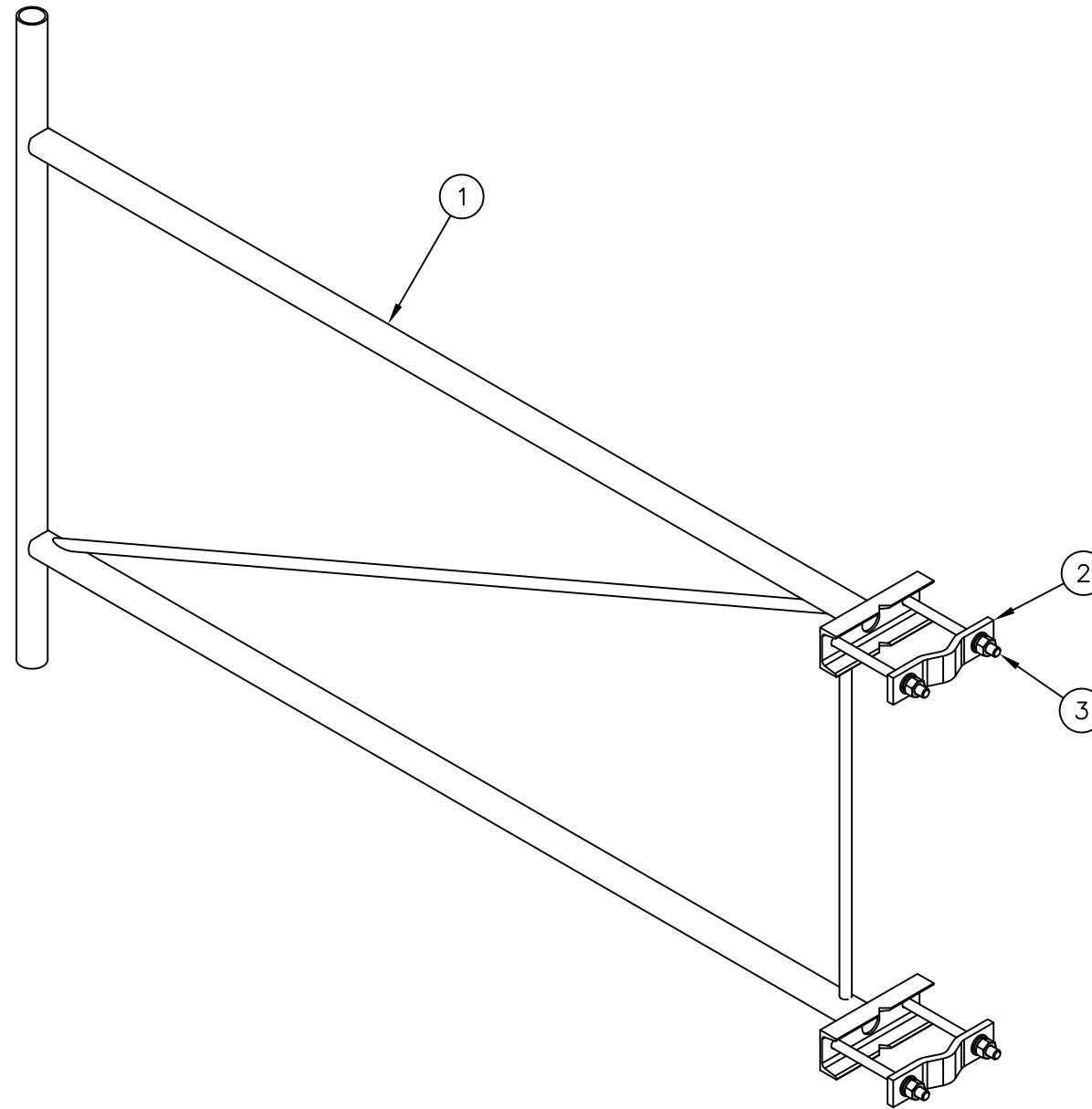




LIST OF MATERIAL

| ITEM | QTY. | PART NO. | DESCRIPTION | WEIGHT |
|------|------|-----------|--|--------|
| 1. | 1 | CW00878 | WELDMENT, 6' STANDOFF | 63 |
| 2. | 2 | CS00144 | 2 HOLE PIPE ADAPTER CLAMP 1 1/2" TO 5" O.D. | 5 |
| 3. | 4 | C40140004 | BOLT ASSEMBLY, 5/8 ϕ X 8 A307 FT W/ N, LW, FW | 4 |
| | | | TOTAL WEIGHT | 72 |



UNLESS OTHERWISE SPECIFIED
ALL DIMENSIONS INCLUDE
FINISHES AND ARE IN INCHES
TOLERANCES: FRACTIONS $\pm 1/16"$
ANGLES $\pm 1/2$ DEG.
DECIMALS $\pm .010"$

MATERIAL:
TOLERANCES DO NOT APPLY
TO RAW MATERIAL



CONFIDENTIAL
This document and the information
contained herein is the confidential trade
secret property of Sabre Communications
Corporation ("Sabre") and must not be
reproduced, copied or used, in whole or in
part, for any purpose without the prior
written consent of Sabre.
© 2010 Sabre Communications Corporation.
All rights reserved.

ASSEMBLY, 6' STANDOFF
(1 1/4" ϕ - 5" ϕ LEGS)

| REV | DATE | DRW | CHK | DESCRIPTION |
|-----|---------|-----|-----|--------------------|
| 1 | 1/25/10 | WMN | WN | REDRAWN IN AUTOCAD |

| DATE | 11/4/09 | SIZE | B | DRAWING NO. | C10151205 | REV | 1 |
|----------|---------|------------|-----|-------------|-----------|------|--------|
| DRAWN BY | JV | CHECKED BY | WMN | SCALE | None | PAGE | 1 OF 1 |