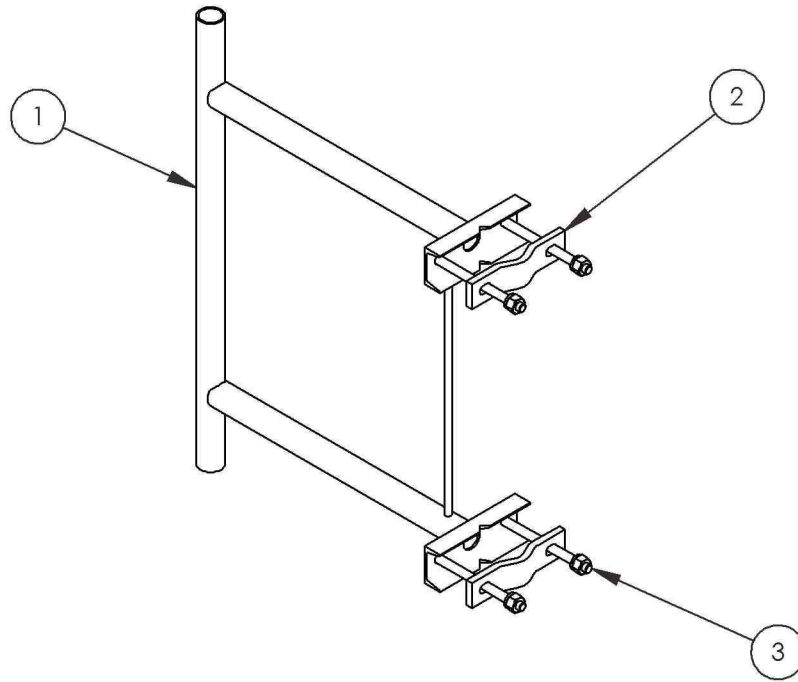


ITEM NO.	QTY.	PART NO.	DESCRIPTION	WEIGHT	TOTAL WEIGHT	TOTAL GALVANIZED WEIGHT
1	1	CW00677	WELDMENT, 2' STANDOFF	25.22	30.42	31.64
2	2	CS00144	2 HOLE PIPE ADAPTER CLAMP	2.36		
3	4	C40140004	BOLT ASSEMBLY A307 5/8"-11 X 8" FULL THREAD Galv	0.12		



UNLESS OTHERWISE SPECIFIED  
ALL DIMENSIONS INCLUDE  
FINISHES AND ARE IN INCHES

TOLERANCES: FRACTIONAL  $\pm 1/16"$   
ANGULAR:  $\pm 1/2^\circ$   
DECIMAL  $\pm .010"$

MATERIAL:

TOLERANCES DO NOT APPLY  
TO RAW MATERIAL



TITLE:

ASSEMBLY, 2' STANDOFF

REV	DATE	DRW	CHK	DESCRIPTION

**CONFIDENTIAL**

This document and the information contained herein is the confidential trade secret property of Sabre Communication Corporation ("Sabre") and must not be reproduced, copied or used, in whole or in part, for any purpose without the prior written consent of Sabre. ©2008 Sabre Communications Corporation. All rights reserved.

DATE	6/17/2008	SIZE	DWG. NO.	REV
DRAWN BY	JV	<b>A</b>	<b>C10151201</b>	0
CHECKED BY			SCALE:	PAGE:
			1:12	1 OF 1