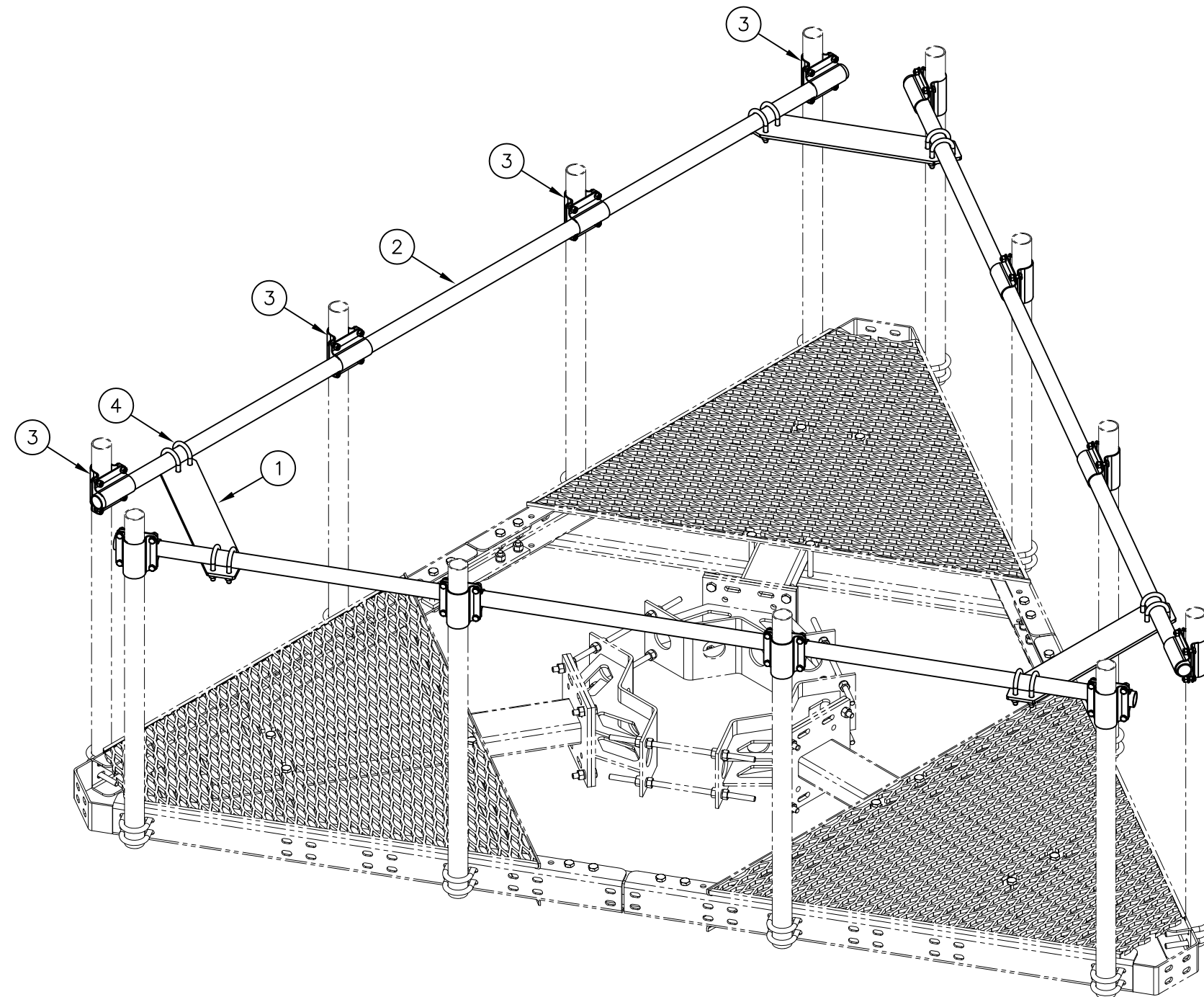




C10116910 10' LOW PROFILE PLATFORM HANDRAIL KIT

ITEM	QTY.	PART NO.	DESCRIPTION	WEIGHT
1.	3	CS01533	PLATE, HANDRAIL SUPPORT	38
2.	3	C10919126	PIPE, 1.90" O.D. (.145" WALL) X 10'-6"	89
3.	12	C40204100	CROSSOVER CLAMP (1.90" O.D. TO 2 3/8" O.D.)	48
4.	12	C40034060	U-BOLT ASSEMBLY, 1/2 Ø X 2 9/16" C/C	9
TOTAL WEIGHT				184



THERE ARE ENOUGH CLAMPS SUPPLIED TO ACCOMMODATE (12) ANTENNA MOUNTING PIPES - (4) PER FACE

ANTENNA MOUNTING PIPES TO BE PURCHASED SEPARATELY

ISOMETRIC VIEW

UNLESS OTHERWISE SPECIFIED
ALL DIMENSIONS INCLUDE
FINISHES AND ARE IN INCHES
TOLERANCES: FRACTIONS ± 1/16"
ANGLES ± 1/2 DEG.
DECIMALS ± .010"

MATERIAL:
TOLERANCES DO NOT APPLY
TO RAW MATERIAL



10' LOW PROFILE PLATFORM HANDRAIL KIT
(10'-0" MAXIMUM ANTENNA SEPARATION)
NO ANTENNA MOUNTING PIPES

REV	DATE	DRW/CHK	DESCRIPTION

CONFIDENTIAL
This document and the information contained herein is the confidential trade secret property of Sabre Communications Corporation ("Sabre") and must not be reproduced, copied or used, in whole or in part, for any purpose without the prior written consent of Sabre.
© 2014 Sabre Communications Corporation. All rights reserved.

DATE	12/08/14	SIZE B	DRAWING NO. C10116910	REV	0
DRAWN BY	WRF			SCALE	PAGE
CHECKED BY	DLW	None	1 OF 1		