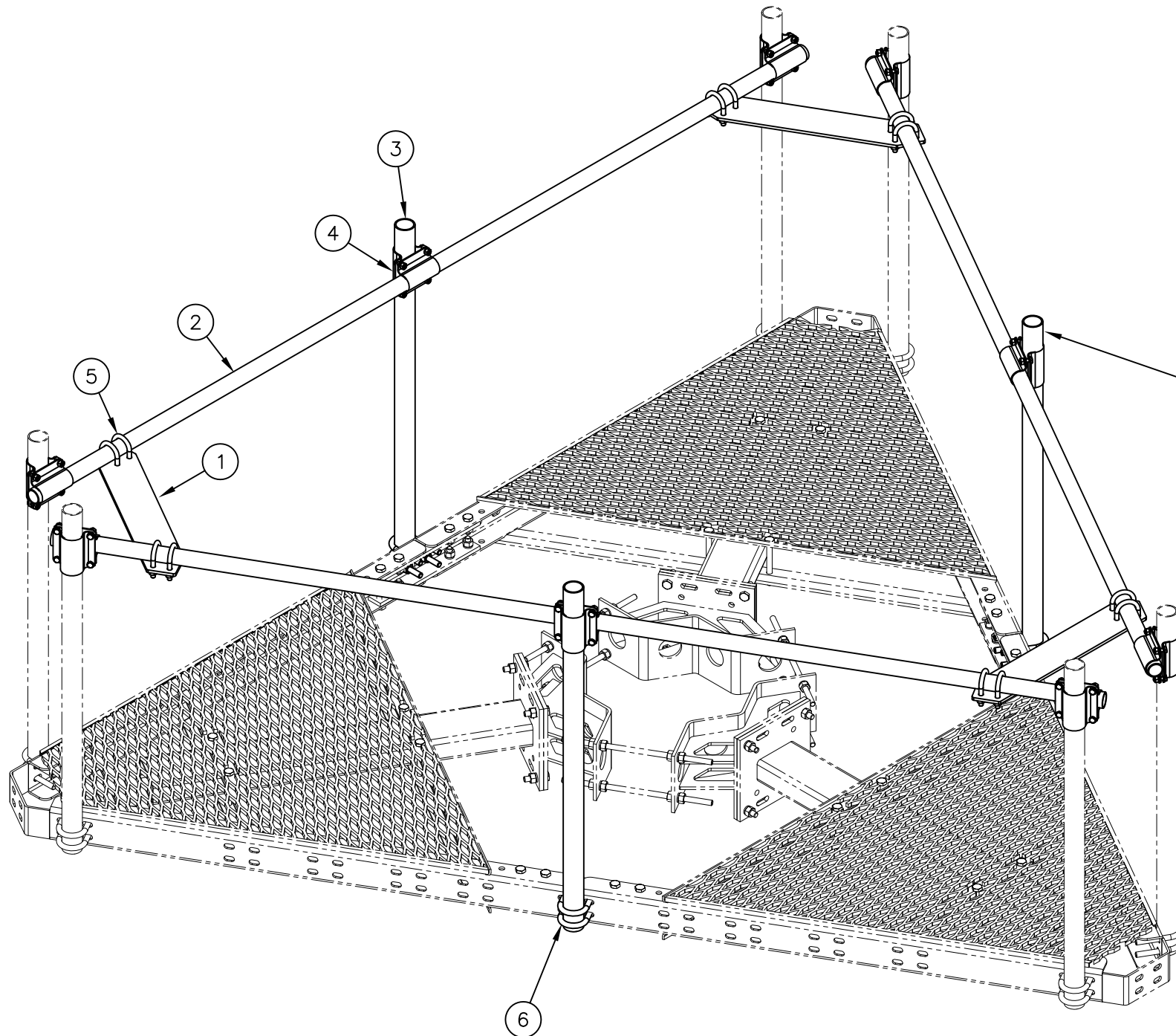




C10116812 10' LOW PROFILE PLATFORM HANDRAIL KIT

ITEM	QTY.	PART NO.	DESCRIPTION	WEIGHT
1.	3	CS01533	PLATE, HANDRAIL SUPPORT	38#
2.	3	C10919126	PIPE, 1.90" O.D. (.145" WALL) X 10'-6"	89#
3.	3	C10981204	PIPE, 2 3/8" O.D. (.134" WALL) X 4'-0"	38#
4.	12	C40204100	CROSSOVER CLAMP (1.90" O.D. TO 2 3/8" O.D.)	48#
5.	12	C40034060	U-BOLT ASSEMBLY, 1/2 ϕ X 2 9/16" C/C	9#
6.	6	C40034023	U-BOLT ASSEMBLY, 5/8 ϕ X 3 1/16" C/C	10#
TOTAL WEIGHT				232#



THIS PIPE MAY BE REPLACED WITH A LONGER PIPE IF NEEDED FOR ANTENNA MOUNTING (NOT REQ'D WITH 3 OR MORE MOUNTING PIPES PER FACE)

THERE ARE ENOUGH CLAMPS SUPPLIED TO ACCOMMODATE (12) ANTENNA MOUNTING PIPES - (4) PER FACE

ANTENNA MOUNTING PIPES TO BE PURCHASED SEPARATELY

ISOMETRIC VIEW

UNLESS OTHERWISE SPECIFIED
ALL DIMENSIONS INCLUDE
FINISHES AND ARE IN INCHES

TOLERANCES: FRACTIONS $\pm 1/16"$
ANGLES $\pm 1/2$ DEG.
DECIMALS $\pm .010"$

MATERIAL:

TOLERANCES DO NOT APPLY
TO RAW MATERIAL



10' LOW PROFILE PLATFORM HANDRAIL KIT
(10'-0" MAXIMUM ANTENNA SEPARATION)

REV	DATE	DRW/CHK	DESCRIPTION
4	3/4/09	MLC/MC	REVISED QUANTITY OF ITEM 4
3	1/15/09	MLC/MC	REVISED PIPE (ITEM 3)
2	6/5/08	MLC/MC	REVISED ITEM 4
1	10/11/07	MLC/MC	REVISED PLATFORM DESIGN

CONFIDENTIAL

This document and the information contained herein is the confidential trade secret property of Sabre Communications Corporation ("Sabre") and must not be reproduced, copied or used, in whole or in part, for any purpose without the prior written consent of Sabre.

© 2014 Sabre Communications Corporation. All rights reserved.

DATE	7/19/07	SIZE	DRAWING NO.	REV
DRAWN BY	MLC	B	C10116812	4
CHECKED BY	MC	SCALE	None	PAGE
				1 OF 1