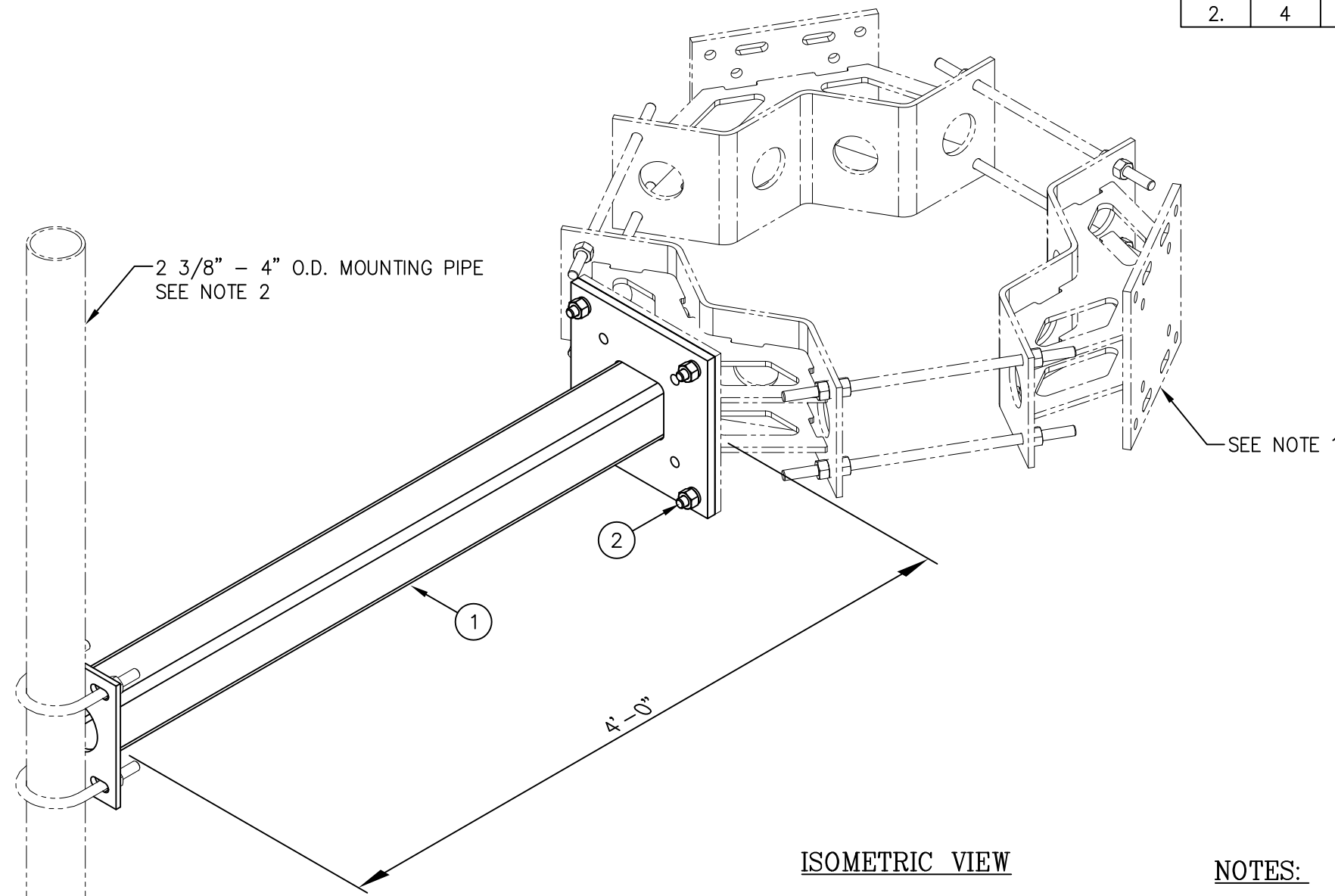




C10114004 4'-0 STANDOFF ARM

ITEM	QTY.	PART NO.	DESCRIPTION	WEIGHT
1.	1	CW00019	WELDMENT, 4'-0 STANDOFF ARM	76
2.	4	C40026025	BOLT ASSEMBLY, 5/8 ϕ X 2 1/2 A325	2
TOTAL WEIGHT				78



ISOMETRIC VIEW

NOTES:

1. TRI-COLLAR MOUNTS ARE SHOWN TYPICAL AND MUST BE PURCHASED SEPARATELY.
2. 2 3/8" TO 4" O.D. MOUNTING PIPE & U-BOLTS MUST BE PURCHASED SEPARATELY.
3. QUANTITIES SHOWN ARE FOR ONE (1) STANDOFF ARM.

UNLESS OTHERWISE SPECIFIED
ALL DIMENSIONS INCLUDE
FINISHES AND ARE IN INCHES
TOLERANCES: FRACTIONS $\pm 1/16"$
ANGLES $\pm 1/2$ DEG.
DECIMALS $\pm .010"$

MATERIAL:
TOLERANCES DO NOT APPLY
TO RAW MATERIAL



4'-0 STANDOFF ARM

REV	DATE	DRW/CHK	DESCRIPTION

CONFIDENTIAL
This document and the information
contained herein is the confidential trade
secret property of Sabre Communications
Corporation ("Sabre") and must not be
reproduced, copied or used, in whole or in
part, for any purpose without the prior
written consent of Sabre.
© 2014 Sabre Communications Corporation.
All rights reserved.

DATE	07/11/06	SIZE B	DRAWING NO. C10114004	REV 0
DRAWN BY	WRF			SCALE None
CHECKED BY	WMN			