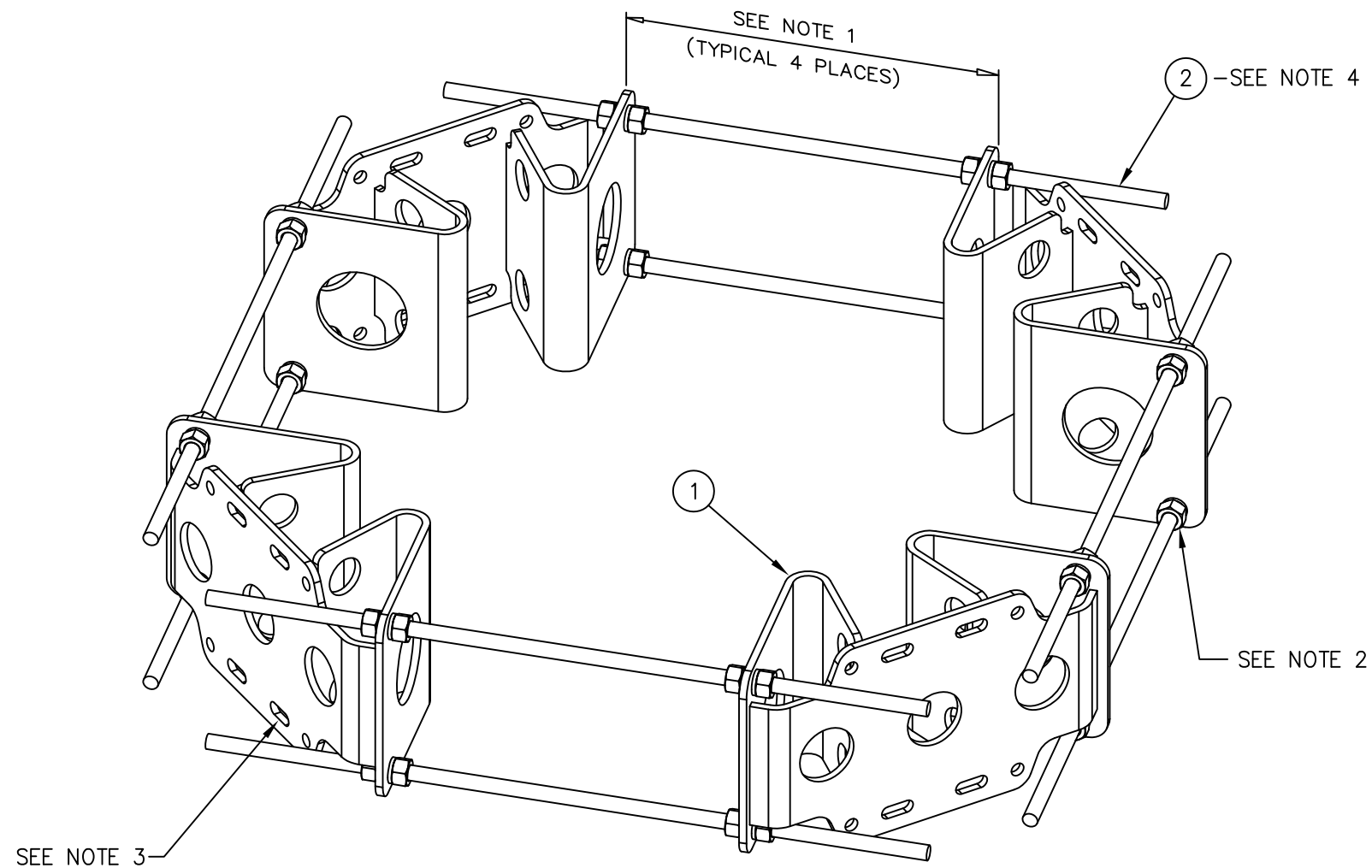




C10110300 QUAD-COLLAR ASSEMBLY (12"-52" MONOPOLE)

ITEM	QTY.	PART. NO.	DESCRIPTION	WEIGHT
1.	4	CW00861	WELDMENT, QUAD-COLLAR (12"-52" MONOPOLE)	206
2.	8	C40094011	THREADED ROD ASSEMBLY 3/4 X 3'-0"	34
TOTAL WEIGHT				240



ISOMETRIC VIEW

NOTES:

1. THIS DISTANCE MUST BE EQUAL IN ALL (4) FOUR LOCATIONS TO ENSURE THE STRUCTURAL INTEGRITY OF THE THREADED RODS AS WELL AS 90° SEPARATION.
2. FOR MONOPOLES 13" DIA. OR SMALLER, ONLY (1) ONE NUT AND (1) ONE LOCKWASHER ARE REQUIRED BETWEEN THE QUAD-COLLAR BRACKETS. FOR MONOPOLES LARGER THAN 13" DIA., (2) TWO NUTS AND (2) TWO LOCKWASHERS ARE REQUIRED BETWEEN THE QUAD-COLLAR BRACKETS.
3. THE MOUNTING SLOTS WILL ACCOMODATE 2 3/8"-4 1/2" O.D. PIPE.
4. THREADED ROD MAY BE SHORTENED IF REQUIRED.

UNLESS OTHERWISE SPECIFIED
ALL DIMENSIONS INCLUDE
FINISHES AND ARE IN INCHES
TOLERANCES: FRACTIONS ± 1/16"
ANGLES ± 1/2 DEG.
DECIMALS ± .010"

MATERIAL:
TOLERANCES DO NOT APPLY
TO RAW MATERIAL



QUAD-COLLAR BRACKET ASSEMBLY
FOR MONOPOLES (12"-52" DIA.)
(CIRCUMFERENCE 37 11/16" TO 165 7/8")

REV	DATE	DRW	CHK	DESCRIPTION
1	1/6/10	MLC	MC	REDRAWN IN AUTOCAD

CONFIDENTIAL
This document and the information
contained herein is the confidential trade
secret property of Sabre Communications
Corporation ("Sabre") and must not be
reproduced, copied or used, in whole or in
part, for any purpose without the prior
written consent of Sabre.
© 2011 Sabre Communications Corporation.
All rights reserved.

DATE	8/24/09	SIZE	B	DRAWING NO.	C10110300	REV	1
DRAWN BY	JV	CHECKED BY		SCALE	None	PAGE	1 OF 1