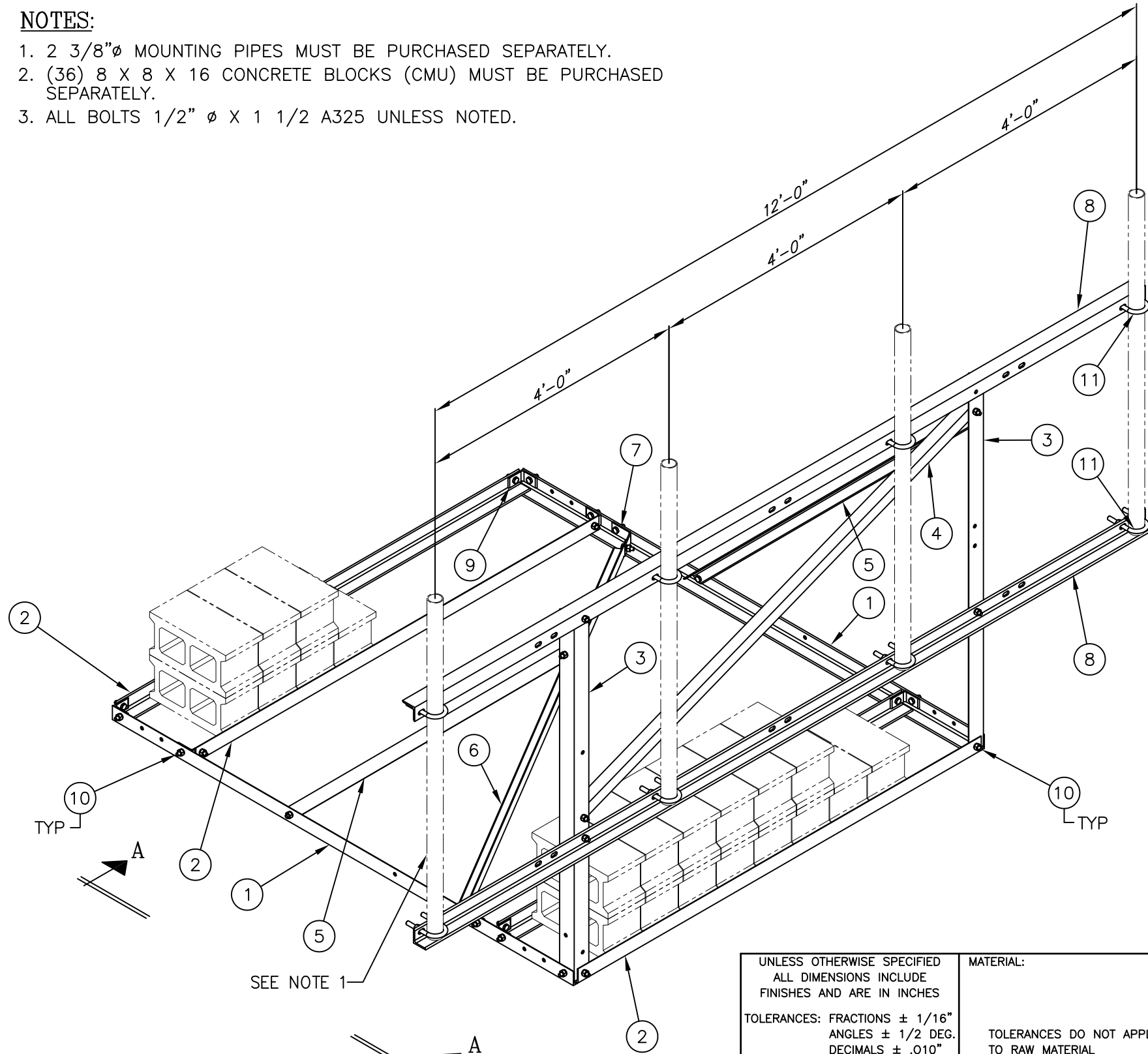




**NOTES:**

1. 2 3/8"Ø MOUNTING PIPES MUST BE PURCHASED SEPARATELY.
2. (36) 8 X 8 X 16 CONCRETE BLOCKS (CMU) MUST BE PURCHASED SEPARATELY.
3. ALL BOLTS 1/2" Ø X 1 1/2 A325 UNLESS NOTED.



**C10223102 12 FT. FACE SECTOR ROOF MOUNT**

(1)	CK00081	SECTOR ROOF MOUNT ANGLE KIT	255
(1)	CK00020	SECTOR ROOF MOUNT 12' FACE ANGLE KIT	107
(1)	CK00017	ROOF MOUNT ANGLE KIT	3
(1)	---	MISC. ITEMS AND HARDWARE LIST	21
<b>TOTAL WEIGHT</b>			<b>386</b>

**CK00081 KIT LIST OF MATERIAL**

ITEM	QTY.	PART. NO.	DESCRIPTION	WEIGHT
1.	2	CS00100	ANGLE, SIDE	50
2.	4	CS00101	ANGLE, BALLAST	88
3.	2	CS00102	ANGLE, FRONT	42
4.	1	CS00104	ANGLE, FRONT DIAGONAL	19
5.	2	CS00105	ANGLE, SIDE DIAGONAL	35
6.	1	CS00106	ANGLE, BOTTOM DIAGONAL	20
7.	2	CS00108	BENT PLATE	1
<b>TOTAL WEIGHT</b>				<b>255</b>

**CK00020 KIT LIST OF MATERIAL**

ITEM	QTY.	PART. NO.	DESCRIPTION	WEIGHT
8.	2	CS00111	ANGLE, PIPE MOUNT	107
<b>TOTAL WEIGHT</b>				<b>107</b>

**CK00017 KIT LIST OF MATERIAL**

ITEM	QTY.	PART. NO.	DESCRIPTION	WEIGHT
9.	6	CS00107	ANGLE, CORNER	3
<b>TOTAL WEIGHT</b>				<b>3</b>

**MISC. ITEMS AND HARDWARE**

ITEM	QTY.	PART. NO.	DESCRIPTION	WEIGHT
10.	30	C40026003	BOLT ASSEMBLY, 1/2 X 1 1/2 A325	8
11.	8	C40034023	U-BOLT ASSEMBLY, 5/8 X 3 1/16 A325	13
<b>TOTAL WEIGHT</b>				<b>21</b>

UNLESS OTHERWISE SPECIFIED  
ALL DIMENSIONS INCLUDE  
FINISHES AND ARE IN INCHES

TOLERANCES: FRACTIONS ± 1/16"  
ANGLES ± 1/2 DEG.  
DECIMALS ± .010"

MATERIAL:

TOLERANCES DO NOT APPLY  
TO RAW MATERIAL



**CONFIDENTIAL**  
This document and the information contained herein is the confidential trade secret property of Sabre Communications Corporation ("Sabre") and must not be reproduced, copied or used, in whole or in part, for any purpose without the prior written consent of Sabre.  
© 2009 Sabre Communications Corporation. All rights reserved.

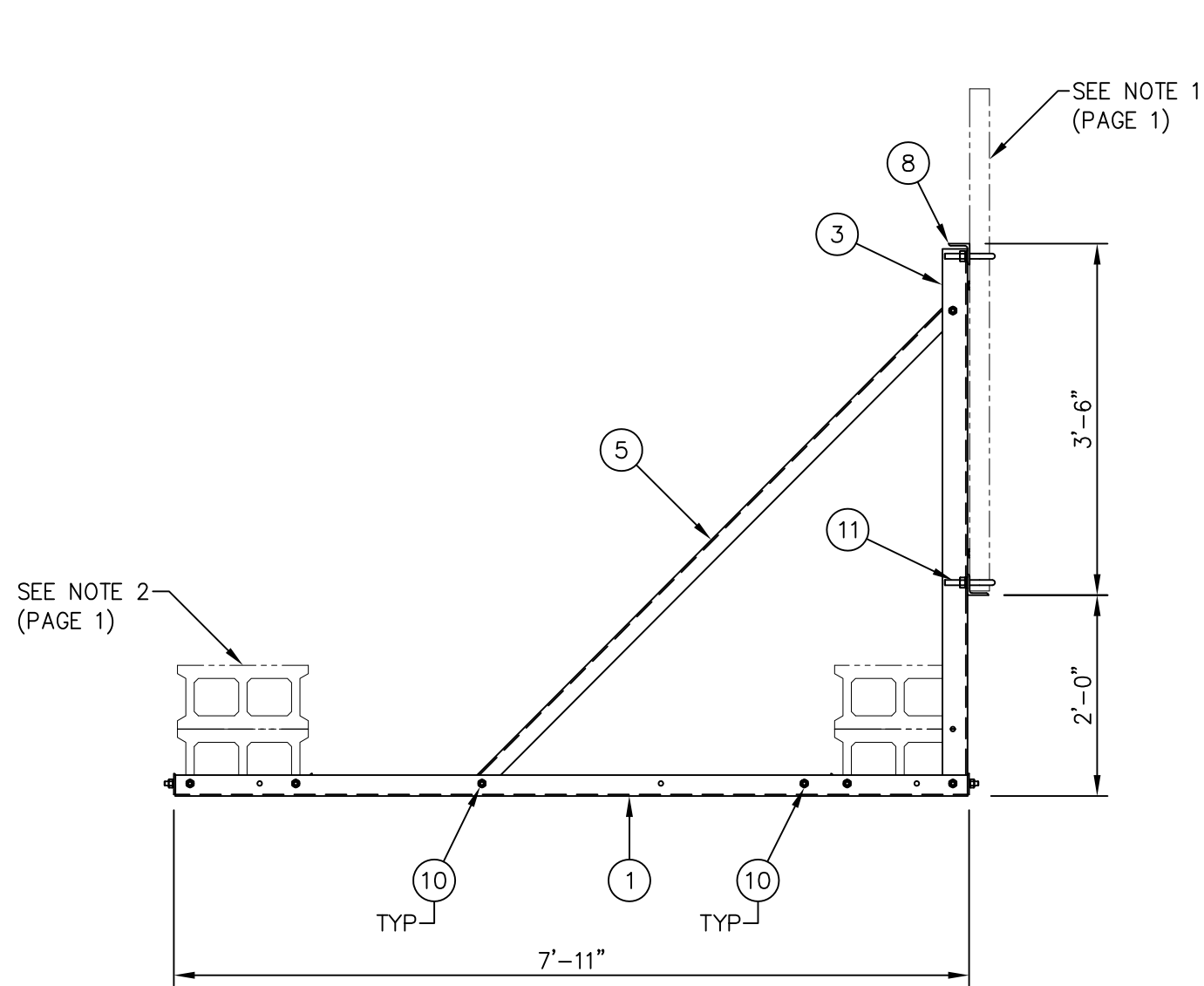
**12 FT. FACE SECTOR ROOF MOUNT  
(NON-PENETRATING)  
W/ANTENNA MOUNTING PIPE HARDWARE  
NO ANTENNA MOUNTING PIPES**

DATE	2/4/09	SIZE <b>B</b>	DRAWING NO. <b>C10223102</b>	REV <b>0</b>
DRAWN BY	MLC			
CHECKED BY	MC	SCALE None	PAGE 1 OF 2	

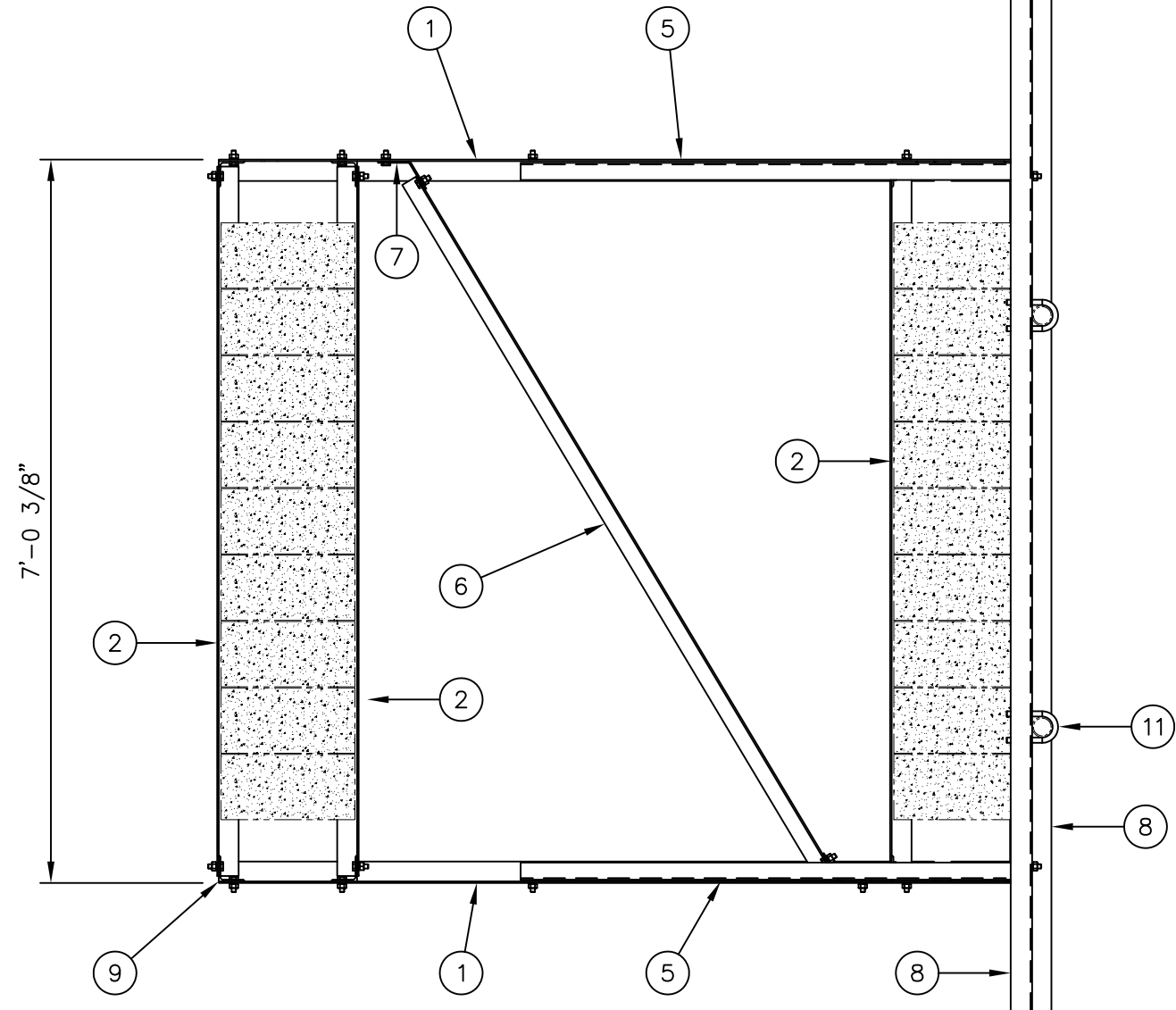
REV	DATE	DRW/CHK	DESCRIPTION

**ISOMETRIC VIEW**

PAGE 2



VIEW A-A



TOP VIEW

UNLESS OTHERWISE SPECIFIED  
ALL DIMENSIONS INCLUDE  
FINISHES AND ARE IN INCHES  
TOLERANCES: FRACTIONS  $\pm 1/16''$   
ANGLES  $\pm 1/2$  DEG.  
DECIMALS  $\pm .010''$

MATERIAL:  
TOLERANCES DO NOT APPLY  
TO RAW MATERIAL



**CONFIDENTIAL**  
This document and the information  
contained herein is the confidential trade  
secret property of Sabre Communications  
Corporation ("Sabre") and must not be  
reproduced, copied or used, in whole or in  
part, for any purpose without the prior  
written consent of Sabre.  
© 2009 Sabre Communications Corporation.  
All rights reserved.

12 FT. FACE SECTOR ROOF MOUNT  
(NON-PENETRATING)  
W/ANTENNA MOUNTING PIPE HARDWARE  
NO ANTENNA MOUNTING PIPES

REV	DATE	DRW/CHK	DESCRIPTION

DATE	2/4/09	SIZE B	DRAWING NO. C10223102	REV 0
DRAWN BY	MLC			
CHECKED BY	MC	SCALE None	PAGE 2 OF 2	